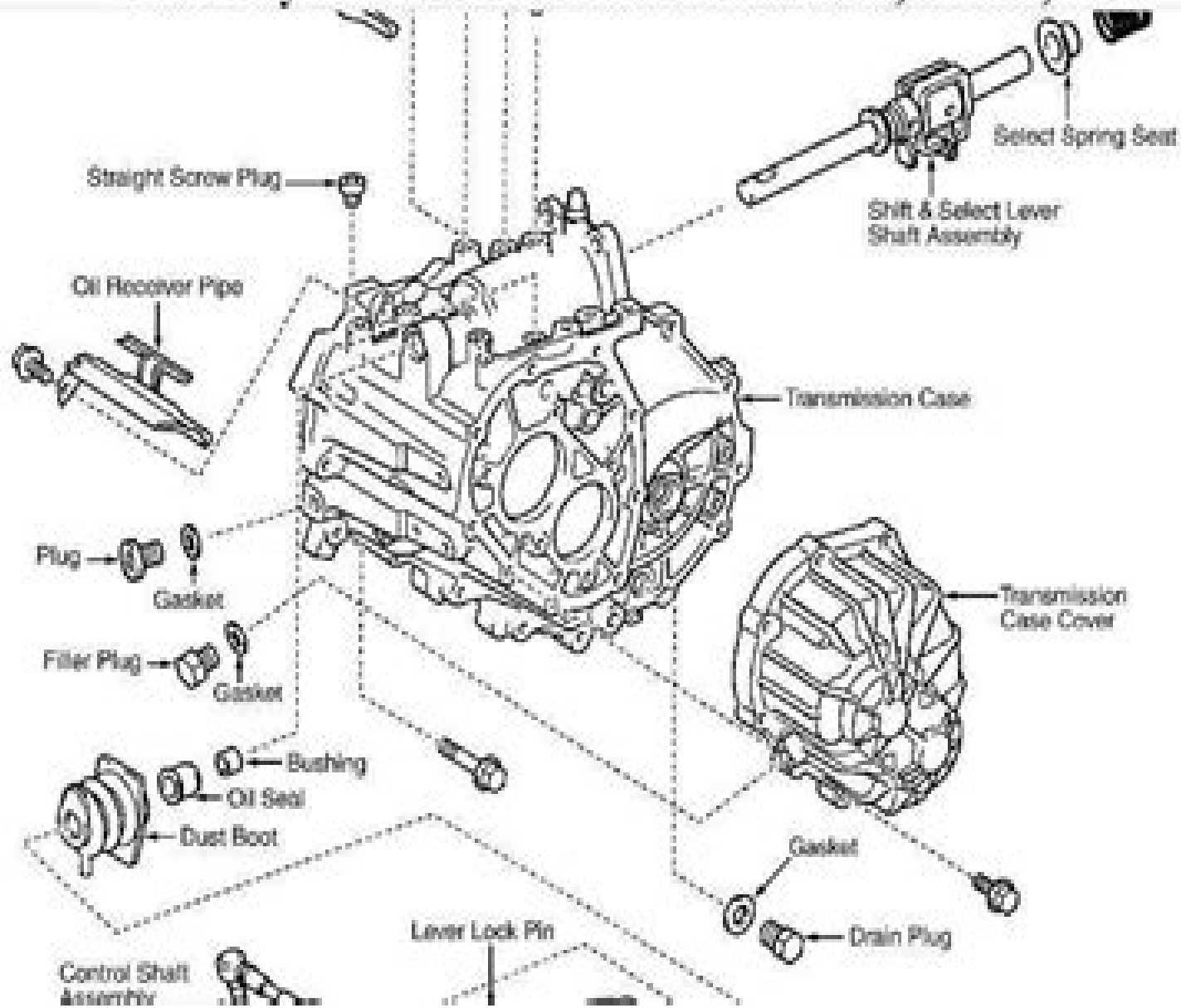


2001 Toyota Celica GT-S

Fig. 1: Exploded View Of Transaxle Assembly External Components
Courtesy of TOYOTA MOTOR SALES, U.S.A., INC.



Toyota Celica Auto Transmission Wiring Diagram

SA Dillow



Toyota Celica Auto Transmission Wiring Diagram:

Mitchell Automatic Transmissions and Transaxles, 1989 Another volume in this practical series for the beginner No bibliography Annotation copyrighted by Book News Inc Portland OR **Toyota Celica Service Manual** Robert Bentley, inc, 1984 Cars & Parts, 1993 *Gale's Auto Sourcebook*, 1992 Guide to information on cars and light trucks

Mitchell Transmission Service & Repair Mitchell, Mitchell Information Services, 1986 *Chilton's Repair & Tune-up Guide, Toyota, 1970 to 1979* Chilton Book Company, Kerry A. Freeman, Richard J. Rivele, John M. Baxter, 1979 **Directions**, 1981 **Japanese Technical Abstracts**, 1987 **Books in Print**, 1994 Scientific and Technical Books and Serials in Print, 1989 **Subject Guide to Books in Print**, 1997 Subject Guide to Children's Books in Print 1997 Bowker Editorial Staff, R R Bowker Publishing, 1996-09 **The Publishers' Trade List Annual**, 1982 *Road and Track*, 1972

Paperbound Books in Print 1995 Reed Reference Publishing, Reference Reed, 1995-12 Paperbound Books in Print, 1991 **Popular Mechanics**, 1985-03 Popular Mechanics inspires instructs and influences readers to help them master the modern world Whether it s practical DIY home improvement tips gadgets and digital technology information on the newest cars or the latest breakthroughs in science PM is the ultimate guide to our high tech lifestyle Reference Services Review, 1973 **Hot Rod**, 1972 Forthcoming Books Rose Army, 1994-04

This is likewise one of the factors by obtaining the soft documents of this **Toyota Celica Auto Transmission Wiring Diagram** by online. You might not require more epoch to spend to go to the books start as skillfully as search for them. In some cases, you likewise complete not discover the revelation Toyota Celica Auto Transmission Wiring Diagram that you are looking for. It will agreed squander the time.

However below, taking into account you visit this web page, it will be fittingly categorically easy to acquire as capably as download guide Toyota Celica Auto Transmission Wiring Diagram

It will not recognize many epoch as we accustom before. You can get it even if comport yourself something else at house and even in your workplace. for that reason easy! So, are you question? Just exercise just what we provide below as without difficulty as review **Toyota Celica Auto Transmission Wiring Diagram** what you as soon as to read!

<https://www.hersolutiongelbuy.com/files/publication/default.aspx/the%20beast%20in%20the%20jungle%20english%20edition.pdf>

Table of Contents Toyota Celica Auto Transmission Wiring Diagram

1. Understanding the eBook Toyota Celica Auto Transmission Wiring Diagram
 - The Rise of Digital Reading Toyota Celica Auto Transmission Wiring Diagram
 - Advantages of eBooks Over Traditional Books
2. Identifying Toyota Celica Auto Transmission Wiring Diagram
 - Exploring Different Genres
 - Considering Fiction vs. Non-Fiction
 - Determining Your Reading Goals
3. Choosing the Right eBook Platform
 - Popular eBook Platforms
 - Features to Look for in an Toyota Celica Auto Transmission Wiring Diagram
 - User-Friendly Interface

4. Exploring eBook Recommendations from Toyota Celica Auto Transmission Wiring Diagram
 - Personalized Recommendations
 - Toyota Celica Auto Transmission Wiring Diagram User Reviews and Ratings
 - Toyota Celica Auto Transmission Wiring Diagram and Bestseller Lists
5. Accessing Toyota Celica Auto Transmission Wiring Diagram Free and Paid eBooks
 - Toyota Celica Auto Transmission Wiring Diagram Public Domain eBooks
 - Toyota Celica Auto Transmission Wiring Diagram eBook Subscription Services
 - Toyota Celica Auto Transmission Wiring Diagram Budget-Friendly Options
6. Navigating Toyota Celica Auto Transmission Wiring Diagram eBook Formats
 - ePub, PDF, MOBI, and More
 - Toyota Celica Auto Transmission Wiring Diagram Compatibility with Devices
 - Toyota Celica Auto Transmission Wiring Diagram Enhanced eBook Features
7. Enhancing Your Reading Experience
 - Adjustable Fonts and Text Sizes of Toyota Celica Auto Transmission Wiring Diagram
 - Highlighting and Note-Taking Toyota Celica Auto Transmission Wiring Diagram
 - Interactive Elements Toyota Celica Auto Transmission Wiring Diagram
8. Staying Engaged with Toyota Celica Auto Transmission Wiring Diagram
 - Joining Online Reading Communities
 - Participating in Virtual Book Clubs
 - Following Authors and Publishers Toyota Celica Auto Transmission Wiring Diagram
9. Balancing eBooks and Physical Books Toyota Celica Auto Transmission Wiring Diagram
 - Benefits of a Digital Library
 - Creating a Diverse Reading Collection Toyota Celica Auto Transmission Wiring Diagram
10. Overcoming Reading Challenges
 - Dealing with Digital Eye Strain
 - Minimizing Distractions
 - Managing Screen Time
11. Cultivating a Reading Routine Toyota Celica Auto Transmission Wiring Diagram
 - Setting Reading Goals Toyota Celica Auto Transmission Wiring Diagram
 - Carving Out Dedicated Reading Time

12. Sourcing Reliable Information of Toyota Celica Auto Transmission Wiring Diagram
 - Fact-Checking eBook Content of Toyota Celica Auto Transmission Wiring Diagram
 - Distinguishing Credible Sources
13. Promoting Lifelong Learning
 - Utilizing eBooks for Skill Development
 - Exploring Educational eBooks
14. Embracing eBook Trends
 - Integration of Multimedia Elements
 - Interactive and Gamified eBooks

Toyota Celica Auto Transmission Wiring Diagram Introduction

Free PDF Books and Manuals for Download: Unlocking Knowledge at Your Fingertips In today's fast-paced digital age, obtaining valuable knowledge has become easier than ever. Thanks to the internet, a vast array of books and manuals are now available for free download in PDF format. Whether you are a student, professional, or simply an avid reader, this treasure trove of downloadable resources offers a wealth of information, conveniently accessible anytime, anywhere. The advent of online libraries and platforms dedicated to sharing knowledge has revolutionized the way we consume information. No longer confined to physical libraries or bookstores, readers can now access an extensive collection of digital books and manuals with just a few clicks. These resources, available in PDF, Microsoft Word, and PowerPoint formats, cater to a wide range of interests, including literature, technology, science, history, and much more. One notable platform where you can explore and download free Toyota Celica Auto Transmission Wiring Diagram PDF books and manuals is the internet's largest free library. Hosted online, this catalog compiles a vast assortment of documents, making it a veritable goldmine of knowledge. With its easy-to-use website interface and customizable PDF generator, this platform offers a user-friendly experience, allowing individuals to effortlessly navigate and access the information they seek. The availability of free PDF books and manuals on this platform demonstrates its commitment to democratizing education and empowering individuals with the tools needed to succeed in their chosen fields. It allows anyone, regardless of their background or financial limitations, to expand their horizons and gain insights from experts in various disciplines. One of the most significant advantages of downloading PDF books and manuals lies in their portability. Unlike physical copies, digital books can be stored and carried on a single device, such as a tablet or smartphone, saving valuable space and weight. This convenience makes it possible for readers to have their entire library at their fingertips, whether they are commuting, traveling, or simply enjoying a lazy afternoon at home. Additionally, digital files are easily searchable, enabling readers to locate specific

information within seconds. With a few keystrokes, users can search for keywords, topics, or phrases, making research and finding relevant information a breeze. This efficiency saves time and effort, streamlining the learning process and allowing individuals to focus on extracting the information they need. Furthermore, the availability of free PDF books and manuals fosters a culture of continuous learning. By removing financial barriers, more people can access educational resources and pursue lifelong learning, contributing to personal growth and professional development. This democratization of knowledge promotes intellectual curiosity and empowers individuals to become lifelong learners, promoting progress and innovation in various fields. It is worth noting that while accessing free Toyota Celica Auto Transmission Wiring Diagram PDF books and manuals is convenient and cost-effective, it is vital to respect copyright laws and intellectual property rights. Platforms offering free downloads often operate within legal boundaries, ensuring that the materials they provide are either in the public domain or authorized for distribution. By adhering to copyright laws, users can enjoy the benefits of free access to knowledge while supporting the authors and publishers who make these resources available. In conclusion, the availability of Toyota Celica Auto Transmission Wiring Diagram free PDF books and manuals for download has revolutionized the way we access and consume knowledge. With just a few clicks, individuals can explore a vast collection of resources across different disciplines, all free of charge. This accessibility empowers individuals to become lifelong learners, contributing to personal growth, professional development, and the advancement of society as a whole. So why not unlock a world of knowledge today? Start exploring the vast sea of free PDF books and manuals waiting to be discovered right at your fingertips.

FAQs About Toyota Celica Auto Transmission Wiring Diagram Books

1. Where can I buy Toyota Celica Auto Transmission Wiring Diagram books? Bookstores: Physical bookstores like Barnes & Noble, Waterstones, and independent local stores. Online Retailers: Amazon, Book Depository, and various online bookstores offer a wide range of books in physical and digital formats.
2. What are the different book formats available? Hardcover: Sturdy and durable, usually more expensive. Paperback: Cheaper, lighter, and more portable than hardcovers. E-books: Digital books available for e-readers like Kindle or software like Apple Books, Kindle, and Google Play Books.
3. How do I choose a Toyota Celica Auto Transmission Wiring Diagram book to read? Genres: Consider the genre you enjoy (fiction, non-fiction, mystery, sci-fi, etc.). Recommendations: Ask friends, join book clubs, or explore online reviews and recommendations. Author: If you like a particular author, you might enjoy more of their work.
4. How do I take care of Toyota Celica Auto Transmission Wiring Diagram books? Storage: Keep them away from direct

sunlight and in a dry environment. Handling: Avoid folding pages, use bookmarks, and handle them with clean hands. Cleaning: Gently dust the covers and pages occasionally.

5. Can I borrow books without buying them? Public Libraries: Local libraries offer a wide range of books for borrowing. Book Swaps: Community book exchanges or online platforms where people exchange books.
6. How can I track my reading progress or manage my book collection? Book Tracking Apps: Goodreads, LibraryThing, and Book Catalogue are popular apps for tracking your reading progress and managing book collections. Spreadsheets: You can create your own spreadsheet to track books read, ratings, and other details.
7. What are Toyota Celica Auto Transmission Wiring Diagram audiobooks, and where can I find them? Audiobooks: Audio recordings of books, perfect for listening while commuting or multitasking. Platforms: Audible, LibriVox, and Google Play Books offer a wide selection of audiobooks.
8. How do I support authors or the book industry? Buy Books: Purchase books from authors or independent bookstores. Reviews: Leave reviews on platforms like Goodreads or Amazon. Promotion: Share your favorite books on social media or recommend them to friends.
9. Are there book clubs or reading communities I can join? Local Clubs: Check for local book clubs in libraries or community centers. Online Communities: Platforms like Goodreads have virtual book clubs and discussion groups.
10. Can I read Toyota Celica Auto Transmission Wiring Diagram books for free? Public Domain Books: Many classic books are available for free as they're in the public domain. Free E-books: Some websites offer free e-books legally, like Project Gutenberg or Open Library.

Find Toyota Celica Auto Transmission Wiring Diagram :

the beast in the jungle english edition

[the boeing 737 technical guide share](#)

the billionaires hotline men of the capital book english edition

the bells of times square

the boy in the woods

[the bonding gaven english edition](#)

[the best 2009 sea doo service manual plus extras](#)

[the best 2004 jeep wrangler tj factory service manual](#)

the best job offer english edition

the boy in the striped pajamas study guide

the blackwell guide to philosophical logic

the best algebra 2 trigonometry regents review packet

the bureau of infrastructure transport and regional economics report

the boy from lw oacute w

the bible s answers to 100 of life s biggest questions

Toyota Celica Auto Transmission Wiring Diagram :

der tod der hase die unsinkbare und ich audible de - Oct 04 2022

web bei der zweiten entführung von martin durch den tod erzählt ihm der tod vom untergang der unsinkbaren also der titanic hier berichtet der tod aus seiner

der tod der hase die unsinkbare und ich von sebastian - Dec 26 2021

web entdecken sie der tod der hase die unsinkbare und ich von sebastian niedlich 2016 in der großen auswahl bei ebay kostenlose lieferung für viele artikel die genaue

der tod der hase die unsinkbare und ich zwei schwungvolle - Jan 07 2023

web mar 26 2014 der tod der hase die unsinkbare und ich zwei schwungvolle geschichten voller schwarzem humor german edition kindle edition by niedlich

sebastian niedlich der tod der hase die unsinkbare und ich - Sep 22 2021

web sprecher matthias kellerinhalt man kann sich seine freunde nicht aussuchen das weiß niemand so gut wie martin denn sein bester kumpel ist der leibhaft

der tod der hase die unsinkbare und ich amazon de - Sep 03 2022

web der tod der hase die unsinkbare und ich audible hörbuch ungekürzte ausgabe der tod der hase die unsinkbare und ich audible hörbuch ungekürzte ausgabe

der tod der hase die unsinkbare und ich lovelybooks - Jul 13 2023

web mar 26 2014 der tod der hase die unsinkbare und ich gehört zum 2014 bei dotbooks erschienene debüt der tod und andere höhepunkte meines lebens von

der tod der hase die unsinkbare und ich zwei schwungvolle - May 11 2023

web mar 26 2014 der tod der hase die unsinkbare und ich zwei schwungvolle geschichten voller schwarzem humor sebastian niedlich 0 00 0 ratings0 reviews hast

podcast rezension der tod der hase die unsinkbare und ich - Feb 25 2022

web man kann sich seine freunde nicht aussuchen das weiß niemand so gut wie martin denn sein bester kumpel ist der leibhaftige tod nicht ganz einfach aber

der tod der hase die unsinkbare und ich zwei schwungvolle - Nov 05 2022

web der tod der hase die unsinkbare und ich zwei schwungvolle geschichten voller schwarzem humor ebook niedlich sebastian amazon de books

der tod der hase die unsinkbare und ich audible com - Jul 01 2022

web der tod der hase die unsinkbare und ich as it s meant to be heard narrated by matthias keller discover the german audiobook at audible free trial available

der tod der hase die unsinkbare und ich 9783785754337 zvab - Jan 27 2022

web der tod der hase die unsinkbare und ich beim zvab com isbn 10 3785754337 isbn 13 9783785754337 l bbe audio buch tonpool

der tod der hase die unsinkbare und ich ungekürzte - Feb 08 2023

web der tod der hase die unsinkbare und ich ungekürzte ausgabe lesung niedlich sebastian keller matthias isbn 9783785754337 kostenloser versand für alle

der tod der hase die unsinkbare und ich thalia - Aug 14 2023

web zwei schwungvolle geschichten voller schwarzem humor und ein lesevergnügen mit hohem bildungsanspruch oder wussten sie etwa schon dass der tod ständig ob la

der tod der hase die unsinkbare und ich goodreads - Jun 12 2023

web mar 26 2014 der tod der hase die unsinkbare und ich sebastian niedlich 3 54 97 ratings10 reviews hast du heute wieder deinen klugscheißertag giftete ich den tod

der tod der hase die unsinkbare und ich 2 cds weltbild - Mar 29 2022

web in der tod der hase die unsinkbare und ich kommt zum trost und humor noch eine neue komponente dazu geschichtswissen der teil um die titanic ist nicht in dem

der tod der hase die unsinkbare und ich audio cd - May 31 2022

web der tod der hase die unsinkbare und ich on amazon com au free shipping on eligible orders der tod der hase die unsinkbare und ich

der tod der hase die unsinkbare und ich epub weltbild - Aug 02 2022

web sofort verfügbar als ebook bei weltbild de herunterladen bequem mit ihrem tablet oder ebook reader lesen der tod der hase die unsinkbare und ich von sebastian niedlich

der tod der hase die unsinkbare und ich bücher de - Mar 09 2023

web in der tod der hase die unsinkbare und ich kommt zum trost und humor noch eine neue komponente dazu geschichtswissen der teil um die titanic ist nicht in dem

der tod der hase die unsinkbare und ich ebook epub - Oct 24 2021

web produktbeschreibung hast du heute wieder deinen klugscheißertag giftete ich den tod an er grinste stelle ich die dummen fragen oder du man kann sich seine

der tod der hase die unsinkbare und ich google books - Dec 06 2022

web der tod der hase die unsinkbare und ich zwei schwungvolle geschichten voller schwarzem humor sebastian niedlich dotbooks mar 26 2014 fiction 68 pages

der tod der hase die unsinkbare und ich zwei schwungvolle - Apr 10 2023

web zwei schwungvolle geschichten voller schwarzem humor und ein lesevergnügen mit hohem bildungsanspruch oder wussten sie etwa schon dass der tod ständig ob la

der tod der hase die unsinkbare und ich dotbooks - Nov 24 2021

web noch überraschender ist dass es eine frau gab die der tod nicht vergessen kann dabei ist es schon über 100 jahre her dass er ihr an bord der titanic begegnete zwei

der tod der hase die unsinkbare und ich audible audio edition - Apr 29 2022

web der tod der hase die unsinkbare und ich audible audio edition sebastian niedlich matthias keller audible studios amazon ca books

fahrrad fahren Übersetzung englisch deutsch dict cc - Jan 27 2022

web mit dem fahrrad fahren bike to go to work on a bike mit dem fahrrad zur arbeit fahren teilweise Übereinstimmung bike bicycle fahrrad n bike bike coll bicycle

en cyclo pedia alles übers fahrradfahren goodreads - Apr 10 2023

web in seinem buch hat er wunderbare einblicke in die welt des fahrradfahrens gesammelt für alle fahrrad liebhaber da draußen von einstein bis alfonsina strada berühmte

fahrrad fahren englisch Übersetzung linguee wörterbuch - Feb 25 2022

web viele übersetzte beispielsätze mit fahrrad fahren englisch deutsch wörterbuch und suchmaschine für millionen von englisch Übersetzungen

download en cyclo pedia alles übers fahrradfahren - Aug 02 2022

web roman lesen en cyclo pedia alles übers fahrradfahren bücher lesen tablet en cyclo pedia alles übers fahrradfahren bücher kostenlos onlin

en cyclo pedia alles übers fahrradfahren by johan tell - Jul 01 2022

web jun 13 2023 [en cyclo pedia alles übers fahrradfahren tell johan sitzmann alexander isbn 9783710900754 kostenloser versand für alle bücher mit versand und verkauf duch 5](#)

[en cyclo pedia alles übers fahrradfahren amazon de](#) - Aug 14 2023

web en cyclo pedia alles übers fahrradfahren tell johan sitzmann alexander isbn 9783710900754 kostenloser versand für alle bücher mit versand und verkauf duch

[was heißt fahrradfahren auf englisch radtouren checker](#) - Apr 29 2022

web auf englisch heißt fahrradfahren einfach to bicycle oder in der verlaufsform sagt man auch bicycling von seinem wortursprung her kommt es aus dem 19 jahrhundert

en cyclo pedia alles übers fahrradfahren google books - Dec 06 2022

web in seinem buch hat er wunderbare einblicke in die welt des fahrradfahrens gesammelt für alle fahrrad liebhaber da draußen von einstein bis alfonsina strada berühmte

[en cyclo pedia alles übers fahrradfahren by johan tell](#) - Feb 08 2023

web zentralschweiz en cyclo pedia daway übergroßer bequemer fahrradsattel city c40 extra en cyclo pedia alles übers fahrradfahren epub caa2c en cyclo pedia allesubers

[en cyclo pedia alles übers fahrradfahren ciltli kapak](#) - May 11 2023

web arama yapmak istediğiniz kategoriye seçin

amazon de kundenrezensionen en cyclo pedia alles übers - Nov 05 2022

web finde hilfreiche kundenrezensionen und rezensionsbewertungen für en cyclo pedia alles übers fahrradfahren auf amazon de lese ehrliche und unvoreingenommene

heißt es der die oder das fahrrad deutsch perfekt - Dec 26 2021

web das fahrrad die fahrräder ein fahrrad viele fahrräder im plural sind die deutschen artikel sehr viel weniger problematisch der bestimmte artikel ist im plural immer die

[en cyclo pedia alles übers fahrradfahren hardcover abebooks](#) - Mar 09 2023

web en cyclo pedia alles übers fahrradfahren by tell johan isbn 10 3710900751 isbn 13 9783710900754 benevento 2019 hardcover en cyclo pedia alles übers

en cyclo pedia alles übers fahrradfahren by johan tell - Oct 24 2021

web en cyclo pedia alles übers fahrradfahren by johan tell alexander sitzmann vagabond reisereportagen geschrieben und bereits mehrere bücher veröffentlicht

was heißt fahrradtour auf englisch radtouren checker - Mar 29 2022

web auf englisch heißt fahrradtour einfach bicycle tour denn bicycle heißt fahrrad auf englisch und eine tour ist halt einfach

eine tour dabei stammt das englische wort

en cyclo pedia alles übers fahrradfahren bücher gebraucht - Oct 04 2022

web en cyclo pedia alles übers fahrradfahren bücher gebraucht antiquarisch neu kaufen preisvergleich käuferschutz wir bücher

en cyclo pedia alles übers fahrradfahren 2022 ftp popcake - Nov 24 2021

web en cyclo pedia alles übers fahrradfahren downloaded from ftp popcake com by guest riley jordan a cyclopedia of biblical literature illustrated by numerous

en cyclo pedia alles übers fahrradfahren hardcover - Sep 03 2022

web select the department you want to search in

en cyclo pedia alles übers fahrradfahren by johan tell - Jun 12 2023

web en cyclo pedia alles übers fahrradfahren by johan tell alexander sitzmann die onleihe verbund rheinland pfalz en cyclo pedia june 1st 2020 untertitel alles übers

en cyclo pedia alles übers fahrradfahren google play - Jul 13 2023

web en cyclo pedia alles übers fahrradfahren ebook written by johan tell read this book using google play books app on your pc android ios devices download for offline

en cyclo pedia alles übers fahrradfahren pdf old vulkk - May 31 2022

web en cyclo pedia alles übers fahrradfahren 3 3 einfach nur praktisch wieder anderen dient es dem inneren ausgleich oder dem knallharten wettkampf und für manche ist es

en cyclo pedia alles übers fahrradfahren zvab - Jan 07 2023

web en cyclo pedia alles übers fahrradfahren von tell johan beim zvab com isbn 10 3710900751 isbn 13 9783710900754 benevento 2019 hardcover

der traum vom dschungel roman by wolfgang hachtel alibris - Sep 03 2022

web buy der traum vom dschungel roman by wolfgang hachtel online at alibris we have new and used copies available in 1 editions starting at 14 41 shop now

dschungel roman by friedrich wallisch very good 1964 - Nov 05 2022

web mar 3 2015 roman dschungel roman friedrich wallisch published by hans deutsch 1964 condition very good save for later from biblion2 obersulm germany abebooks seller since march 3 2015 seller rating view this seller s items quantity 1 view all copies of this book buy used us 28 68 convert currency

die brücke im dschungel roman traven b free download - Jun 12 2023

web 200 pages 18 cm due to a planned power outage on friday 1 14 between 8am 1pm pst some services may be impacted

der dschungel roman by unknown author goodreads - Jul 01 2022

web read reviews from the world s largest community for readers undefined

dschungel roman catalog uw madison libraries - Jul 13 2023

web book catalog search search the physical and online collections at uw madison uw system libraries and the wisconsin historical society

citation dschungel roman uw madison libraries - Feb 08 2023

web book catalog search search the physical and online collections at uw madison uw system libraries and the wisconsin historical society

dschungel roman by friedemann karig subsites imoney my - Feb 25 2022

web sep 17 2023 may 8th 2020 dschungel von friedemann karig ist ein roman über die suche eines jungen mannes nach seinen in kambodscha verschollenen freundes und vielleicht ist es auch die suche nach der eigenen identität diese suche wird

dschungel roman abebooks - Aug 02 2022

web Überlebende der oberwelt verloren im dschungel roman für minecrafter language german by mann greyson and a great selection of related books art and collectibles available now at abebooks com

9783257214178 asphalt dschungel roman r burnett w - May 11 2023

web asphalt dschungel roman find all books from r burnett w at find more books com you can find used antique and new books compare results and immediately purchase your selection at the best price 9783257214178 asphalt dschungel roman jul 01 1996 burnett w r ean 9783257214178

der dschungel roman 9783888800054 abebooks - Mar 09 2023

web items related to der dschungel roman der dschungel roman isbn 13 9783888800054 der dschungel roman softcover softcover isbn 10 3888800056 isbn 13 9783888800054 this specific isbn edition is currently not available view all copies of this isbn edition about this edition isbn

der traum vom dschungel roman amazon singapore - Jan 07 2023

web delivering to singapore 049145 sign in to update your location all

dschungel roman by friedemann karig orientation sutd edu - Dec 06 2022

web dschungelgeheimnis ein indien roman by oberhauser franz operation as roman by james rollins nook book bushman build the most beautiful unique style house inside deep jungle

dschungel roman by friedemann karig - Mar 29 2022

web ein dschungelkönig in amerika roman book 2000 log into facebook facebook die transasien episoden audiobook aleksander roman im dschungel verlaufen german edition conny scholz wikimedia mons rubyfruit jungle by rita mae brown

goodreads atlan 445 der dschungel von dorkh rakuten kobo dschungel by friedemann karig goodreads the
die brücke im dschungel by b traven open library - Apr 29 2022

web the bridge in the jungle by b traven 1983 büchergilde gutenbergs edition in german deutsch

der traum vom dschungel roman paperback german by - May 31 2022

web online shopping for trusted shipping to dubai abu dhabi and all uae great prices secure shopping 100 contactless easy
free returns cash on delivery shop now

dschungel roman german edition kindle edition amazon in - Apr 10 2023

web dschungel roman german edition ebook karig friedemann amazon in kindle store

der dschungel wikipedia - Sep 15 2023

web der dschungel englisch the jungle ist ein sozialkritischer roman des us amerikanischen schriftstellers upton sinclair der
1905 zunächst in fortsetzungen 1906 dann als ganzes erschien am beispiel einer einwandererfamilie aus litauen

veranschaulichte sinclair die katastrophalen auswirkungen eines von profitwahn und

dschungel roman eine atemberaubende geschichte über das - Oct 16 2023

web dschungel roman eine atemberaubende geschichte über das verschwinden die kraft der erinnerung und ihren fluch

karig friedemann isbn 9783550200137 kostenloser versand für alle bücher mit versand und verkauf duch amazon

das verrückte secret in wobbly life mit roman und lars - Aug 14 2023

web apr 29 2021 dr auge popsocket t shirt s und vieles mehr shop arazhul de das neue comic adventure 3 kaufen amzn to
2pdmmwv alle

die brücke im dschungel roman detebe paperback - Oct 04 2022

web select the department you want to search in