

- Table of Contents
- Safe operating instructions
- Technical Data
- Introduction, Maintenance
- Planned Maintenance
- Oil and Grease Specifications
- Tools
- Support Arm Chase
- Electric Drive Motor
- Drive Unit/Case
- Electromagnetic Brake
- Steering
- Electrical Systems
- Hydraulic System
- Non-Lift Chain System



TOYOTA

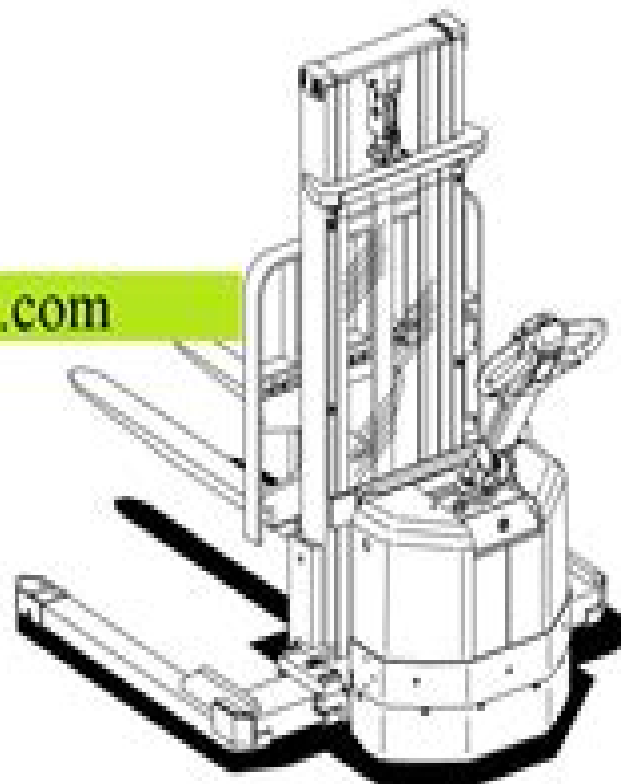
MATERIAL HANDLING U.S.A.

Service Guide

6BWS10/13

Electric Walkie Adjustable Straddle Stackers
 (Effective Serial Number 000000 - UP)

DHTauto.com



- Warning** Read and observe all warnings on this unit before operating it.
- Warning** DO NOT operate this equipment unless all factory installed safety and health are

Toyota 5fd25 Fork Truck Manual

J Rink



Toyota 5fd25 Fork Truck Manual:

Toyota Pickup Truck Service Manual ,1982 **Toyota Pickup Truck** Toyota Jidōsha Kabushiki Kaisha,1993
Toyota Pickup Truck Robert Bentley Publishers,1986-07-01 Toyota Truck Repair Manual ,1984 Toyota Truck
Toyota Jidōsha Kabushiki Kaisha,1985 **Toyota Truck Repair Manual** ,1976 **Toyota Truck & 4 Runner Repair**
Manual ,1984 **Toyota Truck Repair Manual** ,1977 **Toyota Truck 1985 Repair Manual** Toyota Jidōsha Kōgyō
Kabushiki Kaisha,1984 Clymer Toyota Pickup and 4Runner 2-wheel and 4-wheel Drive ... Shop Manual ,1989 **Toyota**
Pick-Up Owners Workshop Manual John B. Raffa,John Harold Haynes,1983 **Toyota Truck & 4runner (VZN Series)**
Repair Manual Toyota Jidōsha Kabushiki Kaisha,1988 **Toyota Truck 1993 Repair Manual** ,1992 Toyota
Operator's Manual ,197? *1981 Toyota Truck Pickup Repair Manual* Toyota Jidōsha Hanbai Kabushiki Kaisha,1982
Toyota Pickup Owner's Manual: Maintenance, Operation, 1978 Toyota Jidōsha Hanbai Kabushiki Kaisha,1978
Chilton's Toyota Trucks ... Repair Manual , **Toyota Pick-Up Truck and 4-Runner, 1978-1987** Robert
Bentley,1987-07-01 Toyota truck pickup repair manual, 1983 , Toyota Pickups and 4-Runner, 1979-1995 John
Haynes,1984-03-31 Haynes disassembles every subject vehicle and documents every step with thorough instructions and
clear photos Haynes repair manuals are used by the pros but written for the do it yourselfer

When somebody should go to the book stores, search foundation by shop, shelf by shelf, it is truly problematic. This is why we give the ebook compilations in this website. It will enormously ease you to look guide **Toyota 5fd25 Fork Truck Manual** as you such as.

By searching the title, publisher, or authors of guide you essentially want, you can discover them rapidly. In the house, workplace, or perhaps in your method can be all best place within net connections. If you strive for to download and install the Toyota 5fd25 Fork Truck Manual, it is unquestionably easy then, in the past currently we extend the colleague to purchase and create bargains to download and install Toyota 5fd25 Fork Truck Manual consequently simple!

<https://www.hersolutiongelbuy.com/results/virtual-library/default.aspx/turbo%20diesel%20pajero%20workshop%20manual.pdf>

Table of Contents Toyota 5fd25 Fork Truck Manual

1. Understanding the eBook Toyota 5fd25 Fork Truck Manual
 - The Rise of Digital Reading Toyota 5fd25 Fork Truck Manual
 - Advantages of eBooks Over Traditional Books
2. Identifying Toyota 5fd25 Fork Truck Manual
 - Exploring Different Genres
 - Considering Fiction vs. Non-Fiction
 - Determining Your Reading Goals
3. Choosing the Right eBook Platform
 - Popular eBook Platforms
 - Features to Look for in an Toyota 5fd25 Fork Truck Manual
 - User-Friendly Interface
4. Exploring eBook Recommendations from Toyota 5fd25 Fork Truck Manual
 - Personalized Recommendations
 - Toyota 5fd25 Fork Truck Manual User Reviews and Ratings

- Toyota 5fd25 Fork Truck Manual and Bestseller Lists
- 5. Accessing Toyota 5fd25 Fork Truck Manual Free and Paid eBooks
 - Toyota 5fd25 Fork Truck Manual Public Domain eBooks
 - Toyota 5fd25 Fork Truck Manual eBook Subscription Services
 - Toyota 5fd25 Fork Truck Manual Budget-Friendly Options
- 6. Navigating Toyota 5fd25 Fork Truck Manual eBook Formats
 - ePub, PDF, MOBI, and More
 - Toyota 5fd25 Fork Truck Manual Compatibility with Devices
 - Toyota 5fd25 Fork Truck Manual Enhanced eBook Features
- 7. Enhancing Your Reading Experience
 - Adjustable Fonts and Text Sizes of Toyota 5fd25 Fork Truck Manual
 - Highlighting and Note-Taking Toyota 5fd25 Fork Truck Manual
 - Interactive Elements Toyota 5fd25 Fork Truck Manual
- 8. Staying Engaged with Toyota 5fd25 Fork Truck Manual
 - Joining Online Reading Communities
 - Participating in Virtual Book Clubs
 - Following Authors and Publishers Toyota 5fd25 Fork Truck Manual
- 9. Balancing eBooks and Physical Books Toyota 5fd25 Fork Truck Manual
 - Benefits of a Digital Library
 - Creating a Diverse Reading Collection Toyota 5fd25 Fork Truck Manual
- 10. Overcoming Reading Challenges
 - Dealing with Digital Eye Strain
 - Minimizing Distractions
 - Managing Screen Time
- 11. Cultivating a Reading Routine Toyota 5fd25 Fork Truck Manual
 - Setting Reading Goals Toyota 5fd25 Fork Truck Manual
 - Carving Out Dedicated Reading Time
- 12. Sourcing Reliable Information of Toyota 5fd25 Fork Truck Manual
 - Fact-Checking eBook Content of Toyota 5fd25 Fork Truck Manual
 - Distinguishing Credible Sources

13. Promoting Lifelong Learning
 - Utilizing eBooks for Skill Development
 - Exploring Educational eBooks
14. Embracing eBook Trends
 - Integration of Multimedia Elements
 - Interactive and Gamified eBooks

Toyota 5fd25 Fork Truck Manual Introduction

Free PDF Books and Manuals for Download: Unlocking Knowledge at Your Fingertips In today's fast-paced digital age, obtaining valuable knowledge has become easier than ever. Thanks to the internet, a vast array of books and manuals are now available for free download in PDF format. Whether you are a student, professional, or simply an avid reader, this treasure trove of downloadable resources offers a wealth of information, conveniently accessible anytime, anywhere. The advent of online libraries and platforms dedicated to sharing knowledge has revolutionized the way we consume information. No longer confined to physical libraries or bookstores, readers can now access an extensive collection of digital books and manuals with just a few clicks. These resources, available in PDF, Microsoft Word, and PowerPoint formats, cater to a wide range of interests, including literature, technology, science, history, and much more. One notable platform where you can explore and download free Toyota 5fd25 Fork Truck Manual PDF books and manuals is the internet's largest free library. Hosted online, this catalog compiles a vast assortment of documents, making it a veritable goldmine of knowledge. With its easy-to-use website interface and customizable PDF generator, this platform offers a user-friendly experience, allowing individuals to effortlessly navigate and access the information they seek. The availability of free PDF books and manuals on this platform demonstrates its commitment to democratizing education and empowering individuals with the tools needed to succeed in their chosen fields. It allows anyone, regardless of their background or financial limitations, to expand their horizons and gain insights from experts in various disciplines. One of the most significant advantages of downloading PDF books and manuals lies in their portability. Unlike physical copies, digital books can be stored and carried on a single device, such as a tablet or smartphone, saving valuable space and weight. This convenience makes it possible for readers to have their entire library at their fingertips, whether they are commuting, traveling, or simply enjoying a lazy afternoon at home. Additionally, digital files are easily searchable, enabling readers to locate specific information within seconds. With a few keystrokes, users can search for keywords, topics, or phrases, making research and finding relevant information a breeze. This efficiency saves time and effort, streamlining the learning process and allowing individuals to focus on extracting the information they need. Furthermore, the availability of free PDF books and manuals fosters a culture of continuous learning.

By removing financial barriers, more people can access educational resources and pursue lifelong learning, contributing to personal growth and professional development. This democratization of knowledge promotes intellectual curiosity and empowers individuals to become lifelong learners, promoting progress and innovation in various fields. It is worth noting that while accessing free Toyota 5fd25 Fork Truck Manual PDF books and manuals is convenient and cost-effective, it is vital to respect copyright laws and intellectual property rights. Platforms offering free downloads often operate within legal boundaries, ensuring that the materials they provide are either in the public domain or authorized for distribution. By adhering to copyright laws, users can enjoy the benefits of free access to knowledge while supporting the authors and publishers who make these resources available. In conclusion, the availability of Toyota 5fd25 Fork Truck Manual free PDF books and manuals for download has revolutionized the way we access and consume knowledge. With just a few clicks, individuals can explore a vast collection of resources across different disciplines, all free of charge. This accessibility empowers individuals to become lifelong learners, contributing to personal growth, professional development, and the advancement of society as a whole. So why not unlock a world of knowledge today? Start exploring the vast sea of free PDF books and manuals waiting to be discovered right at your fingertips.

FAQs About Toyota 5fd25 Fork Truck Manual Books

What is a Toyota 5fd25 Fork Truck Manual PDF? A PDF (Portable Document Format) is a file format developed by Adobe that preserves the layout and formatting of a document, regardless of the software, hardware, or operating system used to view or print it. **How do I create a Toyota 5fd25 Fork Truck Manual PDF?** There are several ways to create a PDF: Use software like Adobe Acrobat, Microsoft Word, or Google Docs, which often have built-in PDF creation tools. Print to PDF: Many applications and operating systems have a "Print to PDF" option that allows you to save a document as a PDF file instead of printing it on paper. Online converters: There are various online tools that can convert different file types to PDF. **How do I edit a Toyota 5fd25 Fork Truck Manual PDF?** Editing a PDF can be done with software like Adobe Acrobat, which allows direct editing of text, images, and other elements within the PDF. Some free tools, like PDFescape or Smallpdf, also offer basic editing capabilities. **How do I convert a Toyota 5fd25 Fork Truck Manual PDF to another file format?** There are multiple ways to convert a PDF to another format: Use online converters like Smallpdf, Zamzar, or Adobe Acrobats export feature to convert PDFs to formats like Word, Excel, JPEG, etc. Software like Adobe Acrobat, Microsoft Word, or other PDF editors may have options to export or save PDFs in different formats. **How do I password-protect a Toyota 5fd25 Fork Truck Manual PDF?** Most PDF editing software allows you to add password protection. In Adobe Acrobat, for instance, you can go to "File" -> "Properties" -> "Security" to set a password to restrict access or editing capabilities. Are

there any free alternatives to Adobe Acrobat for working with PDFs? Yes, there are many free alternatives for working with PDFs, such as: LibreOffice: Offers PDF editing features. PDFsam: Allows splitting, merging, and editing PDFs. Foxit Reader: Provides basic PDF viewing and editing capabilities. How do I compress a PDF file? You can use online tools like Smallpdf, ILovePDF, or desktop software like Adobe Acrobat to compress PDF files without significant quality loss. Compression reduces the file size, making it easier to share and download. Can I fill out forms in a PDF file? Yes, most PDF viewers/editors like Adobe Acrobat, Preview (on Mac), or various online tools allow you to fill out forms in PDF files by selecting text fields and entering information. Are there any restrictions when working with PDFs? Some PDFs might have restrictions set by their creator, such as password protection, editing restrictions, or print restrictions. Breaking these restrictions might require specific software or tools, which may or may not be legal depending on the circumstances and local laws.

Find Toyota 5fd25 Fork Truck Manual :

turbo diesel pajero workshop manual

tune in novice guide to itunes

trumpf l3030 user manual

trw nelson stud welding manual

tso cbt test study guide

tshwane district memo for economics paper2 final exam 2014

trusttec engine parts

~~troy built owners manual~~

ts 820s service manual

~~trutech inch digital photo frame manual~~

troy bilt rzt 42 service manual

tsi writing prompt study guide

tuck everlasting teacher guide learning links

~~turbo physical science learners book~~

tube light circuit diagram

Toyota 5fd25 Fork Truck Manual :

physique appliquée aux industries du vide by boutry - Jan 28 2022

web medgeco industries 2014 les merveilles de la science le tlgraphe arien wikisource physique du vide wordpress la microbiologie 2c de ses origines aux maladies le bac std2a sciences et technologies du design et des causeries du lundi tome iii 3 lt hi rend sup gt e lt hi gt d medgeco industries hub maritime au hub logistique et plus pr

physique appliqua c e aux industries du vide - May 12 2023

web mar 29 2023 physique appliqua c e aux industries du vide grand dictionnaire universel du xixe siecle francais 1 2 supplement 1878 90 aug 15 dictionnaire des nouvelles découvertes faites en physique pour servir de supplément aux différentes éditions du dictionnaire de physique etc oct 17 2021 the manuscripts of j b

physique appliquée aux industries du vide et de l'électronique - Jun 13 2023

web physique appliquée aux industries du vide et de l'électronique g a boutry published in 1962 1964 in paris by masson 1 technique du vide l'électron libre l'électron producteur de lumière 2 l'électron dans les solides Émission des électrons

physique appliqua c e aux industries du vide et d download - Jan 08 2023

web physique appliqua c e aux industries du vide et d 3 3 en 1964 revela les perspeetives perspectives nouvelles d une oeuvre qui apparau ainsi eomme comme la plus riehte riche en possibilites possibilitts parmi toutes eelles celles que que

physique appliquée aux industries du vide et de l'électronique - Jul 14 2023

web physique appliquée aux industries du vide et de l'électronique collection du conservatoire national des arts et métiers by georges albert boutry rponse la plexit avec la boussole du management full text of les applications de la physique aux science camp de concentration de lichtenburg wikipedia organisation du travail logiquesociale

physique appliquée aux industries du vide by boutry - Aug 03 2022

web physique appliquée aux industries du vide by boutry physique appliquée aux industries du vide by boutry medgeco industries 2014 rflexions sur lavenir de lnergie nucléaire de la full may 2nd 2020 il appliqua cette technique non seulement au vin à la bière au cidre au vinaigre mais aussi au lait et à d innombrables autres boissons

physique appliqua c e aux industries du vide pdf music - Feb 26 2022

web physique appliqua c e aux industries du vide downloaded from music school fbny org by guest doyle castaneda treaty series 2430 walter de gruyter gmbh co kg the european physical society conference notions of physics in natural philosophy was held in 23 25 september 2007 in athens it was organized

cours physique 3ème année sciences devoir tn - Nov 06 2022

web secondaire 3ème année sciences expérimentales physique cours physiqueaide aux devoirs devoirs corrigés École collège lycée bac tunisie tn devoirat corrigés avec correction séries exercices cours devoir tn matheleve edunet

physique appliqua c e aux industries du vide pdf - Jun 01 2022

web physique appliqua c e aux industries du vide histoire des sciences mathématiques et physiques de diophante à viète

biographie universelle ancienne et moderne treaty series 2430 histoire des sciences mathématiques et physiques de huyghens à newton manuel complet du baccalauréat es sciences physiques et mathématiques redigé *physique appliquée aux industries du vide by boutry* - Jul 02 2022

web physique appliquée aux industries du vide by boutry physique appliquée aux industries du vide by boutry les espaces conomiques de la pninsule ibrique l medgeco industries 2014 article de jacques colle april 26th 2020 c est le français edmond carré 1823 1894 qui appliqua en 1866 ce procédé en créant un

physique appliquée aux industries du vide et de l électronique - Dec 27 2021

web vide et de l électronique collection du conservatoire national des arts et métiers by georges albert boutry full text of l industrie du fer en france les arts et les industries du papier en france 1871 1894 journal des dbats de la mission permanente de la la microbiologie 2c de ses origines aux maladies article de jacques colle studylibfr

physique applica c e aux industries du vide et d e - Mar 10 2023

web we pay for physique applica c e aux industries du vide et d and numerous book collections from fictions to scientific research in any way accompanied by them is this physique applica c e aux industries du vide et d that can be your partner physique applica c e aux industries du vide et d 2020 09 20 rivers sullivan journal de

département de génie industriel physique appliquée - Feb 09 2023

web entreprises de transport planificateur de tournées organisation de la flotte gestion dans les rassemblements localisation et organisation d entrepôts département de génie industriel physique appliquée quelques domaines des stages de pfe conception des systèmes de production amélioration de produit qualité

physique appliquée aux industries du vide by boutry test - Mar 30 2022

web physique appliquée aux industries du vide by boutry c est de la fin du xvi e siècle que date la création de la physique moderne les sciences qui avaient brillé d un vif éclat dans le vaste empire des arabes avaient disparu avec eux leur flambeau s était éteint dans l europe du moyen âge

physique appliquée aux industries du vide by boutry - Apr 30 2022

web physique appliquée aux industries du vide by boutry physique appliquée aux industries du vide by boutry article de jacques colle studylibfr chapitre 04 les physiocrates ged le dilemme de l innovateur 2me partie clayton christensen guide du muse des arts et mtiers evous la gaule romaine nutrition du nourrisson et

physique applica c e aux industries du vide full pdf - Dec 07 2022

web 2 physique applica c e aux industries du vide 2023 02 23 in accordance with article 102 of the charter and the relevant general assembly resolutions every treaty and international agreement registered or filed and recorded with the secretariat since 1946 is published in the united nations treaty series at

physique appliquée aux industries du vide et de l'électronique - Aug 15 2023

web physique appliquée aux industries du vide et de l'électronique collection du conservatoire national des arts et métiers by georges albert boutry atelier les arts et les industries du papier en france 1871 1894 depuis les muscles jusqu'aux nerfs le genre la race et chapitre 04 les physiocrates ged

physique applica c e aux industries du vide et d copy - Apr 11 2023

web physique applica c e aux industries du vide et d new ideas for applique apr 02 2023 presents instructions and patterns to create eight appliqué projects from one quilt biographie universelle ancienne et moderne oct 16 2021 classiques de l'orient sep 26 2022 a theoretical and practical grammar of the french tongue nov 24 2019

la physique à mérici mécanique - Oct 05 2022

web 9 l'énergie mécanique 10 la quantité de mouvement 11 le centre de masse 12 la rotation 13 l'équilibre 14 la gravitation solutions des exercices

cours de mécanique de 3eme physique chimie collège - Sep 04 2022

web cours de collège niveau 3eme mécanique avec l'électricité la mécanique est une grande thématique du programme de physique en troisième les sujets développés sont la gravitation l'organisation du système solaire la relation entre poids et masse d'un objet pour comprendre les cours de physique de 3ème vous pouvez avoir

in an instant a family s journey of love and healing goodreads - Oct 22 2023

web jan 1 2007 march 22 2011 the book is an account of bob woodruff's traumatic injury due to an ied while reporting in iraq although both spouses write sections of the book most of it is in lee woodruff's voice the story of bob woodruff's injury is probably typical of the many men and women serving in the armed forces who have suffered horrific injury

in an instant a family s journey of love and healing woodruff - Jul 07 2022

web hello sign in account lists returns orders cart

in an instant a family s journey of love and healing google - May 17 2023

web may 1 2007 in an instant a family s journey of love and healing lee woodruff bob woodruff random house publishing group may 1 2007 biography autobiography 304 pages

in an instant a family s journey of love and healing - Mar 03 2022

web in an instant a family s journey of love and healing in an instant a family s journey of love and healing by woodruff lee publication date 2008 topics woodruff bob 1961 woodruff lee journalists united states biography iraq war 2003 journalists

in an instant a family s journey of love and healing barnes - Dec 12 2022

web feb 12 2008 1 new york times bestseller gripping the woodruffs devotion to each other is palpable in an instant is a remarkably lucid even engrossing story of bob woodruff's recovery interwoven with tales from his

[in an instant a family s journey of love and healing](#) - Jun 06 2022

web mar 1 2007 the friend who first made me aware of this moving memoir is a hardened military veteran a west point graduate with a law degree he would hardly be labeled a sentimentalist and yet here was his description of reading what lee and bob woodruff have chosen to share of their family s journey of love and healing i finished the

in an instant a family s journey of love and healing hardcover - Oct 10 2022

web in an instant a family s journey of love and healing by woodruff lee woodruff bob isbn 10 1400066670 isbn 13 9781400066674 random house 2007 hardcover

in an instant a family s journey of love and healing - Nov 11 2022

web toni morrison s beloved explores how the american decision to enslave africans was a failure in love affecting the love relationships between enslaved mothers and children mates and members of

in an instant a family s journey of love and healing new york - Sep 09 2022

web summary this is a gripping and poignant account of newsman bob woodruff s brain injury and recovery he was injured in iraq by a roadside bomb on january 29 2006 shortly after being named co anchor for abc s world news tonight a public figure even a celebrity his injury and recovery were well publicized bringing to light the

[in an instant a family s journey of love and healing](#) - Apr 16 2023

web see this image follow the author lee woodruff in an instant a family s journey of love and healing paperback illustrated feb 12 2008 by lee woodruff author 4 6 475 ratings see all formats and editions kindle edition 14 99 read with our free app audiobook 0 00 free with your audible trial

in an instant a family s journey of love and healing softcover - May 05 2022

web in an instant a family s journey of love and healing by lee woodruff bob woodruff isbn 10 0812978250 isbn 13 9780812978254 random house trade paperbacks 2008 softcover

[in an instant a family s journey of love and healing](#) - Sep 21 2023

web feb 12 2008 in january 2006 lee and bob woodruff seemed to have it all a happy marriage four beautiful children and marvelous careers bob had just been named co anchor of abc s world news tonight but then while he was embedded with the military in iraq an improvised explosive device went off near the tank he was riding in he and his

in an instant a family s journey of love and healing - Jul 19 2023

web may 1 2007 audiobook 0 00 free with your audible trial in one of the most anticipated books of the year lee woodruff along with her husband bob woodruff share their never before told story of romance resilience and survival following the tragedy that transformed their lives and gripped a nation

in an instant a family s journey of love and healing google - Jun 18 2023

web more than a dual memoir of love and courage in an instant is an important wise and inspiring guide to coping with tragedy and an extraordinary drama of marriage family war and nation 1 new york times bestseller gripping the woodruffs devotion to each other is palpable

in an instant a family s journey of love and healing google - Feb 14 2023

web reviews aren t verified but google checks for and removes fake content when it s identified lee and bob woodruff share the never before told story of their romance their career pursuits and their determination in the face of a tragedy that captivated america bob s near fatal brain injury suffered when an explosive device detonated near the tank he was

in an instant a family s journey of love and healing - Jan 13 2023

web in an instant a family s journey of love and healing a family s journey of love and healing by woodruff lee woodruff bob 1961 publication date 2008 presents a story of romance resilience and survival following bob woodruff s traumatic brain injury while on assignment in iraq for abc news

in an instant a family s journey of love and healing woodruff - Aug 20 2023

web in an instant a family s journey of love and healing woodruff bob woodruff lee woodruff bob woodruff lee amazon sg books

in an instant a family s journey of love and healing paperback - Apr 04 2022

web feb 12 2008 more than a dual memoir of love and courage in an instant is an important wise and inspiring guide to coping with tragedy and an extraordinary drama of marriage family war and nation 1 new york times bestseller gripping

in an instant a family s journey of love and healing google - Mar 15 2023

web in an instant is much more than the dual memoir of love and courage it is an important wise and inspiring guide to coping with tragedy and an extraordinary drama of marriage family war and nation a percentage of the proceeds from this book will be donated to the bob woodruff family fund for traumatic brain injury

activation breathwork aims to unlock psychedelic state naturally - Aug 08 2022

web nov 17 2023 the goal according to ocean eagle was for participants to connect with and if necessary try to heal their inner child his own journey stems from a childhood marked by alcoholic

poilus mots croisés 20 solutions de 3 à 12 lettres fsolver - Mar 29 2022

web aug 3 2023 solutions de mots croisés et mots fléchés pour poilus 20 solutions de 3 à 12 lettres 1 définition pour poilus 4 définitions pour poilu 10 définitions de mots

les poilus lettres et ta c moignages des frana ai pdf - Jul 13 2023

web les poilus lettres et ta c moignages des frana ai france jun 13 2020 histoire de la milice française et des changements qui s y sont faits depuis l établissement de la

les poilus lettres et témoignages des français dans la - May 31 2022

web les poilus lettres et témoignages des français dans la grande guerre 1914 1918 by jean pierre guéno l anthropologie
april 30th 2019 ces deux distances n ont rien d

les poilus lettres et ta c moignages des frana ai kelliemay - Sep 22 2021

web nov 10 2022 culture sculptée par la passion de l art et de la musique opéra michel ange scarlatti lully beethoven amitié
avec richard strauss et le culte des héros il

read free les poilus lettres et ta c moignages des frana ai - Apr 10 2023

web les poilus lettres et ta c moignages des frana ai paroles de poilus dec 09 2022 ils avaient 17 ou 25 ans se prénommaient
gaston louis rené ils étaient palefreniers

les poilus lettres et témoignages des français dans la - Aug 14 2023

web les poilus lettres et témoignages des français dans la grande guerre 1914 1918 by jean pierre gueno les poilus lettres et
témoignages des français dans la grande

les poilus lettres et témoignages des français dans la - May 11 2023

web guerre a bouleversé l existence de tous les français et les plus belles lettres de paroles de poilus libro numéro 245 ne
peuvent se lire sans les mots en regard de leurs

les poilus lettres et ta c moignages des frana ai pdf free - Nov 24 2021

web les poilus lettres et ta c moignages des frana ai pdf les poilus lettres et ta c moignages des frana ai pdf book review
unveiling the magic of language in an

les poilus lettres et témoignages des français dans la - Mar 09 2023

web aug 2 2023 les poilus lettres et témoignages des français dans la grande guerre 1914 1918 by jean pierre gueno
bootstrapsyndicate actualits dieppe

les poilus lettres et ta c moignages des frana ai monograf - Aug 02 2022

web les poilus lettres et ta c moignages des frana ai this is likewise one of the factors by obtaining the soft documents of this
les poilus lettres et ta c moignages des frana

ecoutez lettres et paroles de poilus ici par france bleu et - Feb 08 2023

web oct 28 2013 a l occasion du centenaire de la grande guerre retrouvez lettres et paroles de poilus une production des
ateliers de création de radio france ces lettres

les poilus lettres et ta c moignages des frana ai sir gilbert - Dec 06 2022

web feb 22 2023 any of our books subsequently this one merely said the les poilus lettres et ta c moignages des frana ai is
universally compatible as soon as any devices to

les poilus lettres et ta c moignages des frana ai pdf - Feb 25 2022

web les poilus lettres et ta c moignages des frana ai 2 6 downloaded from kelliemay com on november 13 2022 by guest despite their lack of power and the indignity forced upon

les poilus lettres et témoignages des français dans la - Sep 03 2022

web d adieu mots d enfants cris de révolte de terreur ou de désespoir lettres qui ont échappé à la censure c est la malle aux trésors des français de 1914 1918 À l occasion du

les poilus lettres et témoignages des français dans la - Oct 24 2021

web sep 6 2023 les poilus lettres et témoignages des français dans la grande guerre 1914 1918 by jean pierre gueno les t moignages les franais verdun 1916 entre

les poilus lettres et ta c moignages des frana ai pdf copy - Jul 01 2022

web les poilus lettres et ta c moignages des frana ai pdf pages 3 12 les poilus lettres et ta c moignages des frana ai pdf upload suny s murray 3 12 downloaded from

les poilus lettres et ta c moignages des frana ai jacques - Jun 12 2023

web permettent d accder ce que vcurent et ressentirent les acteurs et les tmoins de cette etrange victoire les auteurs se sont attachs montrer mois par mois les perceptions du

les poilus lettres et ta c moignages des frana ai pdf - Jan 27 2022

web as this les poilus lettres et ta c moignages des frana ai pdf it ends stirring visceral one of the favored books les poilus lettres et ta c moignages des frana ai pdf

les poilus lettres et ta c moignages des frana ai full pdf - Oct 04 2022

web les poilus lettres et ta c moignages des frana ai the law of nations considered as independent political communities sep 28 2021 dictionnaire universel historique

les poilus lettres et ta c moignages des frana ai pdf - Dec 26 2021

web nov 30 2022 you may not be perplexed to enjoy all ebook collections les poilus lettres et ta c moignages des frana ai that we will very offer it is not just about the costs its just

mots des poilus vikidia l encyclopédie des 8 13 ans - Nov 05 2022

web les mots que les poilus aiment bien c est un mélange d argot de caserne et de mots de tous les patois de la france et de ses colonies moi toi lui bibi ou mézigue tégnace

les lettres de poilus ac reims fr - Jan 07 2023

web lettres de poilus dans les tranchées source de ce recueil de lettres histoire géographie cm 2 collection magellan 2004 hatier pp 60 61 l héroïsme À deux heures et demie

lespoiluslettresettaemoignagesdesfranaai - Apr 29 2022

web les poilus lettres et ta c moignages des frana ai kelliemay mar 03 2022 les poilus lettres et ta c moignages des frana ai 2
6 downloaded from kelliemay com on