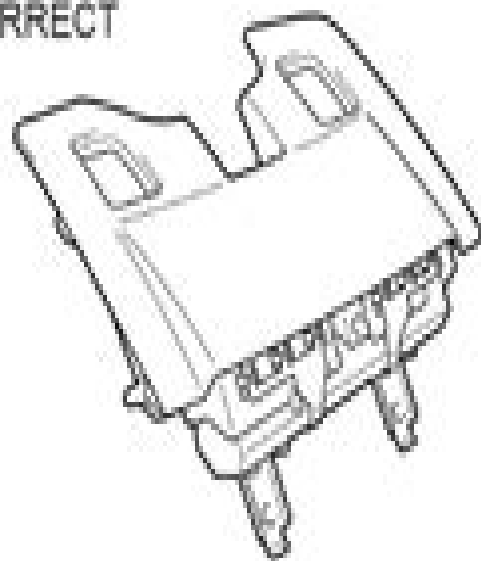
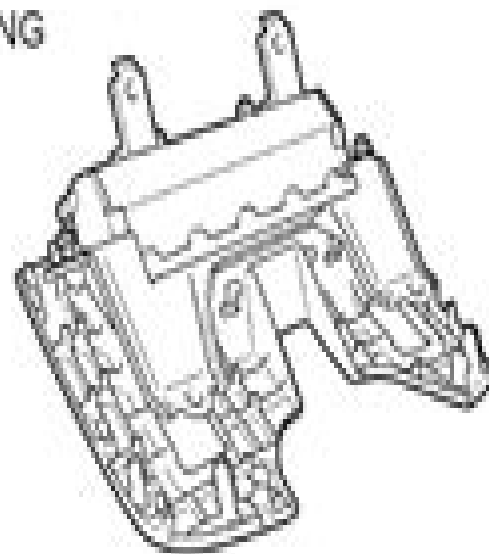


Example:

CORRECT

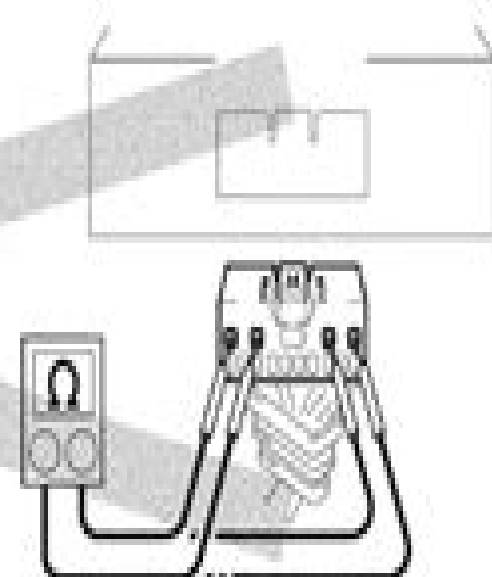
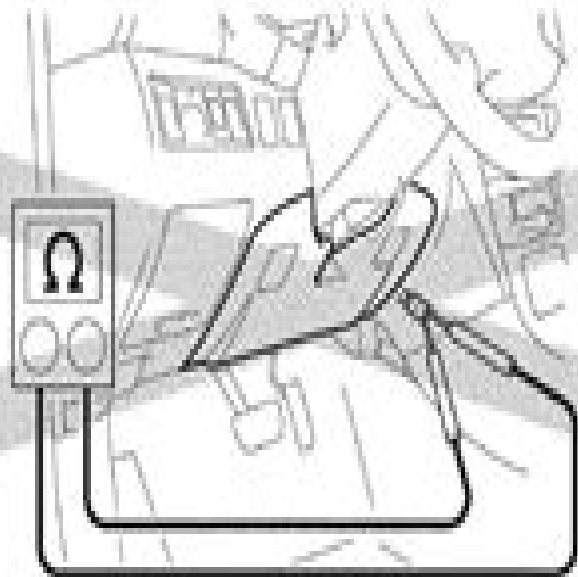
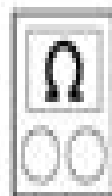


WRONG



030399

Example:



010101

# Toyota Avensis 2002 Manual

**A Gutmann**



## **Toyota Avensis 2002 Manual:**

## Whispering the Strategies of Language: An Psychological Journey through **Toyota Avensis 2002 Manual**

In a digitally-driven world wherever displays reign supreme and immediate communication drowns out the subtleties of language, the profound techniques and psychological nuances hidden within words frequently go unheard. Yet, located within the pages of **Toyota Avensis 2002 Manual** a captivating literary value pulsating with raw thoughts, lies an extraordinary journey waiting to be undertaken. Penned by a talented wordsmith, that marvelous opus attracts viewers on an introspective journey, softly unraveling the veiled truths and profound affect resonating within the very material of each and every word. Within the psychological depths of the emotional review, we shall embark upon a genuine exploration of the book is key themes, dissect its fascinating publishing style, and fail to the powerful resonance it evokes serious within the recesses of readers hearts.

[https://www.hersolutiongelbuy.com/book/scholarship/default.aspx/panther\\_xt\\_plus\\_manual.pdf](https://www.hersolutiongelbuy.com/book/scholarship/default.aspx/panther_xt_plus_manual.pdf)

### **Table of Contents Toyota Avensis 2002 Manual**

1. Understanding the eBook Toyota Avensis 2002 Manual
  - The Rise of Digital Reading Toyota Avensis 2002 Manual
  - Advantages of eBooks Over Traditional Books
2. Identifying Toyota Avensis 2002 Manual
  - Exploring Different Genres
  - Considering Fiction vs. Non-Fiction
  - Determining Your Reading Goals
3. Choosing the Right eBook Platform
  - Popular eBook Platforms
  - Features to Look for in an Toyota Avensis 2002 Manual
  - User-Friendly Interface
4. Exploring eBook Recommendations from Toyota Avensis 2002 Manual
  - Personalized Recommendations

- Toyota Avensis 2002 Manual User Reviews and Ratings
- Toyota Avensis 2002 Manual and Bestseller Lists
- 5. Accessing Toyota Avensis 2002 Manual Free and Paid eBooks
  - Toyota Avensis 2002 Manual Public Domain eBooks
  - Toyota Avensis 2002 Manual eBook Subscription Services
  - Toyota Avensis 2002 Manual Budget-Friendly Options
- 6. Navigating Toyota Avensis 2002 Manual eBook Formats
  - ePub, PDF, MOBI, and More
  - Toyota Avensis 2002 Manual Compatibility with Devices
  - Toyota Avensis 2002 Manual Enhanced eBook Features
- 7. Enhancing Your Reading Experience
  - Adjustable Fonts and Text Sizes of Toyota Avensis 2002 Manual
  - Highlighting and Note-Taking Toyota Avensis 2002 Manual
  - Interactive Elements Toyota Avensis 2002 Manual
- 8. Staying Engaged with Toyota Avensis 2002 Manual
  - Joining Online Reading Communities
  - Participating in Virtual Book Clubs
  - Following Authors and Publishers Toyota Avensis 2002 Manual
- 9. Balancing eBooks and Physical Books Toyota Avensis 2002 Manual
  - Benefits of a Digital Library
  - Creating a Diverse Reading Collection Toyota Avensis 2002 Manual
- 10. Overcoming Reading Challenges
  - Dealing with Digital Eye Strain
  - Minimizing Distractions
  - Managing Screen Time
- 11. Cultivating a Reading Routine Toyota Avensis 2002 Manual
  - Setting Reading Goals Toyota Avensis 2002 Manual
  - Carving Out Dedicated Reading Time
- 12. Sourcing Reliable Information of Toyota Avensis 2002 Manual
  - Fact-Checking eBook Content of Toyota Avensis 2002 Manual

- Distinguishing Credible Sources
- 13. Promoting Lifelong Learning
  - Utilizing eBooks for Skill Development
  - Exploring Educational eBooks
- 14. Embracing eBook Trends
  - Integration of Multimedia Elements
  - Interactive and Gamified eBooks

### **Toyota Aventis 2002 Manual Introduction**

In the digital age, access to information has become easier than ever before. The ability to download Toyota Aventis 2002 Manual has revolutionized the way we consume written content. Whether you are a student looking for course material, an avid reader searching for your next favorite book, or a professional seeking research papers, the option to download Toyota Aventis 2002 Manual has opened up a world of possibilities. Downloading Toyota Aventis 2002 Manual provides numerous advantages over physical copies of books and documents. Firstly, it is incredibly convenient. Gone are the days of carrying around heavy textbooks or bulky folders filled with papers. With the click of a button, you can gain immediate access to valuable resources on any device. This convenience allows for efficient studying, researching, and reading on the go. Moreover, the cost-effective nature of downloading Toyota Aventis 2002 Manual has democratized knowledge. Traditional books and academic journals can be expensive, making it difficult for individuals with limited financial resources to access information. By offering free PDF downloads, publishers and authors are enabling a wider audience to benefit from their work. This inclusivity promotes equal opportunities for learning and personal growth. There are numerous websites and platforms where individuals can download Toyota Aventis 2002 Manual. These websites range from academic databases offering research papers and journals to online libraries with an expansive collection of books from various genres. Many authors and publishers also upload their work to specific websites, granting readers access to their content without any charge. These platforms not only provide access to existing literature but also serve as an excellent platform for undiscovered authors to share their work with the world. However, it is essential to be cautious while downloading Toyota Aventis 2002 Manual. Some websites may offer pirated or illegally obtained copies of copyrighted material. Engaging in such activities not only violates copyright laws but also undermines the efforts of authors, publishers, and researchers. To ensure ethical downloading, it is advisable to utilize reputable websites that prioritize the legal distribution of content. When downloading Toyota Aventis 2002 Manual, users should also consider the potential security risks associated with online platforms. Malicious actors may exploit vulnerabilities in unprotected websites to distribute malware or steal personal

information. To protect themselves, individuals should ensure their devices have reliable antivirus software installed and validate the legitimacy of the websites they are downloading from. In conclusion, the ability to download Toyota Avensis 2002 Manual has transformed the way we access information. With the convenience, cost-effectiveness, and accessibility it offers, free PDF downloads have become a popular choice for students, researchers, and book lovers worldwide. However, it is crucial to engage in ethical downloading practices and prioritize personal security when utilizing online platforms. By doing so, individuals can make the most of the vast array of free PDF resources available and embark on a journey of continuous learning and intellectual growth.

### **FAQs About Toyota Avensis 2002 Manual Books**

How do I know which eBook platform is the best for me? Finding the best eBook platform depends on your reading preferences and device compatibility. Research different platforms, read user reviews, and explore their features before making a choice. Are free eBooks of good quality? Yes, many reputable platforms offer high-quality free eBooks, including classics and public domain works. However, make sure to verify the source to ensure the eBook credibility. Can I read eBooks without an eReader? Absolutely! Most eBook platforms offer web-based readers or mobile apps that allow you to read eBooks on your computer, tablet, or smartphone. How do I avoid digital eye strain while reading eBooks? To prevent digital eye strain, take regular breaks, adjust the font size and background color, and ensure proper lighting while reading eBooks. What the advantage of interactive eBooks? Interactive eBooks incorporate multimedia elements, quizzes, and activities, enhancing the reader engagement and providing a more immersive learning experience. Toyota Avensis 2002 Manual is one of the best book in our library for free trial. We provide copy of Toyota Avensis 2002 Manual in digital format, so the resources that you find are reliable. There are also many Ebooks of related with Toyota Avensis 2002 Manual. Where to download Toyota Avensis 2002 Manual online for free? Are you looking for Toyota Avensis 2002 Manual PDF? This is definitely going to save you time and cash in something you should think about.

### **Find Toyota Avensis 2002 Manual :**

[panther xt plus manual](#)

[paper 1 maths lits setember grade 12 memo 2014](#)

[\*\*paper final exam zulu p2 2014 grade10\*\*](#)

[\*\*papers on the great depression\*\*](#)

[panther 2015 manual](#)

[paper trumpet pictures](#)

**paper 1 life science grade 11**

[pantech impact p7000 user manual](#)

[paper knights helmet template](#)

**paperand paper2 maths gradefinal exsms**

[paperlife science gradenovember 2013 final exam](#)

[papa test study guide](#)

**paper 1 mid year examination memorandam for life science grade 11**

[paper 32 biology october november](#)

**paradox esprit e55 manual**

### **Toyota Avensis 2002 Manual :**

*318 electronic technician jobs in singapore 12 new linkedin - Jan 24 2022*

web today s top 318 electronic technician jobs in singapore leverage your professional network and get hired new electronic technician jobs added daily

*electrotechnics n6 april 2012 qp searchforit biz pdf ftp dartgo - Jul 10 2023*

web apr 6 2012 electrotechnics n6 april 2012 qp searchforit biz downloaded from ftp dartgo org by guest lizeth jesus an introduction to mathematical statistics and its

*electrotechnics n6 april 2012 qp searchforit biz full pdf - Nov 02 2022*

web electrotechnics n6 april 2012 qp searchforit biz is available in our digital library an online access to it is set as public so you can get it instantly our digital library spans in

**mechanotechnics n6 april 2012 qp searchforit biz nur bcca - Jul 30 2022**

web mechanotechnics n6 april 2012 qp searchforit biz previous n5 question papers and memorandum bing august 2005 engineering science n4 question paper

*electrotechnics n6 april 2012 qp searchforit biz lms duhs edu - Mar 26 2022*

web apr 6 2012 pdf ebook electrotechnics n5 formula sheet april 2013 qp searchforit biz pdf electrotechnics n6 n5 april 2012 qp electrotechnics n5 april 2012

*electrotechnics n5 april 2012 qp searchforit biz - Apr 07 2023*

web electrotechnics n5 april 2012 qp searchforit biz alphabets and ornaments beamus de eureka academy of learning home



facebook old college exam pagers home march

*electrotechnics n5 april 2012 qp searchforit biz test* - Feb 05 2023

web apr 5 2012 electrotechnics n5 april 2012 qp searchforit biz is universally compatible with any devices to browse

electrotechnics n5 april 2012 qp searchforit

**electrotechnics n6 april 2012 qp searchforit biz pdf uniport edu** - Nov 21 2021

web may 17 2023 electrotechnics n6 april 2012 qp searchforit biz as you such as by searching the title publisher or authors of guide you essentially want you can discover

electrotechnics n5 april 2012 qp searchforit biz - Sep 12 2023

web electrotechnics n5 april 2012 qp searchforit biz globalisation and africa nov 27 2019 globalisation is often

conceptualised as a triumphant juggernaut a massive inexorable

mechanotechnics n6 april 2012 qp searchforit biz - May 28 2022

web apr 6 2012 mechanotechnics n6 april 2012 qp searchforit biz mechanotechnics n6 april 2012 qp searchforit biz is

available in our text gathering an online access to it is

*electrical technician jobs in singapore jobsdb* - Apr 26 2022

web technician maintenance technician electrical electronics training provided ea recruitment pte ltd singapore 1 800 2 500 per month no experience required

**electrotechnics n5 april 2012 qp searchforit biz** - Mar 06 2023

web apr 5 2012 march 17th 2018 free download here searchforit biz electrotechnics n5 april 2012 qp electrotechnics n5 april 2012 qp this question

*electrotechnics n5 april 2012 qp searchforit biz test* - Dec 03 2022

web apr 5 2012 if you attempt to fetch and deploy the electrotechnics n5 april 2012 qp searchforit biz it is wholly easy then currently we extend the associate to buy and

**electrotechnics n5 april 2012 qp searchforit biz pdf stephen c** - Dec 23 2021

web jun 12 2023 right here we have countless book electrotechnics n5 april 2012 qp searchforit biz pdf and collections to check out we additionally present variant types

*electrotechnics n6 april 2012 qp searchforit biz bright minds* - Jun 28 2022

web apr 6 2012 right here we have countless book electrotechnics n6 april 2012 qp searchforit biz and collections to check out we additionally pay for variant types and

**mechanotechnics n6 april 2012 qp searchforit biz rc miit edu** - Jan 04 2023

web mechanotechnics n6 november 2011 qp searchforit biz download alphabets and ornaments beamus de access the

mechanotechnics n6 april 2012 qp searchforit biz

**electrotechnics n6 april 2012 qp searchforit biz** - Oct 01 2022

web april 28th 2018 pdf ebook electrotechnics n5 formula sheet april 2013 qp searchforit biz pdf electrotechnics n6 n5 april 2012 qp electrotechnics n5 april 2012 past

**electrotechnics n5 april 2012 qp searchforit biz pdf vla ramtech** - May 08 2023

web electrotechnics n5 april 2012 qp searchforit biz pdf and numerous book collections from fictions to scientific research in any way along with them is this electrotechnics n5

**electrotechnics n5 april 2012 qp searchforit biz pdf** - Aug 31 2022

web web apr 5 2012 electrotechnics n5 april 2012 qp searchforit biz understanding machine learning nov 20 2020 introduces machine learning and its algorithmic paradigms

mechanotechnics n6 april 2012 qp searchforit biz darelova - Feb 22 2022

web apr 6 2012 mechanotechnics n6 april 2012 qp searchforit biz mechanotechnics n6 april 2012 qp searchforit biz old college exam pagers home global co za mitsubishi

electrotechnics n6 april 2012 qp searchforit biz pdf download - Jun 09 2023

web electrotechnics n6 april 2012 qp searchforit biz pdf introduction electrotechnics n6 april 2012 qp searchforit biz pdf download only title electrotechnics n6 april

*electrotechnics n5 april 2012 qp searchforit biz pdf wrbb neu* - Oct 13 2023

web book electrotechnics n5 april 2012 qp searchforit biz plus it is not directly done you could undertake even more re this life in the region of the world we provide you this

**electrotechnics n5 april 2012 qp searchforit biz pdf copy** - Aug 11 2023

web electrotechnics n5 april 2012 qp searchforit biz pdf copy isip ovcrd upd edu ph created date 9 15 2023 2 42 56 pm

**download der ewige sündenbock israel heiliger krieg und die** - Aug 03 2022

web how to get thisbook getting this book is simple and easy you can download the soft file of this book in this website not only this book entitled der ewige sündenbock israel heiliger krieg und die protokolle der weisen von zion Über d by taschenbuch you can also download other attractive online book in this website

der ewige sündenbock israel heiliger krieg und die protokolle der - Dec 07 2022

web der ewige sündenbock israel heiliger krieg und die protokolle der weisen von zion Über die scheinheiligkeit des traditionellen bildes vom nahostkonflikt tarach tilman al husseini waleed broder henryk m isbn 9783981348620 kostenloser versand für alle bücher mit versand und verkauf duch amazon

*der ewige sündenbock heiliger krieg die protokolle der weisen* - May 12 2023

web sündenbock israel heiliger krieg und die der ewige sündenbock heiliger krieg die protokolle der der ewige sündenbock israel heiliger krieg und die tilman tarach der ewige sündenbock der ewige sündenbock israel heiliger krieg der mossad hai von sharm e sheikh pi news do 2 12 2010 19 30 universität tübingen neue aula der ewige

**der ewige sündenbock heiliger krieg die protokolle der** - Mar 10 2023

web mai 2008 feiert der staat israel den 60 jahrestag seiner unabhängigkeit seither befindet sich das land im ständigen ausnahmezustand bedroht von äußeren feinden lädiert von ungelösten inneren konflikten

**der ewige sündenbock heiliger krieg die protokolle der weisen** - Jan 28 2022

web capitalism heiliger krieg und islamismus test testsieger die rezension der ewige sündenbock heiliger krieg die der ewige sündenbock heiliger krieg die protokolle der do 2 12 2010 19 30 universität tübingen neue aula audio der ewige sündenbock anti capitalism revisited tilman tarach der ewige sündenbock buchrezension zbe der ewige

der ewige sündenbock israel heiliger krieg und die protokolle der - Nov 06 2022

web teuflische allmacht Über die verleugneten christlichen wurzeln des modernen antisemitismus und antizionismus isbn 978 3981348644 der ewige sündenbock israel heiliger krieg und die protokolle der weisen von zion Über die scheinheiligkeit des traditionellen bildes vom nahostkonflikt isbn 978 3981348620

**der ewige sündenbock softcover israel heiliger krieg und die** - Oct 05 2022

web 5 aktualisierte und überarbeitete auflage 2016 kartoniert 336 seiten 213mm x 144mm x 25mm sprache n ger

**der ewige sundenbock heiliger krieg die protokoll uniport edu** - Mar 30 2022

web der ewige sundenbock heiliger krieg die protokoll 1 9 downloaded from uniport edu ng on september 7 2023 by guest der ewige sundenbock heiliger krieg die ewige sundenbock heiliger krieg die protokoll that you are looking for it will categorically squander the time however below considering you visit this web page it will be as a

*der ewige sündenbock heiliger krieg die protokolle der weisen* - Jun 13 2023

web der ewige sündenbock heiliger krieg die protokolle der weisen von zion und die verlogenheit der sogenannten linken im nahostkonflikt by tilman tarach der ewige sündenbock heiliger krieg die protokolle der weisen von zion und die verlogenheit der sogenannten linken im nahostkonflikt by tilman tarach

n tv dokumentation der ewige sündenbock pi news - Apr 30 2022

web jan 8 2008 herzlich willkommen loggen sie sich in ihrem konto ein ihr benutzername ihr passwort

*der ewige sundenbock heiliger krieg die protokoll pdf pdf* - Jul 02 2022

web der ewige sundenbock heiliger krieg die protokoll pdf upload donald u murray 1 1 downloaded from roohish com on july 16 2023 by donald u murray der ewige sundenbock heiliger krieg die protokoll pdf in a global driven by information and connectivity the ability of words has become more evident than ever

der ewige sündenbock heiliger krieg die protokolle der weisen - Feb 26 2022

web it der ewige sündenbock heiliger krieg die tarach der ewige sündenbock buchrezension zbe der ewige sündenbock heiliger krieg die protokolle der der ewige sündenbock heiliger krieg die protokolle der tilman tarach der ewige sündenbock buchrezension zbe co jp der ewige sündenbock israel heiliger krieg der ewige sündenbock heiliger

*der ewige sündenbock heiliger krieg die protokolle der* - Jan 08 2023

web heiliger krieg die protokolle der weisen von zion und die verlogenen der ewige sündenbock book read reviews from world s largest community for readers

*der ewige sündenbock heiliger krieg die protokolle der* - Aug 15 2023

web der ewige sündenbock heiliger krieg die protokolle der weisen von zion und die verlogenheit der sogenannten linken im nahostkonflikt tilman tarach isbn 9783000265839 kostenloser versand für alle bücher

*der ewige sündenbock heiliger krieg die protokolle der* - Feb 09 2023

web der ewige sündenbock heiliger krieg die der ewige sündenbock heiliger krieg die protokolle der weisen von zion bücher gebraucht antiquarisch neu kaufen bücher

**der ewige sundenbock heiliger krieg die protokoll** - Sep 04 2022

web merely said the der ewige sundenbock heiliger krieg die protokoll is universally compatible with any devices to read herr vogt a reply to mein prozess gegen die allgemeine zeitung karl marx 1860 why do you kill jürgen todenhöfer 2009 jürgen todenhöfer s book sheds light on the other side of the story reporting on how iraqi

*der ewige sündenbock heiliger krieg die protokolle der weisen* - Dec 27 2021

web der ewige sündenbock heiliger krieg die protokolle der weisen von zion und die verlogenheit der sogenannten linken im nahostkonflikt by tilman tarach der ewige sündenbock israel heiliger krieg und die der ewige suendenbock heiliger krieg die tilman tarach der ewige

*pdf der ewige sündenbock israel heiliger krieg und die* - Jul 14 2023

web mar 20 2020 1 create a free account 2 choose from our vast selection of ebook and pdf 3 please see if you are eligible to read or download book pdf der ewige sündenbock israel heiliger krieg und die protokolle der weisen von zion Über die scheinheiligkeit des traditionellen bildes vom nahostkonflikt android 4

**der ewige sündenbock heiliger krieg die protokolle der weisen** - Apr 11 2023

web heiliger krieg und die it der ewige sündenbock heiliger krieg die pressemeldung mindestens 10 tote bei angriff von audio der ewige sündenbock anti capitalism revisited tilman tarach der ewige sündenbock der mossad hai von sharm e sheikh pi news co jp der ewige sündenbock israel heiliger krieg der ewige sündenbock dig bremen read

**der ewige sundenbock heiliger krieg die protokoll copy** - Jun 01 2022

web der ewige sundenbock heiliger krieg die protokoll der ewige sundenbock heiliger krieg die protokoll 2 downloaded from klandtenhandboek dutchgiraffe com on 2023 02 02 by guest standardwerk wurde für die vorliegende fünfte auflage umfassend überarbeitet und aktualisiert deutschland's einigungskriege 1864 1871 in urkunden horst ernst arminius

**mark scheme results summer 2013 maths genie** - Apr 11 2023

web 1 the total number of marks for the paper is 75 2 the edexcel mathematics mark schemes use the following types of marks mmarks method marks are awarded for knowing a method and attempting to apply it unless otherwise indicated amarks accuracy marks can only be awarded if the relevant method m marks have been earned

*aqa find past papers and mark schemes* - Jul 14 2023

web find past papers and mark schemes for aqa exams and specimen papers for new courses

**a level mathematics mark scheme pure core 2 june 2015** - Aug 03 2022

web mark scheme a level mathematics mpc2 june 2015 no method shown where the question specifically requires a particular method to be used we must usually see evidence of use of this method for any marks to be awarded

**a level mathematics mark scheme pure core 2 june 2014** - Jun 01 2022

web mark schemes are prepared by the lead assessment writer and considered together with the relevant questions by a panel of subject teachers this mark scheme includes any amendments made at the standardisation events which all associates participate in and is the scheme which was used by them in this examination

jun 2013 aqa maths c2 mark scheme pdf uniport edu - Feb 26 2022

web you could purchase lead jun 2013 aqa maths c2 mark scheme or acquire it as soon as feasible you could quickly download this jun 2013 aqa maths c2 mark scheme after getting deal

*general certificate of education a level june 2013* - Nov 06 2022

web general certificate of education a level june 2013 mathematics specification 6360 pure core 3 final mpc3 mark scheme mark schemes are prepared by the principal examiner and considered together with the relevant questions by a panel of subject teachers

**mark scheme results january 2013 pearson qualifications** - Dec 07 2022

web mar 7 2013 a marks accuracy marks can only be awarded if the relevant method m marks have been earned b marks are unconditional accuracy marks independent of m marks marks should not be subdivided in some instances the mark distributions e g m1 b1 and a1 printed on the candidate s response may differ from the final mark

mark scheme c2 june 2012 6664 01 a level maths edexcel - Dec 27 2021

web jun 2 2012 paper code 6664 01 view the mark scheme of c2 june 2012 of the a level maths edexcel 9371 syllabus *0580 s13 ms 22 wordpress com* - Oct 05 2022

web mark scheme for the may june 2013 series 0580 mathematics 0580 22 paper 2 extended maximum raw mark 70 this mark scheme is published as an aid to teachers and candidates to indicate the requirements of the examination it shows the basis on which examiners were instructed to award marks it does not

*jun 2013 aqa maths c2 mark scheme 2022 ol wise edu* - Mar 30 2022

web merely said the jun 2013 aqa maths c2 mark scheme is universally compatible with any devices to read jun 2013 aqa maths c2 mark scheme downloaded from ol wise edu jo by guest deandre compton

**jun 2013 aqa maths c2 mark scheme pdf uniport edu** - May 12 2023

web mar 21 2023 jun 2013 aqa maths c2 mark scheme 1 9 downloaded from uniport edu ng on march 21 2023 by guest jun 2013 aqa maths c2 mark scheme as recognized adventure as competently as experience very nearly lesson amusement as without difficulty as settlement can be gotten by just checking

**mark scheme for june 2013 ocr** - Sep 04 2022

web mathematics advanced subsidiary gce unit 4722 core mathematics 2 mark scheme for june 2013 oxford cambridge and rsa examinations ocr oxford cambridge and rsa is a leading uk awarding body providing a wide range of qualifications to meet the needs of candidates of all ages and abilities

**mathematics mpc2 specification 6360 pure core 2 physics maths** - Aug 15 2023

web mpc2 aqa gce mark scheme 2013 june series 3 q solution marks total comments 1 a 20 b1 1 20 b s 2 1 1 80 1 r a m1 r a 1 used with a 80 and r 0 5 oe s 160 a1 2 nms 160 gets 2 marks unless rounding seen c s12 r r 1 801 12 12 160 1 0 5 m1 r r 1 801 12 seen or used with r 0 5 oe

[aqa all about maths june 2013](#) - Mar 10 2023

web june 2013 question papers in this area you will find pdf copies of the linear question papers from june 2013 paper 1 foundation tier question paper 2 download file 1 2 mb related resources paper 1 foundation tier mark scheme download file 154 kb related resources

**mark scheme results summer 2013 maths genie** - Apr 30 2022

web edexcel gce mathematics general instructions for marking 1 the total number of marks for the paper is 75 2 the edexcel mathematics mark schemes use the following types of marks m marks method marks are awarded for knowing a method and attempting to apply it unless otherwise indicated

*june 2005 6664 core c2 mark scheme pearson qualifications* - Jul 02 2022

web 39 400 scores full marks 39 370 scores m1 a0 c m1 can also be scored by a year by year method with terms added in this case the b1 will be scored if the correct number of years is considered answer only special case 1 042 000 scores 2 b marks scored as 1 0 0 1 other answers score no marks failure to round correctly in b

[jun2013aqamathsc2markscheme pdf nubrella](#) - Jan 28 2022

web 2 4 past paper page where you will find all the old and new past papers including the new aqa a june 2013 6663 mark scheme c2 web sumberunggas com june 2013 6663 mark scheme

**general certificate of education a level january 2013** - Feb 09 2023

web mpc2 aqa gce mark scheme 2013 jan series q solution marks total comments 3 a 5 6sin 12 5 2 1 c m1 area 5 6sin c 2 1 sin c 0 833 3 a1 awrt 0 83 or 5 6 oe pi by e g seeing 56 or better c is obtuse c 123 6<sup>o</sup> a1 3 awrt 123 6 b ab 2 2 2 5 6 2 5 6cos c m1 rhs of cosine rule used

*mark scheme results june 2011 pearson qualifications* - Jan 08 2023

web aug 17 2011 2 the edexcel mathematics mark schemes use the following types of marks m marks method marks are awarded for knowing a method and attempting to apply it unless otherwise indicated a marks accuracy marks can only be awarded if the relevant method m marks have been earned

*mark scheme c2 june 2013 mpc2 a level maths aqa 6360* - Jun 13 2023

web paper code mpc2 view the mark scheme of c2 june 2013 of the a level maths aqa 6360 syllabus