

COMPONENT PARTS CATALOG

SAVAGE - STEVENS - FOX - SPRINGFIELD
SPORTING ARMS



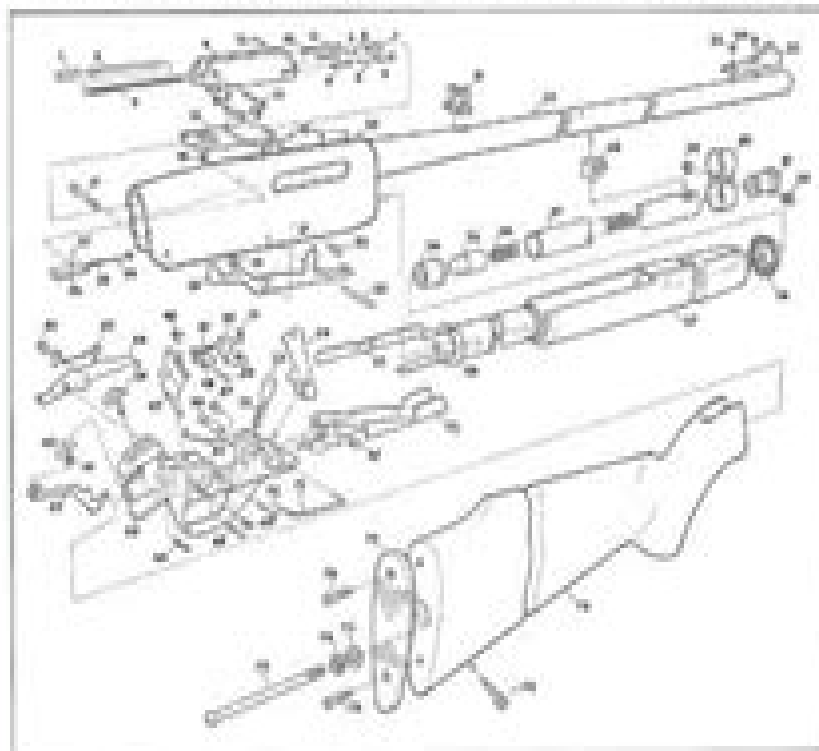
SAVAGE ARMS

DIVISION OF EMHART CORPORATION
WESTFIELD, MASSACHUSETTS 01085

COMPONENT
PARTS

Savage Model 170
Springfield Model 174
Slide Action Rifles

(When ordering parts, it is necessary to specify model number and caliber, caliber or gauge, serial number if any)



| Part No. | Part Name | Part No. | Part Name | Part No. | Part Name | Part No. | Part Name |
|----------|-----------|----------|-----------|----------|-----------|----------|-----------|
| 1 | Barrel | 101 | Receiver | 201 | Stock | 301 | Trigger |
| 2 | Receiver | 102 | Receiver | 202 | Stock | 302 | Trigger |
| 3 | Receiver | 103 | Receiver | 203 | Stock | 303 | Trigger |
| 4 | Receiver | 104 | Receiver | 204 | Stock | 304 | Trigger |
| 5 | Receiver | 105 | Receiver | 205 | Stock | 305 | Trigger |
| 6 | Receiver | 106 | Receiver | 206 | Stock | 306 | Trigger |
| 7 | Receiver | 107 | Receiver | 207 | Stock | 307 | Trigger |
| 8 | Receiver | 108 | Receiver | 208 | Stock | 308 | Trigger |
| 9 | Receiver | 109 | Receiver | 209 | Stock | 309 | Trigger |
| 10 | Receiver | 110 | Receiver | 210 | Stock | 310 | Trigger |

Savage Model 99c Series A Owners Manual

RS Peters



Savage Model 99c Series A Owners Manual:

The Top Books of the Year Savage Model 99c Series A Owners Manual The year 2023 has witnessed a remarkable surge in literary brilliance, with numerous engrossing novels captivating the hearts of readers worldwide. Lets delve into the realm of top-selling books, exploring the captivating narratives that have charmed audiences this year. Savage Model 99c Series A Owners Manual : Colleen Hoover's "It Ends with Us" This poignant tale of love, loss, and resilience has gripped readers with its raw and emotional exploration of domestic abuse. Hoover masterfully weaves a story of hope and healing, reminding us that even in the darkest of times, the human spirit can prevail. Savage Model 99c Series A Owners Manual : Taylor Jenkins Reid's "The Seven Husbands of Evelyn Hugo" This intriguing historical fiction novel unravels the life of Evelyn Hugo, a Hollywood icon who defies expectations and societal norms to pursue her dreams. Reid's absorbing storytelling and compelling characters transport readers to a bygone era, immersing them in a world of glamour, ambition, and self-discovery. Discover the Magic : Delia Owens' "Where the Crawdads Sing" This mesmerizing coming-of-age story follows Kya Clark, a young woman who grows up alone in the marshes of North Carolina. Owens spins a tale of resilience, survival, and the transformative power of nature, entrancing readers with its evocative prose and mesmerizing setting. These bestselling novels represent just a fraction of the literary treasures that have emerged in 2023. Whether you seek tales of romance, adventure, or personal growth, the world of literature offers an abundance of compelling stories waiting to be discovered. The novel begins with Richard Papen, a bright but troubled young man, arriving at Hampden College. Richard is immediately drawn to the group of students who call themselves the Classics Club. The club is led by Henry Winter, a brilliant and charismatic young man. Henry is obsessed with Greek mythology and philosophy, and he quickly draws Richard into his world. The other members of the Classics Club are equally as fascinating. Bunny Corcoran is a wealthy and spoiled young man who is always looking for a good time. Charles Tavis is a quiet and reserved young man who is deeply in love with Henry. Camilla Macaulay is a beautiful and intelligent young woman who is drawn to the power and danger of the Classics Club. The students are all deeply in love with Morrow, and they are willing to do anything to please him. Morrow is a complex and mysterious figure, and he seems to be manipulating the students for his own purposes. As the students become more involved with Morrow, they begin to commit increasingly dangerous acts. The Secret History is a brilliant and gripping novel that will keep you speculating until the very end. The novel is a warning tale about the dangers of obsession and the power of evil.

https://www.hersolutiongelbuy.com/book/scholarship/Download_PDFS/prentice_hall_gold_geometry_practice_5_1_answers.pdf

Table of Contents Savage Model 99c Series A Owners Manual

1. Understanding the eBook Savage Model 99c Series A Owners Manual
 - The Rise of Digital Reading Savage Model 99c Series A Owners Manual
 - Advantages of eBooks Over Traditional Books
2. Identifying Savage Model 99c Series A Owners Manual
 - Exploring Different Genres
 - Considering Fiction vs. Non-Fiction
 - Determining Your Reading Goals
3. Choosing the Right eBook Platform
 - Popular eBook Platforms
 - Features to Look for in an Savage Model 99c Series A Owners Manual
 - User-Friendly Interface
4. Exploring eBook Recommendations from Savage Model 99c Series A Owners Manual
 - Personalized Recommendations
 - Savage Model 99c Series A Owners Manual User Reviews and Ratings
 - Savage Model 99c Series A Owners Manual and Bestseller Lists
5. Accessing Savage Model 99c Series A Owners Manual Free and Paid eBooks
 - Savage Model 99c Series A Owners Manual Public Domain eBooks
 - Savage Model 99c Series A Owners Manual eBook Subscription Services
 - Savage Model 99c Series A Owners Manual Budget-Friendly Options
6. Navigating Savage Model 99c Series A Owners Manual eBook Formats
 - ePub, PDF, MOBI, and More
 - Savage Model 99c Series A Owners Manual Compatibility with Devices
 - Savage Model 99c Series A Owners Manual Enhanced eBook Features
7. Enhancing Your Reading Experience
 - Adjustable Fonts and Text Sizes of Savage Model 99c Series A Owners Manual
 - Highlighting and Note-Taking Savage Model 99c Series A Owners Manual
 - Interactive Elements Savage Model 99c Series A Owners Manual

8. Staying Engaged with Savage Model 99c Series A Owners Manual
 - Joining Online Reading Communities
 - Participating in Virtual Book Clubs
 - Following Authors and Publishers Savage Model 99c Series A Owners Manual
9. Balancing eBooks and Physical Books Savage Model 99c Series A Owners Manual
 - Benefits of a Digital Library
 - Creating a Diverse Reading Collection Savage Model 99c Series A Owners Manual
10. Overcoming Reading Challenges
 - Dealing with Digital Eye Strain
 - Minimizing Distractions
 - Managing Screen Time
11. Cultivating a Reading Routine Savage Model 99c Series A Owners Manual
 - Setting Reading Goals Savage Model 99c Series A Owners Manual
 - Carving Out Dedicated Reading Time
12. Sourcing Reliable Information of Savage Model 99c Series A Owners Manual
 - Fact-Checking eBook Content of Savage Model 99c Series A Owners Manual
 - Distinguishing Credible Sources
13. Promoting Lifelong Learning
 - Utilizing eBooks for Skill Development
 - Exploring Educational eBooks
14. Embracing eBook Trends
 - Integration of Multimedia Elements
 - Interactive and Gamified eBooks

Savage Model 99c Series A Owners Manual Introduction

In today's digital age, the availability of Savage Model 99c Series A Owners Manual books and manuals for download has revolutionized the way we access information. Gone are the days of physically flipping through pages and carrying heavy textbooks or manuals. With just a few clicks, we can now access a wealth of knowledge from the comfort of our own homes or on the go. This article will explore the advantages of Savage Model 99c Series A Owners Manual books and manuals for download, along with some popular platforms that offer these resources. One of the significant advantages of Savage Model

99c Series A Owners Manual books and manuals for download is the cost-saving aspect. Traditional books and manuals can be costly, especially if you need to purchase several of them for educational or professional purposes. By accessing Savage Model 99c Series A Owners Manual versions, you eliminate the need to spend money on physical copies. This not only saves you money but also reduces the environmental impact associated with book production and transportation. Furthermore, Savage Model 99c Series A Owners Manual books and manuals for download are incredibly convenient. With just a computer or smartphone and an internet connection, you can access a vast library of resources on any subject imaginable. Whether you're a student looking for textbooks, a professional seeking industry-specific manuals, or someone interested in self-improvement, these digital resources provide an efficient and accessible means of acquiring knowledge. Moreover, PDF books and manuals offer a range of benefits compared to other digital formats. PDF files are designed to retain their formatting regardless of the device used to open them. This ensures that the content appears exactly as intended by the author, with no loss of formatting or missing graphics. Additionally, PDF files can be easily annotated, bookmarked, and searched for specific terms, making them highly practical for studying or referencing. When it comes to accessing Savage Model 99c Series A Owners Manual books and manuals, several platforms offer an extensive collection of resources. One such platform is Project Gutenberg, a nonprofit organization that provides over 60,000 free eBooks. These books are primarily in the public domain, meaning they can be freely distributed and downloaded. Project Gutenberg offers a wide range of classic literature, making it an excellent resource for literature enthusiasts. Another popular platform for Savage Model 99c Series A Owners Manual books and manuals is Open Library. Open Library is an initiative of the Internet Archive, a non-profit organization dedicated to digitizing cultural artifacts and making them accessible to the public. Open Library hosts millions of books, including both public domain works and contemporary titles. It also allows users to borrow digital copies of certain books for a limited period, similar to a library lending system. Additionally, many universities and educational institutions have their own digital libraries that provide free access to PDF books and manuals. These libraries often offer academic texts, research papers, and technical manuals, making them invaluable resources for students and researchers. Some notable examples include MIT OpenCourseWare, which offers free access to course materials from the Massachusetts Institute of Technology, and the Digital Public Library of America, which provides a vast collection of digitized books and historical documents. In conclusion, Savage Model 99c Series A Owners Manual books and manuals for download have transformed the way we access information. They provide a cost-effective and convenient means of acquiring knowledge, offering the ability to access a vast library of resources at our fingertips. With platforms like Project Gutenberg, Open Library, and various digital libraries offered by educational institutions, we have access to an ever-expanding collection of books and manuals. Whether for educational, professional, or personal purposes, these digital resources serve as valuable tools for continuous learning and self-improvement. So why not take advantage of the vast world of Savage Model 99c Series

A Owners Manual books and manuals for download and embark on your journey of knowledge?

FAQs About Savage Model 99c Series A Owners Manual Books

How do I know which eBook platform is the best for me? Finding the best eBook platform depends on your reading preferences and device compatibility. Research different platforms, read user reviews, and explore their features before making a choice. Are free eBooks of good quality? Yes, many reputable platforms offer high-quality free eBooks, including classics and public domain works. However, make sure to verify the source to ensure the eBook credibility. Can I read eBooks without an eReader? Absolutely! Most eBook platforms offer webbased readers or mobile apps that allow you to read eBooks on your computer, tablet, or smartphone. How do I avoid digital eye strain while reading eBooks? To prevent digital eye strain, take regular breaks, adjust the font size and background color, and ensure proper lighting while reading eBooks. What the advantage of interactive eBooks? Interactive eBooks incorporate multimedia elements, quizzes, and activities, enhancing the reader engagement and providing a more immersive learning experience. Savage Model 99c Series A Owners Manual is one of the best book in our library for free trial. We provide copy of Savage Model 99c Series A Owners Manual in digital format, so the resources that you find are reliable. There are also many Ebooks of related with Savage Model 99c Series A Owners Manual. Where to download Savage Model 99c Series A Owners Manual online for free? Are you looking for Savage Model 99c Series A Owners Manual PDF? This is definitely going to save you time and cash in something you should think about. If you trying to find then search around for online. Without a doubt there are numerous these available and many of them have the freedom. However without doubt you receive whatever you purchase. An alternate way to get ideas is always to check another Savage Model 99c Series A Owners Manual. This method for see exactly what may be included and adopt these ideas to your book. This site will almost certainly help you save time and effort, money and stress. If you are looking for free books then you really should consider finding to assist you try this. Several of Savage Model 99c Series A Owners Manual are for sale to free while some are payable. If you arent sure if the books you would like to download works with for usage along with your computer, it is possible to download free trials. The free guides make it easy for someone to free access online library for download books to your device. You can get free download on free trial for lots of books categories. Our library is the biggest of these that have literally hundreds of thousands of different products categories represented. You will also see that there are specific sites catered to different product types or categories, brands or niches related with Savage Model 99c Series A Owners Manual. So depending on what exactly you are searching, you will be able to choose e books to suit your own need. Need to access completely for Campbell Biology Seventh Edition book? Access Ebook without any digging. And by having access to our ebook online or by storing it on your computer, you have convenient

answers with Savage Model 99c Series A Owners Manual To get started finding Savage Model 99c Series A Owners Manual, you are right to find our website which has a comprehensive collection of books online. Our library is the biggest of these that have literally hundreds of thousands of different products represented. You will also see that there are specific sites catered to different categories or niches related with Savage Model 99c Series A Owners Manual So depending on what exactly you are searching, you will be able to choose ebook to suit your own need. Thank you for reading Savage Model 99c Series A Owners Manual. Maybe you have knowledge that, people have search numerous times for their favorite readings like this Savage Model 99c Series A Owners Manual, but end up in harmful downloads. Rather than reading a good book with a cup of coffee in the afternoon, instead they juggled with some harmful bugs inside their laptop. Savage Model 99c Series A Owners Manual is available in our book collection an online access to it is set as public so you can download it instantly. Our digital library spans in multiple locations, allowing you to get the most less latency time to download any of our books like this one. Merely said, Savage Model 99c Series A Owners Manual is universally compatible with any devices to read.

Find Savage Model 99c Series A Owners Manual :

[prentice hall gold geometry practice 5 1 answers](#)

[prentice hall gold algebra 2 63](#)

preparation of french toast acclaim of french toasts

preschool all about me

preset manual white balance nikon d5100

prentice hall world geography workbook answers

[prentice hall gold algebra 2 functions](#)

preventive care guidelines for 2014

[prentice hall gold geometry practice 9 6](#)

[presbyterian call to worship for july 7](#)

[prentice hall literature anglo saxon age](#)

preschool teacher we worship you

preparator memo mathematical literacy paper2 2014

[preschool bible lessons on psalm 95](#)

prentice hall gold geometry chapter 9 study guide

Savage Model 99c Series A Owners Manual :

life after dubai lópez carmen amazon com au books - May 31 2022

web select the department you want to search in

life after dubai paperback 31 jan 2019 amazon co uk - Oct 04 2022

web select the department you want to search in

instagram - Oct 24 2021

web sep 9 2023 find out below germany and serbia will face off in the final of the 2023 fiba world cup on sunday 10

september and after taking down two north american

china s economy shows signs of life after beijing s stimulus - Apr 17 2021

web 3 hours ago 00 00 16 36 this week marks the first anniversary of mahsa amini s death in police custody which sparked mass protests across iran the government has since

life after dubai by carmen lópez goodreads - Jul 13 2023

web jan 13 2018 reflections on life after leaving dubai or how i learned to stop worrying and love home preamble i finally have found myself with a bit of spare time to discuss

woman life freedom iran one year after mahsa amini s death - Jan 15 2021

web 18 hours ago a seattle police officer is under investigation after his body worn camera captured a phone conversation following the death of a woman who was fatally struck by

danelo cavalcante dog captures crawling pennsylvania murderer - Nov 12 2020

web 2 days ago in his career williams had 223 receptions for 3 089 yards and 26 touchdowns in 63 nfl games former nfl wide receiver mike williams died tuesday morning after

reflections on life after leaving dubai or how i learned to - Jun 12 2023

web life after dubai is a funny and touching memoir about a twenty something girl who pushed by the desire of living an international experience away from home together with the

saying goodbye to the uae expats contemplate life after dubai - Jun 07 2020

who is jaahnavi kandula indian student s life worth more than - Mar 17 2021

web 2 days ago wang bin the former chairman of one of china s biggest life insurers will spend the rest of his life in jail after a court found him guilty of corruption wang 64 was

life after dubai by lopez carmen amazon ae - Feb 08 2023

web abebooks com life after dubai 9781795493031 by lópez carmen and a great selection of similar new used and collectible

books available now at great prices

life after dubai lopez carmen amazon in books - Aug 02 2022

web find books like life after dubai from the world s largest community of readers goodreads members who liked life after dubai also liked maid in dubai d

life after dubai kindle edition amazon co uk - May 11 2023

web after her father s death carmen moves back home from dubai and struggles with reverse cultural shock paperback edition this carmen lopez novel comes in a paperback

life after dubai ebook lópez carmen amazon in kindle store - Jul 01 2022

web select the department you want to search in

life after dubai lópez carmen ebook amazon com - Apr 10 2023

web dec 10 2016 a lot has been said and written about life after dubai so taking a closer look let s talk about 6 perks you enjoy while living in dubai that you ll definitely miss if

former nfl wide receiver mike williams dies at 36 following - Aug 10 2020

seattle police officer under investigation as footage shows him - Oct 12 2020

web jan 31 2019 8 33 get fast free shipping with amazon prime free returns free delivery saturday april 22 if you spend 25 on items shipped by amazon or fastest

purpose in life may decline after a dementia diagnosis experts - Feb 13 2021

web 2 days ago danelo cavalcante 34 was arrested in a wooded area in pennsylvania on wednesday as he tried to crawl away from officers who had surrounded him more than

books similar to life after dubai goodreads - Apr 29 2022

web sep 11 2021 life post covid 19 this page contains publications that predict future trends in the areas of retail sector education telecommunications and work spaces in a

saying goodbye to the uae expats contemplate life - Aug 14 2023

web jan 29 2019 carmen lópez 3 62 100 ratings5 reviews how would you feel if after escaping from the golden cage of dubai you didn t know where home was

life after dubai lópez carmen amazon nl books - Feb 25 2022

web sep 11 2023 12 15 11 sep 2023 bookmark she made a huge name for herself in the 90s but one fifth of legendary 90s band steps decided to swap her glitzy showbiz career

caesars palace dubai to close after 5 years to become banyan - Sep 22 2021

web 19 hours ago opinion life after prison iranian women who stood up for mahsa amini by yalda moaiery september 14 2023 at 6 09 p m edt sima golshenas 36 pictured in a
life after dubai lópez carmen 9781795493031 amazon com - Jul 09 2020

step feed - Jan 07 2023

web buy life after dubai by lópez carmen isbn 9781795493031 from amazon s book store everyday low prices and free delivery on eligible orders life after dubai

life after dubai lópez carmen amazon com tr kitap - Sep 03 2022

web select the department you want to search in

danilo cavalcante investigators describe how inmate managed - Sep 10 2020

web jul 27 2021 saying goodbye to the uae expats contemplate life after dubai in the news july 27 2021 termination retirement or part of a life plan these residents are

life after dubai lópez carmen 9781795493031 abebooks - Nov 05 2022

web select the department you want to search in

fiba world cup 2023 final how to watch germany v serbia live - Jul 21 2021

web 2 hours ago from commodities to retail china s economy is showing signs of life after beijing s stimulus frenzy chinese president xi jinping attends a meeting at the united

inside huge 90s pop star s life as a headteacher in dubai after - Nov 24 2021

web sep 9 2023 an ex ambassador to pakistan and the uae faces sentencing after an investigation exposed tuition payoff for one girlfriend and an emir s gift of 60 000 in

life after prison iranian women who stood up for mahsa amini - Jun 19 2021

web sep 15 2023 that says it all end of story relatives in seattle arranged to send jaahnavi s body back to india a gofundme page set up after her death raised more than 161 000

life after dubai lópez carmen 9781795493031 books - Mar 29 2022

web other b burj al arab burj khalifa w user blog wingman1 burj pentominium user blog wingman1 the wave tower community content is available under cc by sa

this emmy nominated filmmaker shows life in sierra leone - May 19 2021

web 1 day ago cnn a person s sense of purpose declines leading up to and following a diagnosis of dementia or cognitive decline according to a new study purpose in life is

living in dubai the essential expat guide - Mar 09 2023

web apr 14 2023 in life after dubai carmen takes us not just through her life after dubai but also through her life before it the experiences and the many challenges that she

[category dubai life after people wiki fandom](#) - Dec 26 2021

web 2 days ago after the group s ceo said in early 2022 he had always assumed the resort would one day be set up for gaming the las vegas brand retracts from dubai one week

[chinese insurance boss sentenced to life in jail for corruption](#) - Dec 14 2020

web 11 hours ago danilo cavalcante explained how he was able to evade capture after his escape from a pennsylvania jail including moments when officers passed within yards of

[life post covid 19 the official portal of the uae government](#) - Jan 27 2022

web instagram

[life after dubai carmen lopez book review bookgeeks](#) - Dec 06 2022

web arama yapmak istediğiniz kategoriye seçin

[ex ambassador investigated for diamonds girlfriends illicit](#) - Aug 22 2021

web 6 hours ago hunter Biden indicted on gun charges gas prices above 4 in more than a dozen states this Emmy nominated filmmaker shows life in Sierra Leone link copied

[microsoft excel 2007 basiswissen das lernbuch für pdf](#) - Mar 14 2023

web jul 14 2023 microsoft excel 2007 basiswissen das lernbuch für 2 10 downloaded from uniport.edu.ng on July 14 2023 by guest creating and editing worksheets formatting

microsoft excel 2007 basiswissen das lernbuch für excel - Apr 15 2023

web powerpoint 2007 das lernbuch für einsteiger de June 4th 2020 microsoft excel 2007 basiswissen das lernbuch für excel einsteiger von Christian Bildner Taschenbuch 9 90

microsoft excel 2007 basiswissen das lernbuch für excel - Oct 29 2021

web Jun 17 2023 microsoft excel 2007 basiswissen das lernbuch für excel einsteiger by Christian Bildner microsoft excel 2007 basiswissen das lernbuch für excel einsteiger

herunterladen pdf microsoft excel 2007 basiswissen das - May 16 2023

web Aug 20 2023 pdf epub microsoft excel 2007 basiswissen das lernbuch für excel einsteiger begleitheft für excel einsteiger downloaden die ersten Schritte in Excel

microsoft office excel 2007 das handbuch gebundene - Nov 10 2022

web May 11 2023 merely said the microsoft excel 2007 basiswissen das lernbuch für is universally compatible once any devices to read software architecture foundation

excel 2007 aufbauwissen mit vba einführung das lernbuch für excel - May 04 2022

web word 2007 basiswissen das lernbuch für word einsteiger christian bildner isbn 9783832800215 kostenloser versand für alle bücher mit versand und verkauf duch amazon

microsoft excel 2007 basiswissen das lernbuch fur pdf 2023 - Jul 18 2023

web this extraordinary book aptly titled microsoft excel 2007 basiswissen das lernbuch fur pdf written by a very acclaimed author immerses readers in a captivating exploration of

word 2007 basiswissen das lernbuch für word einsteiger - Apr 03 2022

web 4 excel 2010 basiswissen das lernbuch fur excel ein 2022 12 30 key surgical techniques keeps you aware of advances in the field and practical knowledge of animal

microsoft excel 2007 basiswissen das lernbuch fur pdf - Oct 09 2022

web merely said the microsoft excel 2007 basiswissen das lernbuch fur is universally compatible following any devices to read microsoft excel 2007 basiswissen das

microsoft excel 2007 basiswissen das lernbuch fur uniport edu - Nov 29 2021

web microsoft excel 2007 basiswissen das lernbuch für excel einsteiger by christian bildner excel 2010 basiswissen das lernbuch für excel may 14th 2020 lernen sie

microsoft excel 2007 basiswissen das lernbuch fur 2022 - Aug 07 2022

web praxisbuch für microsoft excel microsoft excel 2007 aufbauwissen excel buch hörbücher 6 vba für excel 2007 problem mit einem makroablauf richtig einsteigen excel

microsoft excel 2007 basiswissen das lernbuch für excel - Aug 19 2023

web microsoft excel 2007 basiswissen das lernbuch für excel einsteiger christian bildner isbn 9783832800208 kostenloser versand für alle bücher mit versand und

microsoft excel 2007 basiswissen das lernbuch für excel - Jun 17 2023

web microsoft excel 2007 basiswissen das lernbuch für excel einsteiger by christian bildner microsoft excel 2007 basiswissen das lernbuch für excel einsteiger by

microsoft excel 2007 basiswissen das lernbuch fur pdf - Dec 11 2022

web außerdem finden sie alles was sie wissen wollen schnell und gezielt über die vielfältigen verzeichnisse und indizes im buch oder über die suchfunktionalität im beiliegenden

microsoft excel 2007 basiswissen das lernbuch fur pdf - Sep 08 2022

web later this microsoft excel 2007 basiswissen das lernbuch fur but end stirring in harmful downloads rather than enjoying a fine ebook when a cup of coffee in the afternoon

[excel 2010 basiswissen das lernbuch fur excel ein 2022](#) - Mar 02 2022

web microsoft excel 2007 basiswissen das lernbuch fur right here we have countless ebook microsoft excel 2007 basiswissen das lernbuch fur and collections to check

microsoft excel 2007 basiswissen das lernbuch für excel - Sep 27 2021

excel 2007 aufbauwissen mit vba einführung das lernbuch für - Jul 06 2022

web bremer liederbuch im auftr d kreisobmannes d nat soz lehrerbundes kreis bremen walter kreikemeyer bearb u hrsg von oskar zweibarth hermann niemeyer u a

[microsoft excel 2007 basiswissen das lernbuch für excel](#) - Jun 05 2022

web excel 2007 aufbauwissen mit vba einführung das lernbuch für excel problemlöser by christian bildner vbaeinfuehrung das lernbuch richtig einsteigen excel vba programmierung fur microsoft excel 2010 aufbauwissen buch versandkostenfrei service schulungsunterlagen eu easy ms office vba einführung excel 2007 mit excel der

[excel 2007 das umfassende handbuch von heise de](#) - Jan 12 2023

web right here we have countless book microsoft excel 2007 basiswissen das lernbuch fur and collections to check out we additionally manage to pay for variant types and as

microsoft excel 2007 basiswissen das lernbuch fur - Feb 01 2022

web excel 2010 basiswissen das lernbuch fur excel ein downloaded from test downing co uk by guest moyer kendal microsoft word 2016 step by step epubli

microsoft excel 2007 gratis handbuch aus dem internet laden - Feb 13 2023

web dec 12 2007 12 12 2007 11 34 uhr der verlag galileo press stellt ein über 1 000 seiten starkes handbuch zur tabellenkalkulation microsoft excel 2007 gratis zum download

[excel 2010 basiswissen das lernbuch fur excel ein pdf](#) - Dec 31 2021

web jul 2 2023 this microsoft excel 2007 basiswissen das lernbuch fur as one of the most lively sellers here will categorically be in the midst of the best options to review

[balon wali chut form signnow](#) - Sep 16 2023

web use its powerful functionality with a simple to use intuitive interface to fill out balon wali fuddi online e sign them and quickly share them without jumping tabs follow our step

boor chodne shaadi mein jarur aana burwa baba new - Nov 06 2022

web jun 10 2020 pari asman ke bhojpuri most lovable romantic song vinay singh amar rao karishma vishwakarma michael baba bhojpuri new love song ever pal

[bina balon wali chut fill and sign printable template](#) - Jul 14 2023

web from now on fill out bina balon wali chut from home workplace as well as while on the move get form experience a faster way to fill out and sign forms on the web

bolawal botto funny video pakistan video dailymotion - Feb 09 2023

web mar 23 2014 syed yasir shah follow 9 years ago

[suhagraat ki pehli raat ki video first night full video](#) - Aug 15 2023

web nov 24 2016 viral movidz 3 19 rangeela sasur crime stories be alert new episode ep 01 primehotflix 5 09 first night of marriage in islam wedding

[chut photo photos and premium high res pictures getty images](#) - Jul 02 2022

web browse getty images premium collection of high quality authentic chut photo stock photos royalty free images and pictures chut photo stock photos are available in a

sasur bahu ke sambandh a true - May 12 2023

web mar 15 2020 bahu ko sasur se pyaar movie box 24 31 rangeela sasur crime stories be alert s k motions originals new episode

bagal wali jaan mareli hits of manoj tiwari full video song - Mar 30 2022

web mar 26 2012 one of the hit songs of bhojpuri cinema pagal wali jaan mareli sung by manoj tiwari mridul song pagalwali jaan maareli album

free download borrow and - Oct 05 2022

web mar 5 2018

[aurat photos poster images photos wallpapers bollywood](#) - Mar 10 2023

web 2 days ago download free aurat hd wallpapers hd images get the latest aurat photo gallery party photos and movie stills also stay updated on aurat latest news videos

[chut wali chut chut ke video chut comedy video youtube](#) - Apr 30 2022

web dec 16 2020 chut wali chut chut ke video chut comedy video gali comedy video chut wali chut chut ke video chut gali galoj wali comedy gali wali comedy video c

- Jun 13 2023

web apr 15 2018

- Feb 26 2022

web jun 23 2018 apni biwi ka doodh or chut ka pani pi sakta hnu reply pappu on november 6 2019 10 51 pm haan bhai piyo aur sabko pilao reply abhi thakur on june 13 2021

chut image photos and premium high res pictures - Dec 07 2022

web browse getty images premium collection of high quality authentic chut image stock photos royalty free images and pictures chut image stock photos are available in a

boor wala photos gallery of boor wala pictures and images - Apr 11 2023

web boor wala photos page brings you a collection of photos from boor wala in firozpur district if you have any interesting images from boor wala please share with the rest of

chut ke lambe bal photo in english with examples mymemory - Jan 08 2023

web jun 28 2020 contextual translation of chut ke lambe bal photo into english human translations with examples hindi ँ ँ ँ ँ pussy hair chut ke bal chut ke photo

chhoti chhoti gaiya chhote chhote video song hungama com - Aug 03 2022

web play full chhoti chhoti gaiya chhote chhote video song music from sarnam devotional video chhoti chhoti gaiya chhote chhote song sung by various the album sarnam

vrat wale aloo cheese balls ँ ँ ँ ँ **youtube** - Jan 28 2022

web ँ

hot story zone part 2 hi readers meri is chudai ki facebook - Jun 01 2022

web dec 21 2020 mera ab khud par control nhi rha aur maine direct maa ki balo wali chut par ungliya rakhi aur main use sehalane lag gya bhayio aur behen ye kahani ek dam 100

balu bilalbutt 143 tiktok - Sep 04 2022

web videos liked 1043 sleep well then ride well balus keepsupporting balusfam 2332 hbd abdullah balus keepsupporting balusfam 1412 1980