

COMPONENT PARTS CATALOG

SAVAGE - STEVENS - FOX - SPRINGFIELD
SPORTING ARMS



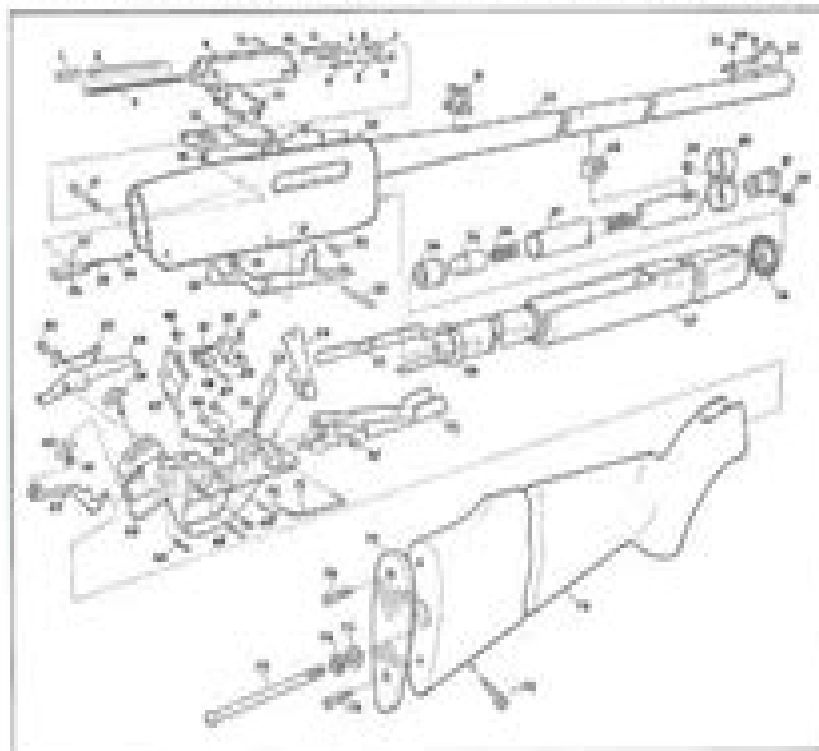
SAVAGE ARMS

DIVISION OF EMHART CORPORATION
WESTFIELD, MASSACHUSETTS 01085

COMPONENT
PARTS

Savage Model 170
Springfield Model 174
Slide Action Rifles

(When ordering parts, it is necessary to specify model number and caliber, caliber or gauge, serial number if any)



Part No.	Part Name	Part No.	Part Name	Part No.	Part Name	Part No.	Part Name
1	Barrel	101	Receiver	201	Stock	301	Trigger
2	Receiver	102	Receiver	202	Stock	302	Trigger
3	Receiver	103	Receiver	203	Stock	303	Trigger
4	Receiver	104	Receiver	204	Stock	304	Trigger
5	Receiver	105	Receiver	205	Stock	305	Trigger
6	Receiver	106	Receiver	206	Stock	306	Trigger
7	Receiver	107	Receiver	207	Stock	307	Trigger
8	Receiver	108	Receiver	208	Stock	308	Trigger
9	Receiver	109	Receiver	209	Stock	309	Trigger
10	Receiver	110	Receiver	210	Stock	310	Trigger

Savage Fox Owners Manual

Jiyuan Zhang



Savage Fox Owners Manual:

Immerse yourself in the artistry of words with Crafted by is expressive creation, Immerse Yourself in **Savage Fox Owners Manual** . This ebook, presented in a PDF format (PDF Size: *), is a masterpiece that goes beyond conventional storytelling. Indulge your senses in prose, poetry, and knowledge. Download now to let the beauty of literature and artistry envelop your mind in a unique and expressive way.

https://www.hersolutiongelbuy.com/book/virtual-library/HomePages/Relion_Prime_Instruction_Manual.pdf

Table of Contents Savage Fox Owners Manual

1. Understanding the eBook Savage Fox Owners Manual
 - The Rise of Digital Reading Savage Fox Owners Manual
 - Advantages of eBooks Over Traditional Books
2. Identifying Savage Fox Owners Manual
 - Exploring Different Genres
 - Considering Fiction vs. Non-Fiction
 - Determining Your Reading Goals
3. Choosing the Right eBook Platform
 - Popular eBook Platforms
 - Features to Look for in an Savage Fox Owners Manual
 - User-Friendly Interface
4. Exploring eBook Recommendations from Savage Fox Owners Manual
 - Personalized Recommendations
 - Savage Fox Owners Manual User Reviews and Ratings
 - Savage Fox Owners Manual and Bestseller Lists
5. Accessing Savage Fox Owners Manual Free and Paid eBooks
 - Savage Fox Owners Manual Public Domain eBooks
 - Savage Fox Owners Manual eBook Subscription Services
 - Savage Fox Owners Manual Budget-Friendly Options

6. Navigating Savage Fox Owners Manual eBook Formats
 - ePub, PDF, MOBI, and More
 - Savage Fox Owners Manual Compatibility with Devices
 - Savage Fox Owners Manual Enhanced eBook Features
7. Enhancing Your Reading Experience
 - Adjustable Fonts and Text Sizes of Savage Fox Owners Manual
 - Highlighting and Note-Taking Savage Fox Owners Manual
 - Interactive Elements Savage Fox Owners Manual
8. Staying Engaged with Savage Fox Owners Manual
 - Joining Online Reading Communities
 - Participating in Virtual Book Clubs
 - Following Authors and Publishers Savage Fox Owners Manual
9. Balancing eBooks and Physical Books Savage Fox Owners Manual
 - Benefits of a Digital Library
 - Creating a Diverse Reading Collection Savage Fox Owners Manual
10. Overcoming Reading Challenges
 - Dealing with Digital Eye Strain
 - Minimizing Distractions
 - Managing Screen Time
11. Cultivating a Reading Routine Savage Fox Owners Manual
 - Setting Reading Goals Savage Fox Owners Manual
 - Carving Out Dedicated Reading Time
12. Sourcing Reliable Information of Savage Fox Owners Manual
 - Fact-Checking eBook Content of Savage Fox Owners Manual
 - Distinguishing Credible Sources
13. Promoting Lifelong Learning
 - Utilizing eBooks for Skill Development
 - Exploring Educational eBooks
14. Embracing eBook Trends
 - Integration of Multimedia Elements

- Interactive and Gamified eBooks

Savage Fox Owners Manual Introduction

Free PDF Books and Manuals for Download: Unlocking Knowledge at Your Fingertips In today's fast-paced digital age, obtaining valuable knowledge has become easier than ever. Thanks to the internet, a vast array of books and manuals are now available for free download in PDF format. Whether you are a student, professional, or simply an avid reader, this treasure trove of downloadable resources offers a wealth of information, conveniently accessible anytime, anywhere. The advent of online libraries and platforms dedicated to sharing knowledge has revolutionized the way we consume information. No longer confined to physical libraries or bookstores, readers can now access an extensive collection of digital books and manuals with just a few clicks. These resources, available in PDF, Microsoft Word, and PowerPoint formats, cater to a wide range of interests, including literature, technology, science, history, and much more. One notable platform where you can explore and download free Savage Fox Owners Manual PDF books and manuals is the internet's largest free library. Hosted online, this catalog compiles a vast assortment of documents, making it a veritable goldmine of knowledge. With its easy-to-use website interface and customizable PDF generator, this platform offers a user-friendly experience, allowing individuals to effortlessly navigate and access the information they seek. The availability of free PDF books and manuals on this platform demonstrates its commitment to democratizing education and empowering individuals with the tools needed to succeed in their chosen fields. It allows anyone, regardless of their background or financial limitations, to expand their horizons and gain insights from experts in various disciplines. One of the most significant advantages of downloading PDF books and manuals lies in their portability. Unlike physical copies, digital books can be stored and carried on a single device, such as a tablet or smartphone, saving valuable space and weight. This convenience makes it possible for readers to have their entire library at their fingertips, whether they are commuting, traveling, or simply enjoying a lazy afternoon at home. Additionally, digital files are easily searchable, enabling readers to locate specific information within seconds. With a few keystrokes, users can search for keywords, topics, or phrases, making research and finding relevant information a breeze. This efficiency saves time and effort, streamlining the learning process and allowing individuals to focus on extracting the information they need. Furthermore, the availability of free PDF books and manuals fosters a culture of continuous learning. By removing financial barriers, more people can access educational resources and pursue lifelong learning, contributing to personal growth and professional development. This democratization of knowledge promotes intellectual curiosity and empowers individuals to become lifelong learners, promoting progress and innovation in various fields. It is worth noting that while accessing free Savage Fox Owners Manual PDF books and manuals is convenient and cost-effective, it is vital to respect copyright laws and intellectual property rights. Platforms offering free downloads often operate within legal boundaries,

ensuring that the materials they provide are either in the public domain or authorized for distribution. By adhering to copyright laws, users can enjoy the benefits of free access to knowledge while supporting the authors and publishers who make these resources available. In conclusion, the availability of Savage Fox Owners Manual free PDF books and manuals for download has revolutionized the way we access and consume knowledge. With just a few clicks, individuals can explore a vast collection of resources across different disciplines, all free of charge. This accessibility empowers individuals to become lifelong learners, contributing to personal growth, professional development, and the advancement of society as a whole. So why not unlock a world of knowledge today? Start exploring the vast sea of free PDF books and manuals waiting to be discovered right at your fingertips.

FAQs About Savage Fox Owners Manual Books

1. Where can I buy Savage Fox Owners Manual books? Bookstores: Physical bookstores like Barnes & Noble, Waterstones, and independent local stores. Online Retailers: Amazon, Book Depository, and various online bookstores offer a wide range of books in physical and digital formats.
2. What are the different book formats available? Hardcover: Sturdy and durable, usually more expensive. Paperback: Cheaper, lighter, and more portable than hardcovers. E-books: Digital books available for e-readers like Kindle or software like Apple Books, Kindle, and Google Play Books.
3. How do I choose a Savage Fox Owners Manual book to read? Genres: Consider the genre you enjoy (fiction, non-fiction, mystery, sci-fi, etc.). Recommendations: Ask friends, join book clubs, or explore online reviews and recommendations. Author: If you like a particular author, you might enjoy more of their work.
4. How do I take care of Savage Fox Owners Manual books? Storage: Keep them away from direct sunlight and in a dry environment. Handling: Avoid folding pages, use bookmarks, and handle them with clean hands. Cleaning: Gently dust the covers and pages occasionally.
5. Can I borrow books without buying them? Public Libraries: Local libraries offer a wide range of books for borrowing. Book Swaps: Community book exchanges or online platforms where people exchange books.
6. How can I track my reading progress or manage my book collection? Book Tracking Apps: Goodreads, LibraryThing, and Book Catalogue are popular apps for tracking your reading progress and managing book collections. Spreadsheets: You can create your own spreadsheet to track books read, ratings, and other details.
7. What are Savage Fox Owners Manual audiobooks, and where can I find them? Audiobooks: Audio recordings of books,

- perfect for listening while commuting or multitasking. Platforms: Audible, LibriVox, and Google Play Books offer a wide selection of audiobooks.
8. How do I support authors or the book industry? Buy Books: Purchase books from authors or independent bookstores. Reviews: Leave reviews on platforms like Goodreads or Amazon. Promotion: Share your favorite books on social media or recommend them to friends.
 9. Are there book clubs or reading communities I can join? Local Clubs: Check for local book clubs in libraries or community centers. Online Communities: Platforms like Goodreads have virtual book clubs and discussion groups.
 10. Can I read Savage Fox Owners Manual books for free? Public Domain Books: Many classic books are available for free as they're in the public domain. Free E-books: Some websites offer free e-books legally, like Project Gutenberg or Open Library.

Find Savage Fox Owners Manual :

relion prime instruction manual

[renault kangoo manual repair](#)

renault sandero gearbox overhaul

[renault laguna service manual pl](#)

remember laura friendship is a matter of the heart

[renault manual kangoo](#)

[renaissance place answers for harry potter](#)

[renault mk1 laguna service manual](#)

[remington firearms owners manual](#)

[remote control repair kit](#)

renault megane scenic expression car manual

remington 660 owners manual

[reliance automax 770 90 10 manual](#)

renault dci 420 30

renault espace 1997 factory service repair manual

Savage Fox Owners Manual :

[economics paper 1 tz1 hl markscheme nottingham studocu](#) - Apr 27 2023

web economics paper 1 tz1 hl economics paper 1 tz1 hl markscheme exam 17 june 2017 questions exam may 2015 questions manual de prácticas de electroneumática

[economics hl paper 1 r ibo reddit](#) - Mar 15 2022

web didn t find it too bad tz2 i didn t manage to finish off the paper completely and hurried through part b of question 3 i think but otherwise what i answered seemed correct

international baccalaureate organization 2021 edukamer - Jun 29 2023

web 1 hour 30 minutes economics higher level paper 1 instructions to candidates y do not turn over this examination paper until instructed to do so y you are not permitted access to

[economics paper 1 essays hl and sl studycollab](#) - May 17 2022

web economics paper 1 essays hl and sl 55 00 5 years worth of ib economics sl and hl past paper question responses for paper 1 written by grade 7 students these essays

[economics201605 paper 1 tz1 hl markscheme pdf](#) - Sep 20 2022

web economics201605 paper 1 tz1 hl markscheme free download as pdf file pdf text file txt or read online for free

[economics hl paper 1 tz1 webster mei](#) - Jan 13 2022

web economics hl paper 1 tz1 5 5 packages include teaching learning resources and whiteboard etextbooks analysis approaches sl hl isbn 9781510461925

[economics paper 1 hl markscheme studocu](#) - Apr 15 2022

web relevant economic terms are used appropriately throughout the response where appropriate relevant diagram s are included and fully explained the response

economics higher level paper 1 xtremepapers - Feb 23 2023

web a explain the economic factors which may encourage the formation of a monopoly 10 marks b evaluate the view that natural monopoly is a more desirable market structure

economics paper 1 tz1 sl pdf political economy scribd - Jun 17 2022

web economics paper 1 tz1 sl read online for free

economics higher level paper 1 instructions to candidates - Nov 22 2022

web m16 3 econo hp1 eng tz1 xx economics higher level paper 1 monday 2 may 2016 afternoon 1 hour 30 minutes

[may 2021 economics higher level paper 1 tutorhao](#) - Mar 27 2023

web definition of price floor diagram showing the imposition of a price floor leading to higher prices and higher producer

revenues explanation that governments impose price floors in
[economics paper 1 tz1 hl m15 3 econo hp1 eng tz1 xx](#) - May 29 2023

web summary lecture factor markets 1 entire notes for the factor markets 1 lecture for the microeconomics for business b1
course n11115 industrial economics 100 3 8

economics paper 1 tz1 sl markscheme pdf demand - Aug 20 2022

web economics paper 1 tz1 sl markscheme free download as pdf file pdf text file txt or read online for free
[markscheme m13 3 econo hp1 eng tz1 xx m pdf](#) - Dec 24 2022

web economics higher level paper 1 17 pages 2 m13 3 econo hp1 eng tz1 xx m this markscheme is confidential and for the
exclusive use of examiners in this

[economics hl paper m11 3 econo hp1 eng tz1 xx](#) - Jul 19 2022

web m11 3 econo hp1 eng tz1 xx economics higher level paper 1 monday 16 may 2011 afternoon instructions to candidates
do not turn over this examination

[economics hl paper 1 tz1 blogs post gazette com](#) - Dec 12 2021

web read free economics hl paper 1 tz1 nov 24 2017 1 beitrug von stephanie pauly am november 2017 veröffentlicht eine
neue studie des dipf aktuell sowie der

[may 2019 economics higher level paper 1 papacambridge](#) - Sep 01 2023

web a explain the relationship between the law of diminishing returns and a firm s short run cost curves 10 answers may
include definitions of the law of diminishing returns short run

[economics hl paper 1 tz1 2023 fromthedeckchair com](#) - Feb 11 2022

web 1 economics hl paper 1 tz1 psychology may 25 2023 written by an experienced teacher and senior examiner with an in
depth understanding of teaching and assessments for the

economics paper 1 tz1 hl studylib net - Jul 31 2023

web 2 a explain why governments impose price floors in the market for agricultural products 10 b evaluate the effectiveness
of government regulations in achieving a reduction in

edunonia com - Oct 22 2022

web created date 5 3 2022 4 23 39 pm title untitled

economics paper 1 tz1 hl markscheme studocu - Oct 02 2023

web economics paper 1 tz1 hl markscheme economics hl 100 3 35 econ notes economics hl 100 1 30 aurick s ee in economics
economics hl 100 1

[higher level paper 1 xtremepapers](#) - Jan 25 2023

web countries to engage in economic integration through the formation of trading blocs using suitable examples explain the different types of trading bloc that may be formed 10

biology chapter 13 study guide flashcards quizlet - Jul 26 2022

web biology study workbook a 1st edition kenneth r miller levine 2 875 solutions sets with similar terms biology dna 43 terms warpedsunflower verified answer biology before a long race runners often carbo load this means that they eat substantial quantities of carbohydrates how might this help their performance

biology chapter 13 study guide flashcards quizlet - Nov 29 2022

web terms in this set 47 differences between rna and dna rna has ribose while dna has deoxyribose rna is single stranded while dna is double stranded rna has uracil while dna has thymine rna is in cytoplasm while dna is in the nucleus types of rna mrna messenger trna transfer

biology chapter 13 worksheet flashcards quizlet - May 24 2022

web mitosis 46 meiosis 23 role in an animal body mitosis enables multicellular adult to arise from zygote meiosis produces gametes introduces genetic variability study with quizlet and memorize flashcards containing terms like organisms that reproduce sexually inherit a set of chromosomes from each parent

biology web cd activity 13e answers key ams istanbul edu - Apr 03 2023

web biology web cd activity 13e answers key downloaded from ams istanbul edu tr by guest dayton melendez knowing the give and take of central oregon s outdoors biology web cd activity 13e sufficient extracurricular activities quality many good bookstores and on the web e g amazon com many students use examcrackers and they

biology web cd activity 13e answers key pdf webster mei - Aug 07 2023

web you could buy lead biology web cd activity 13e answers key or get it as soon as feasible you could quickly download this biology web cd activity 13e answers key after getting deal so subsequently

biology web cd activity 13e answers key 2023 ftp vape mexico - Jun 24 2022

web 2 biology web cd activity 13e answers key 2022 08 31 biology web cd activity 13e answers key downloaded from ftp vape mexico com by guest davila bright campbell biology walter de gruyter gmbh co kg note you are purchasing a standalone product masteringbiology tm does not come packaged with this content if you would

biology web cd activity 13e answers key download only - Oct 29 2022

web biology web cd activity 13e answers key adopting the track of term an psychological symphony within biology web cd activity 13e answers key in a global taken by monitors and the ceaseless chatter of quick conversation the melodic elegance and mental symphony developed by the written term frequently disappear in to the back ground

biology web cd activity 13e answers key full pdf search upqode - Aug 27 2022

web 4 biology web cd activity 13e answers key 2023 10 18 department of biochemistry and structural biology center for molecular protein science a topical gel formulation with preserved tcp 25 functions therefore tcp 25 activity in formulation a dual action peptide containing hydrogel targets wound infection and inflammationand

[biology web cd activity 13e answers key pdf](#) - Sep 27 2022

web biology web cd activity 13e answers key but stop in the works in harmful downloads rather than enjoying a good ebook with a cup of coffee in the afternoon instead they juggled subsequently some harmful virus inside their computer

biology web cd activity 13e answers key gny salvationarmy org - Sep 08 2023

web oct 21 2023 biology web cd activity 13e answers key this is likewise one of the factors by obtaining the soft documents of this biology web cd activity 13e answers key by online you might not require more epoch to spend to go to the book opening as competently as search for them in some cases you likewise realize not discover the

[biology web cd activity 13e answers key full pdf](#) - Oct 09 2023

web biology web cd activity 13e answers key is available in our digital library an online right of entry to it is set as public consequently you can download it instantly our digital library saves in multipart countries allowing you to acquire the most less latency epoch to download any of

biology web cd activity 13e answers key copy webster mei - Mar 02 2023

web biology web cd activity 13e answers key 1 biology web cd activity 13e answers key right here we have countless book biology web cd activity 13e answers key and collections to check out we additionally meet the expense of variant types and then type of the books to browse the gratifying book fiction history novel scientific research as

biology web cd activity 13e answers key 2022 - Jul 06 2023

web biology web cd activity 13e answers key 1 omb no biology web cd activity 13e answers key csd unit 2 lesson 13 project personal web page system of a down toxicity official hd video cs discoveries unit 3 lesson 13 sprite movement 23 24 code org computer science discoveries

[biology web cd activity 13e answers key 2022 archive imba](#) - May 04 2023

web biology web cd activity 13e answers key downloaded from archive imba com by guest alex marlee atmospheric carbon injection linked to end triassic mass extinction biology web cd activity 13esufficient extracurricular activities quality many good bookstores and on the web e g amazon com

biology web cd activity 13e answers key pdf - Jun 05 2023

web may 27 2023 this online broadcast biology web cd activity 13e answers key can be one of the options to accompany you with having other time it will not waste your time agree to me the e book will completely look you additional business to read *biology web cd activity 13e answers key gny salvationarmy org* - Feb 18 2022

web biology web cd activity 13e answers key if you ally infatuation such a referred biology web cd activity 13e answers key book that will have enough money you worth get the very best seller from us currently from several preferred authors if you desire to witty books lots of novels tale jokes and more fictions collections are also launched

biology web cd activity 13e answers key gny salvationarmy org - Dec 31 2022

web it is your totally own grow old to perform reviewing habit in the course of guides you could enjoy now is biology web cd activity 13e answers key below human biology james trefil 2005 backpacker 2001 03

biology web cd activity 13e answers key gny salvationarmy org - Mar 22 2022

web biology web cd activity 13e answers key right here we have countless books biology web cd activity 13e answers key and collections to check out we additionally come up with the money for variant types and with type of the books to browse the conventional book fiction history novel scientific research as with ease as various new

bio213 lab report 1 bio213 enzymes cyanide and electron - Apr 22 2022

web aug 27 2013 physio ex exercise 1 activity 1 general physiology lab notes bio lab 1 lab report bio lab 2 lab report physiology lab final study guide exam 2 study guide related documents physio ex exercise 1 activity 1 bio213 lab 12 bio213 lab 11 bio213 lab8 bio213 lab3 bio213 lab2 preview text

biology web cd activity 13e answers key pdf store spiralny - Feb 01 2023

web biology and medicine as well as model organisms that can help us understand the biological activity and associated toxicity of nanoparticles and devise strategies to minimize toxicity and enhance therapies

postmodern postwar and after rethinking american literature - Jul 02 2022

web the final section looks forward and explores the question of what comes after the postwar postmodern taken together these essays from leading and emerging scholars on the state of twenty first century literary studies provide a number of frameworks for approaching contemporary literature as influenced by yet distinct from postmodernism

postmodern postwar and after rethinking american literature - Jan 08 2023

web postmodern postwar and after rethinking american literature the iowa series in contemporary literature and culture amazon com tr kitap

postmodern postwar and after university of iowa press - Mar 10 2023

web postmodern postwar and after aims to be a field defining book a sourcebook for the new and emerging critical terrain that explores the postmodern postwar period and what comes after

postmodern postwar and after rethinking american literature - Aug 15 2023

web in the essay wallace posits a shift away from the postmodern irony of authors such as don delillo mark leyner and thomas pynchon and toward a literature of sincerity that would be pioneered by a younger generation of writers raised with

television ¹ and indeed in contemporary literary culture one can locate a shift away from ironic watchi

postmodern postwar and after rethinking american literature - Apr 11 2023

web mar 1 2018 joseph conte postmodern postwar and after rethinking american literature ed by jason gladstone andrew hoberek and daniel worden twentieth century literature 1 march 2018 64 1 120 127 doi doi org 10 1215 0041462x 4387773 download citation file zotero reference manager easybib bookends mendeley

pdf postmodern postwar and after rethinking american - Jun 13 2023

web mar 1 2018 pdf on mar 1 2018 joseph conte published postmodern postwar and after rethinking american literature edited by jason gladstone andrew hoberek and daniel worden find read and cite all

postmodern postwar and after rethinking american literature - May 12 2023

web within the past ten years the field of contemporary american literary studies has changed significantly following the turn of the twenty first century and mou

postmodern postwar and after rethinking american literature new - Dec 27 2021

web postwar postmodern and after is a smart timely and impressively comprehensive collection of essays anyone interested in becoming acquainted with current trends and debates in the field of contemporary literature would do well to read this book michael lemahieu author fictions of fact and value the erasure of logical positivism in

postmodern postwar and after rethinking american - Jan 28 2022

web jul 1 2016 postmodern postwar and after rethinking american literature 258 by jason gladstone editor andrew hoberek editor daniel worden editor jason gladstone

postmodern postwar and after rethinking american literature - Sep 04 2022

web jan 1 2016 postmodern postwar and after aims to be a field defining book a sourcebook for the new and emerging critical terrain that explores the postmodern postwar period and what comes after

postmodern postwar and after rethinking american literature - Jun 01 2022

web select search scope currently catalog all catalog articles website more in one search catalog books media more in the stanford libraries collections articles journal articles other e resources

postmodern postwar and after rethinking american literature - Feb 09 2023

web postmodern postwar and after aims to be a field defining book a sourcebook for the new and emerging critical terrain that explores the postmodern postwar period and what comes after the first section of essays returns to the category of the post modern and argues for the usefulness of key concepts and themes from postmodernism to the study of

postmodern postwar and after rethinking american literature - Nov 06 2022

web postmodern postwar and after rethinking american literature jason gladstone andrew hoberek daniel worden university

of iowa press jul 1 2016 literary criticism 258 pages 1 review within

postmodern postwar and after rethinking american literature - Dec 07 2022

web jul 1 2016 postmodern postwar and after rethinking american literature new american canon paperback july 1 2016 by jason gladstone editor andrew hoberek editor daniel worden editor 5 0 1 rating part of new american canon 27 books see all formats and editions within the past ten years the field of contemporary american

postmodern postwar and after rethinking american literature - Aug 03 2022

web postmodern postwar and after rethinking american literature ebook written by jason gladstone andrew hoberek daniel worden read this book using google play books app on your pc android ios devices download for offline reading highlight bookmark or take notes while you read postmodern postwar and after rethinking

postmodern postwar and after rethinking american literature - Mar 30 2022

web abebooks com postmodern postwar and after rethinking american literature new american canon 9781609384272 and a great selection of similar new used and collectible books available now at great prices postmodern postwar and after rethinking american literature new american canon 9781609384272 abebooks

joseph conte researchgate - Apr 30 2022

web joseph conte postmodern postwar and after rethinking american literature edited by jason gladstone andrew hoberek and daniel worden iowa city university of iowa press 2016 258 pages

postmodern postwar and after rethinking american literature - Oct 05 2022

web within the past ten years the field of contemporary american literary studies has changed significantly following the turn of the twen postmodern postwar and after rethinking american literature 9781609384272 jason gladstone andrew hoberek and daniel worden bibliovault

project muse postmodern postwar and after - Jul 14 2023

web postmodern postwar and after rethinking american literature book jason gladstone andrew hoberek and daniel worden 2016 published by university of iowa press series new american canon

postmodern postwar and after rethinking american literature - Feb 26 2022

web jul 1 2016 buy postmodern postwar and after rethinking american literature the iowa series in contemporary literature and culture by gladstone jason hoberek andrew worden daniel isbn 9781609384272 from amazon s book store everyday low prices and free delivery on eligible orders