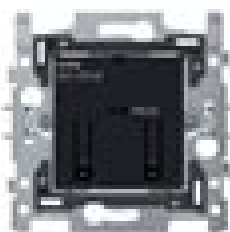


551-7212

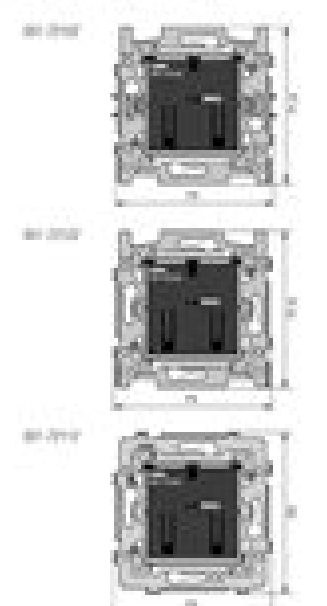


4  
switches

- 124 Connected phase voltage, 2 x 230 V
- 125 Maximum power handling (continuous), 2 x 100 A
- 126 Maximum phase current, 2 x 15 A
- 127 Approximate loadable current, 2 x 10 A
- 128 Rated load current, 2 x 10 A
- 129 Short-circuit current, 2 x 50 A
- 130 Rated surge current, 2 x 15 A
- 131 Approximate voltage, 2 x 10 V
- 132 Frequency voltage, 2 x 50 Hz
- 133 Short-circuit power, 2 x 10 A

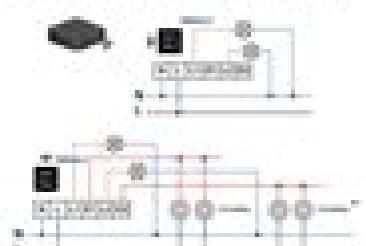
**Dimensions**

Height: 55 mm / 2.17 in. | Width: 72 mm / 2.83 in. | Depth: 45 mm / 1.77 in.



**Wiring**

Accessories: 551-7212-10 (switch), 551-7212-11 (switch), 551-7212-12 (switch), 551-7212-13 (switch), 551-7212-14 (switch), 551-7212-15 (switch)

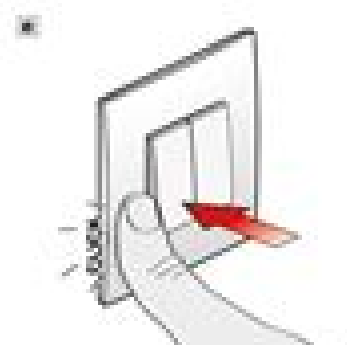
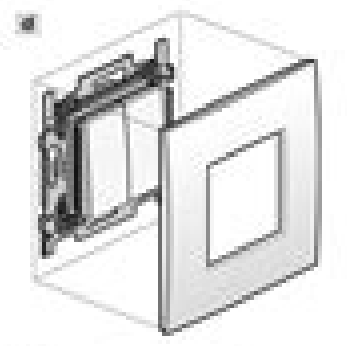


**⚠️** This product must be connected with a Residual Current Breaker (RCD) of max. 30 mA for electrical safety.

⚠️ Electrical installation personnel must be the ones to connect all wires to the correct terminals after the electrical installation of the unit or a programming assistant. It is not possible to configure the terminal of these components with a screwdriver. The main reason for it is to avoid damage to the terminals of the components.

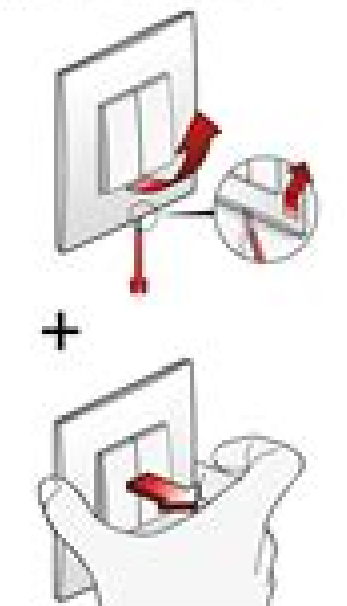
**Installation**

Models: 551-7212-10 (switch), 551-7212-11 (switch), 551-7212-12 (switch), 551-7212-13 (switch), 551-7212-14 (switch), 551-7212-15 (switch)



**Disassembling**

Accessories: 551-7212-10 (switch), 551-7212-11 (switch), 551-7212-12 (switch), 551-7212-13 (switch), 551-7212-14 (switch), 551-7212-15 (switch)



**Settings**

Models: 551-7212-10 (switch), 551-7212-11 (switch), 551-7212-12 (switch), 551-7212-13 (switch), 551-7212-14 (switch), 551-7212-15 (switch)

- 134 It is an installation without a wireless control. The switch will control the load using the advanced options (remote control). If you use a wireless control, you will see the NIKO Home Control programming software.
- 135 It is an installation with a wireless control. You can use the NIKO Home Control programming software.
- 136 It is an installation with a wireless control. The switch will control the load using the advanced options (remote control). If you use a wireless control, you will see the NIKO Home Control programming software.
- 137 It is an installation with a wireless control. The switch will control the load using the advanced options (remote control). If you use a wireless control, you will see the NIKO Home Control programming software.
- 138 It is an installation with a wireless control. The switch will control the load using the advanced options (remote control). If you use a wireless control, you will see the NIKO Home Control programming software.
- 139 It is an installation with a wireless control. The switch will control the load using the advanced options (remote control). If you use a wireless control, you will see the NIKO Home Control programming software.
- 140 It is an installation with a wireless control. The switch will control the load using the advanced options (remote control). If you use a wireless control, you will see the NIKO Home Control programming software.
- 141 It is an installation with a wireless control. The switch will control the load using the advanced options (remote control). If you use a wireless control, you will see the NIKO Home Control programming software.
- 142 It is an installation with a wireless control. The switch will control the load using the advanced options (remote control). If you use a wireless control, you will see the NIKO Home Control programming software.
- 143 It is an installation with a wireless control. The switch will control the load using the advanced options (remote control). If you use a wireless control, you will see the NIKO Home Control programming software.
- 144 It is an installation with a wireless control. The switch will control the load using the advanced options (remote control). If you use a wireless control, you will see the NIKO Home Control programming software.
- 145 It is an installation with a wireless control. The switch will control the load using the advanced options (remote control). If you use a wireless control, you will see the NIKO Home Control programming software.
- 146 It is an installation with a wireless control. The switch will control the load using the advanced options (remote control). If you use a wireless control, you will see the NIKO Home Control programming software.
- 147 It is an installation with a wireless control. The switch will control the load using the advanced options (remote control). If you use a wireless control, you will see the NIKO Home Control programming software.
- 148 It is an installation with a wireless control. The switch will control the load using the advanced options (remote control). If you use a wireless control, you will see the NIKO Home Control programming software.
- 149 It is an installation with a wireless control. The switch will control the load using the advanced options (remote control). If you use a wireless control, you will see the NIKO Home Control programming software.
- 150 It is an installation with a wireless control. The switch will control the load using the advanced options (remote control). If you use a wireless control, you will see the NIKO Home Control programming software.

**Download the NIKO Home Control programming software**

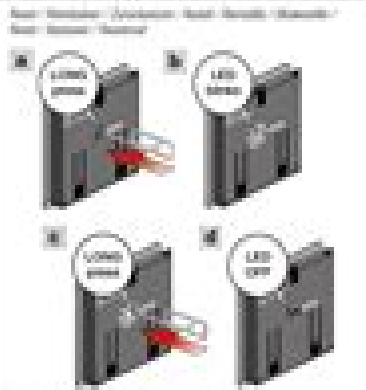
Control your switch with the NIKO Home Control II app

**Control**

Models: 551-7212-10 (switch), 551-7212-11 (switch), 551-7212-12 (switch), 551-7212-13 (switch), 551-7212-14 (switch), 551-7212-15 (switch)



**Power**



**Specifications**

Part number	551-7212
Power supply	230 Vac
Max. load current	100 A
Max. load per channel	15 A
Max. load both channels	15 A
Max. load (continuous) and voltage range (power) 230 V	100 W
Max. load LED lamps (W)	100 W
Maximum load (continuous) range (max. 400)	100 W
Max. load (surge) voltage range	100 W
Mounting	standard
Mounting method	back mounting
Flush-mounting / face specifications	Depth x max. 45 mm Clearance / gap x 40 mm Max. diameter hole x 60 mm
Mounting height	110 - 120 mm
Weight	50 g
Ambient temperature	0 - 40 °C
Dimensions (depth) 551-7212-10 (switch)	72 x 72 x 45 mm
Dimensions (depth) 551-7212-11 (switch)	72 x 72 x 45 mm
Dimensions (depth) 551-7212-12 (switch)	72 x 72 x 45 mm
Dimensions (depth) 551-7212-13 (switch)	72 x 72 x 45 mm
Dimensions (depth) 551-7212-14 (switch)	72 x 72 x 45 mm
Dimensions (depth) 551-7212-15 (switch)	72 x 72 x 45 mm
Maximum range (from switch to load) (max. 100 m)	100 m
Operating frequency	400 kHz
Maximum frequency power	0.5 W
Max. capacity	2 x 1.5 kW
Marking	CE

# Niko Television Manual

**Brian Woolland**



## **Niko Television Manual:**

The Politics of Serial Television Fiction Sebastian Naumann, 2025-02-08 Fictional TV politics played a pivotal role in the popular imaginaries of the 2010s across cultures Examining this curious phenomenon Sebastian Naumann provides a wide ranging analysis of the rapidly evolving landscape of contemporary polit series Proposing a novel structural model of serial television he offers an innovative methodological framework for comparative textual analysis that integrates sociocultural economic sociotechnical narratological and aesthetic perspectives This study furthermore explores how the changing affordances of nonlinear television impact serial storytelling and identifies key narrative trends and recurring themes in contemporary TV polit fiction

**The Art of Urban Survival, a Family Safety and Self Defense Manual** Stefan Verstappen, 2010 The complete guide to survival in the concrete jungle The modern urban environment is rife with dangers Crime violence natural disasters wars and terrorism are real life possibilities for which few people are prepared The Art of Urban Survival offers readers simple safe and practical advice on how to prepare for and react to dozens of life threatening situations The author draws from psychology sociology and anthropology to provide a deeper understanding of the laws of the urban jungle In addition elements of military strategy eastern martial arts and wilderness survival techniques are included to provide information on the full spectrum of urban survival skills

**Dun-Camp's Tour Manual ...** ,1929 [Hi Fi/stereo Review](#) ,1987 [Mergent International Manual](#) ,2003 *Arctic Bibliography* Arctic Institute of North America, 1953

**Mac Life** ,2007-03 MacLife is the ultimate magazine about all things Apple It s authoritative ahead of the curve and endlessly entertaining MacLife provides unique content that helps readers use their Macs iPhones iPods and their related hardware and software in every facet of their personal and professional lives

**Moody's Bank and Finance Manual** ,1990

**Catalog of Copyright Entries. Third Series** Library of Congress. Copyright Office, 1968 Includes Part 1 Number 1 Books and Pamphlets Including Serials and Contributions to Periodicals January June [Japan Company Handbook](#) ,2003

*Storytelling Across Worlds* Tom Dowd, 2015-01-30 Don t restrict your creative property to one media channel Make the essential leap to transmedia From film to television to games and beyond *Storytelling Across Worlds* gives you the tools to weave a narrative universe across multiple platforms and meet the insatiable demand of today s audience for its favorite creative property This the first primer in the field for both producers and writers teaches you how to Employ film television games novels comics and the web to build rich and immersive transmedia narratives Create writing and production bibles for transmedia property Monetize your stories across separate media channels Manage transmedia brands marketing and rights Work effectively with writers and producers in different areas of production Engage audiences with transmedia storytelling Up to date examples of current transmedia and cross media properties accompany each chapter and highlight this hot but sure to be enduring topic in modern media

*National Library of Medicine Audiovisuals Catalog* National Library of Medicine (U.S.), 1991

**Audio** ,1987-07

**This Flesh Is Mine** Brian Woolland, 2014-05-17 She shares my tent

she shares my bed Her flesh is mine Achilles the greatest of the Achaean warriors refuses to fight angered that King Agamemnon has stolen his captive Trojan slave girl Briseis Drawn from The Iliad and produced in collaboration with Ashtar Theatre from Palestine Brian Woolland's taut and poetic new play for Border Crossings brings together Homer's Troy and the Middle East of today worlds shaken by cycles of violence and revenge by ambition and self interest masquerading as idealism worlds struggling towards any possibility of reconciliation

**Young Children's Language in Context** Sheila Degotardi, Shelley Stagg Peterson, Jiangbo Hu, 2023-06-06 This book explores how young children's language development is intricately connected to the context in which it takes place The term context not only specifies a geographical location but also encompasses notions of culture community and activity Context also refers to discourse features and functions and to the relationships between the speakers Every context thus embodies specific practices intentions and values which privilege particular words phrases meanings and communication conventions Each chapter highlights the dynamic fluid and multifaceted interplays between language and context to illustrate how context in every sense is inextricably intertwined with young children's language and literacy learning opportunities The chapters interrogate the topic of Young Children's Language in Context by collectively exploring the multiple ways that context broadly and variously conceptualised intersects with language and literacy experiences Authors examine how contexts shape language and literacy learning opportunities how children's language shapes their social interactive and relationship contexts and how their language and literacy experiences are themselves contexts which create socially and culturally endorsed ways to represent ideas intentions and expectations This book will be of interest to researchers and advanced students of early childhood education and language development It was originally published as a special issue in the International Journal of Early Years Education

Congressional Record United States. Congress, 1961 **Social and Cultural Anthropology for the 21st Century** Marzia Balzani, Niko Besnier, 2021-11-29 Social and Cultural Anthropology for the 21st Century Connected Worlds is a lively accessible and wide ranging introduction to socio cultural anthropology for undergraduate students It draws on a wealth of ethnographic examples to showcase how anthropological fieldwork and analysis can help us understand the contemporary world in all its diversity and complexity The book is addressed to a twenty first century readership of students who are encountering social and cultural anthropology for the first time It provides an overview of the key debates and methods that have historically defined the discipline and of the approaches and questions that shape it today In addition to classic research areas such as kinship exchange and religion topics that are pressing concerns for our times are covered such as climate change economic crisis social media refugees sexuality and race Foregrounding ethnographic stories from all over the world to illustrate global connections and their effects on local lives the book combines a focus on history with urgent present day social issues It will equip students with the analytical tools that they need to negotiate a world characterized by unprecedented cross cultural contact ever changing communicative technologies and new forms of uncertainty The book is

an essential resource for introductory courses in social and cultural anthropology and as a refresher for more advanced students

*Ebony*, 2000-07 EBONY is the flagship magazine of Johnson Publishing Founded in 1945 by John H Johnson it still maintains the highest global circulation of any African American focused magazine

*International Handbook of Universities*, 2009

*Screen Society* Ellis Cashmore, Jamie Cleland, Kevin Dixon, 2018-06-12 Screens have been with us since the eighteenth century though we became accustomed to staring at them only after the appearance of film and television in the twentieth century But there was nothing in film or TV that prepared us for the revolution wrought by the combination of screens and the internet Society has been transformed and this book asks how and with what consequences Screen Society's conclusions are based on an original research project conducted by scholars in the UK and Australia The researchers designed their own research platform and elicited the thoughts and opinions of nearly 2000 participants to draw together insights of today's society as seen by users of smartphones tablets and computers what the authors call Screenagers The book issues challenges to accepted wisdom on many of the so called problems associated with our persistent use of screen devices including screen addiction trolling gaming and gambling

## **Niko Television Manual** Book Review: Unveiling the Power of Words

In some sort of driven by information and connectivity, the ability of words has become more evident than ever. They have the capacity to inspire, provoke, and ignite change. Such is the essence of the book **Niko Television Manual**, a literary masterpiece that delves deep into the significance of words and their impact on our lives. Published by a renowned author, this captivating work takes readers on a transformative journey, unraveling the secrets and potential behind every word. In this review, we shall explore the book is key themes, examine its writing style, and analyze its overall impact on readers.

<https://www.hersolutiongelbuy.com/data/publication/default.aspx/steel%20and%20lace%20english%20edition.pdf>

### **Table of Contents Niko Television Manual**

1. Understanding the eBook Niko Television Manual
  - The Rise of Digital Reading Niko Television Manual
  - Advantages of eBooks Over Traditional Books
2. Identifying Niko Television Manual
  - Exploring Different Genres
  - Considering Fiction vs. Non-Fiction
  - Determining Your Reading Goals
3. Choosing the Right eBook Platform
  - Popular eBook Platforms
  - Features to Look for in an Niko Television Manual
  - User-Friendly Interface
4. Exploring eBook Recommendations from Niko Television Manual
  - Personalized Recommendations
  - Niko Television Manual User Reviews and Ratings
  - Niko Television Manual and Bestseller Lists
5. Accessing Niko Television Manual Free and Paid eBooks

- Niko Television Manual Public Domain eBooks
  - Niko Television Manual eBook Subscription Services
  - Niko Television Manual Budget-Friendly Options
6. Navigating Niko Television Manual eBook Formats
    - ePub, PDF, MOBI, and More
    - Niko Television Manual Compatibility with Devices
    - Niko Television Manual Enhanced eBook Features
  7. Enhancing Your Reading Experience
    - Adjustable Fonts and Text Sizes of Niko Television Manual
    - Highlighting and Note-Taking Niko Television Manual
    - Interactive Elements Niko Television Manual
  8. Staying Engaged with Niko Television Manual
    - Joining Online Reading Communities
    - Participating in Virtual Book Clubs
    - Following Authors and Publishers Niko Television Manual
  9. Balancing eBooks and Physical Books Niko Television Manual
    - Benefits of a Digital Library
    - Creating a Diverse Reading Collection Niko Television Manual
  10. Overcoming Reading Challenges
    - Dealing with Digital Eye Strain
    - Minimizing Distractions
    - Managing Screen Time
  11. Cultivating a Reading Routine Niko Television Manual
    - Setting Reading Goals Niko Television Manual
    - Carving Out Dedicated Reading Time
  12. Sourcing Reliable Information of Niko Television Manual
    - Fact-Checking eBook Content of Niko Television Manual
    - Distinguishing Credible Sources
  13. Promoting Lifelong Learning
    - Utilizing eBooks for Skill Development

- Exploring Educational eBooks
14. Embracing eBook Trends
- Integration of Multimedia Elements
  - Interactive and Gamified eBooks

### **Niko Television Manual Introduction**

Free PDF Books and Manuals for Download: Unlocking Knowledge at Your Fingertips In today's fast-paced digital age, obtaining valuable knowledge has become easier than ever. Thanks to the internet, a vast array of books and manuals are now available for free download in PDF format. Whether you are a student, professional, or simply an avid reader, this treasure trove of downloadable resources offers a wealth of information, conveniently accessible anytime, anywhere. The advent of online libraries and platforms dedicated to sharing knowledge has revolutionized the way we consume information. No longer confined to physical libraries or bookstores, readers can now access an extensive collection of digital books and manuals with just a few clicks. These resources, available in PDF, Microsoft Word, and PowerPoint formats, cater to a wide range of interests, including literature, technology, science, history, and much more. One notable platform where you can explore and download free Niko Television Manual PDF books and manuals is the internet's largest free library. Hosted online, this catalog compiles a vast assortment of documents, making it a veritable goldmine of knowledge. With its easy-to-use website interface and customizable PDF generator, this platform offers a user-friendly experience, allowing individuals to effortlessly navigate and access the information they seek. The availability of free PDF books and manuals on this platform demonstrates its commitment to democratizing education and empowering individuals with the tools needed to succeed in their chosen fields. It allows anyone, regardless of their background or financial limitations, to expand their horizons and gain insights from experts in various disciplines. One of the most significant advantages of downloading PDF books and manuals lies in their portability. Unlike physical copies, digital books can be stored and carried on a single device, such as a tablet or smartphone, saving valuable space and weight. This convenience makes it possible for readers to have their entire library at their fingertips, whether they are commuting, traveling, or simply enjoying a lazy afternoon at home. Additionally, digital files are easily searchable, enabling readers to locate specific information within seconds. With a few keystrokes, users can search for keywords, topics, or phrases, making research and finding relevant information a breeze. This efficiency saves time and effort, streamlining the learning process and allowing individuals to focus on extracting the information they need. Furthermore, the availability of free PDF books and manuals fosters a culture of continuous learning. By removing financial barriers, more people can access educational resources and pursue lifelong learning, contributing to personal growth and professional development. This democratization of knowledge promotes intellectual curiosity and empowers



individuals to become lifelong learners, promoting progress and innovation in various fields. It is worth noting that while accessing free Niko Television Manual PDF books and manuals is convenient and cost-effective, it is vital to respect copyright laws and intellectual property rights. Platforms offering free downloads often operate within legal boundaries, ensuring that the materials they provide are either in the public domain or authorized for distribution. By adhering to copyright laws, users can enjoy the benefits of free access to knowledge while supporting the authors and publishers who make these resources available. In conclusion, the availability of Niko Television Manual free PDF books and manuals for download has revolutionized the way we access and consume knowledge. With just a few clicks, individuals can explore a vast collection of resources across different disciplines, all free of charge. This accessibility empowers individuals to become lifelong learners, contributing to personal growth, professional development, and the advancement of society as a whole. So why not unlock a world of knowledge today? Start exploring the vast sea of free PDF books and manuals waiting to be discovered right at your fingertips.

### **FAQs About Niko Television Manual Books**

How do I know which eBook platform is the best for me? Finding the best eBook platform depends on your reading preferences and device compatibility. Research different platforms, read user reviews, and explore their features before making a choice. Are free eBooks of good quality? Yes, many reputable platforms offer high-quality free eBooks, including classics and public domain works. However, make sure to verify the source to ensure the eBook credibility. Can I read eBooks without an eReader? Absolutely! Most eBook platforms offer web-based readers or mobile apps that allow you to read eBooks on your computer, tablet, or smartphone. How do I avoid digital eye strain while reading eBooks? To prevent digital eye strain, take regular breaks, adjust the font size and background color, and ensure proper lighting while reading eBooks. What the advantage of interactive eBooks? Interactive eBooks incorporate multimedia elements, quizzes, and activities, enhancing the reader engagement and providing a more immersive learning experience. Niko Television Manual is one of the best book in our library for free trial. We provide copy of Niko Television Manual in digital format, so the resources that you find are reliable. There are also many Ebooks of related with Niko Television Manual. Where to download Niko Television Manual online for free? Are you looking for Niko Television Manual PDF? This is definitely going to save you time and cash in something you should think about.

**Find Niko Television Manual :**

[steel and lace english edition](#)

[\*step ahead o level english revise guide\*](#)

~~[steam error code 130](#)~~

[steam iron diagram](#)

[stewart calculus complete solutions](#)

**stewart calculus 2e solutions manual**

[\*staying abreast rehabilitation exercises for\*](#)

**statistics review for algebra 2**

~~[steck vaughn comprehension skill books student](#)~~

[\*statistics and probability mendenhall canadian edition\*](#)

**steel structures design solution manual aisc 13**

**steaming vegetables guide**

[\*statistical quality control solutions manual\*](#)

~~[stephen bible crafts](#)~~

[stick technique the essential guide for the modern drummer](#)

**Niko Television Manual :**

**improving outcomes for congestive heart failure patients** - Dec 28 2021

web nursing practice dnp project was based primarily on a quality improvement initiative that included the development of a 6 week care management program provided in an outpatient primary care practice with a moderate volume of patients diagnosed with congestive heart failure chf additionally the goals of the project were to improve the

**concept map heart failure concept map plan of care** - Jun 14 2023

web submit your concept map for review concept map worksheet include pathophysiology of disease process left sided heart failure results due to the failure of the pumping ability of the left ventricle and decreases cardiac output and blood is backs up into the left atrium and lungs which causing pulmonary congestion if

[how to create a concept map on heart failure youtube](#) - Jan 29 2022

web creating a concept map makes it easy for your brain to remember nursing information learn the 4 steps to easy a s in nursing with my free workshop nur

**congestive heart failure nursing statpearls ncbi bookshelf** - Jul 03 2022

web nov 7 2022 introduction heart failure is a common and complex clinical syndrome that results from any functional or structural heart disorder impairing ventricular filling or ejection of blood to the systemic circulation to meet the body's needs heart failure can be caused by several different diseases

**4100 concept map on heart failure studocu** - Mar 11 2023

web 1 and acknowledge patient's perception of threat and situation encourage expressions of emotions 2 for verbal and nonverbal signs of anxiety restlessness changes in vital signs and stay with patient intervene as needed 3 all questions factually provide consistent information and repeat if needed interventions at least 3

**265 concept map 2 notes congestive heart failure chf** - Jul 15 2023

web it is treatable however left untreated it may lead to death ignatavicius amp workman 2016 p etiology congestive heart failure is usually caused by hypertension myocardial infarction mi it may also be caused by structural heart changes or valvular deformity such as aortic or pulmonic valve stenosis ignatavicius amp workman 2016 p

**sample student prepared concept map on heart failure** - May 13 2023

web download scientific diagram sample student prepared concept map on heart failure from publication concept maps a tool to prepare for high fidelity simulation in nursing in this

**01 07 congestive heart failure concept map nursing com** - Aug 16 2023

web this course has concept map examples that you can use to make connections between risk factors medications patient education and nursing interventions advance your critical thinking skills as the nurse educators take you through all congestive heart failure and pulmonary edema concept map - Feb 10 2023

web congestive heart failure and pulmonary edema concept map free download as word doc doc docx pdf file pdf text file txt or read online for free scribd is the world's largest social reading and publishing site

**13 heart failure nursing care plans nurseslabs** - Oct 06 2022

web aug 12 2023 updated on august 12 2023 by matt vera bsn r n utilize this comprehensive nursing care plan and management guide to provide optimal care for patients with heart failure gain valuable insights on nursing assessment interventions goals and nursing diagnosis specifically tailored for heart failure in this guide

**heart failure nursing care management a study guide nurseslabs** - May 01 2022

web may 19 2022 what is heart failure heart failure also known as congestive heart failure is recognized as a clinical syndrome characterized by signs and symptoms of fluid overload or of inadequate tissue perfusion heart failure is the inability of the heart to pump sufficient blood to meet the needs of the tissues for oxygen and nutrients

**the ultimate concept map of congestive heart failure** - Sep 05 2022

web may 30 2023 the ultimate concept map of congestive heart failure everything you need to know updated on may 30 2023 if you or a loved one has been diagnosed with congestive heart failure it can be overwhelming to understand what it is how it affects your body and what treatment options are available

[sample concept map for congestive heart failure pdf](#) - Aug 04 2022

web sample concept map for congestive heart failure sample concept map for congestive heart failure 4 downloaded from cornelisfr vanlanschot be on 2019 02 10 by guest jean foret giddens 2019 02 02 get all the strategies and guidance you need successfully implement conceptual learning with mastering concept based teaching

[congestive heart failure mind map goconqr](#) - Feb 27 2022

web a concept map about congestive heart failure medicine cmap chf mind map by mohammed alshura updated more than 1 year ago more less created by mohammed alshura almost 7 years ago 867 0 0 resource summary congestive heart failure risk factors hypertension

**sample concept map for congestive heart failure** - Mar 31 2022

web we present you this proper as capably as easy artifice to get those all we give sample concept map for congestive heart failure and numerous ebook collections from fictions to scientific research in any way along with them is this sample concept map for congestive heart failure that can be your partner

**congestive heart failure concept map studocu** - Apr 12 2023

web medical diagnosis congestive heart failure chf pathology myocardial dysfunction results in a decreased cardiac output and perfusion to the kidneys this activates the bodies compensatory response increasing

**congestive heart failure 1 concept map scribd** - Dec 08 2022

web congestive heart failure 1 concept map free download as word doc doc pdf file pdf text file txt or read online for free scribd is the world s largest social reading and publishing site

[congestive heart failure mindmeister mind map](#) - Jun 02 2022

web 7 3 1 1 increase the force of myocardial contraction ve inotropic leading to decrease in heart size venous pressure and edema 2 slow heart rate ve chronotropic by vagal stimulation 7 4 therapeutic uses 7 4 1 congestive heart failure atrial arrhythmias atrial flutter atrial fibrillation supraventricular tachycardia 7 5

**congestive heart failure concept map docx course hero** - Nov 07 2022

web view congestive heart failure concept map docx from nsg 229 at gateway community and technical college nsg 229 concept map name risk factors smoking obesity age high blood pressure potential

[congestive heart failure chf nursing diagnosis and care plan](#) - Jan 09 2023

web congestion is one of the common features of heart failure thus the term congestive heart failure is still used by many

medical professionals signs and symptoms of heart failure dyspnea shortness of breath upon exertion or lying down jugular vein distention jvd fatigue and reduced ability to exercise

[traducciones pons el mejor de español a italiano en línea](#) - Jun 07 2022

web el diccionario en línea español italiano de pons es una obra de consulta en línea gratuita para todo el mundo consulta una palabra o una frase introduciendo algo en el campo para la búsqueda puedes elegir si quieres realizar

*diccionario mini espaÑol italiano italiano spagnolo* - Mar 16 2023

web diccionario mini espaÑol italiano italiano spagnolo larousse editorial 8 61 40 000 traducciones 30 000 palabras y expresiones todo el vocabulario b

*diccionario mini italiano spagnolo espaÑol italiano* - May 06 2022

web resumen del libro diccionario mini italiano spagnolo espaÑol italiano el diccionario más pequeño para dominar el italiano este diccionario resuelve las dudas más frecuentes léxica ortográfica y gramatical al hablar o escribir en italiano o al traducir del español al italiano

*diccionario mini español italiano italiano spagnolo* - Sep 22 2023

web diccionario mini español italiano italiano spagnolo autor a larousse editorial 40 000 traducciones 30 000 palabras y expresiones todo el vocabulario básico y las expresiones de uso corriente incluye una práctica guía de conversación transcripción fonética de ambas lenguas notas de carácter cultural ficha técnica

**dizionario e traduttore spagnolo italiano traduzione online gratis** - Apr 05 2022

web traduci gratis frasi e testi dallo spagnolo all italiano e viceversa con i migliori traduttori online inoltre con un solo invio puoi confrontare diverse traduzioni

**diccionario mini italiano spagnolo español italiano** - Oct 11 2022

web diccionario mini italiano spagnolo español italiano 8 50 p v p descripción ficha técnica el diccionario más pequeño para dominar el italiano este diccionario resuelve las cuestiones más frecuentes al hablar o escribir en italiano o al traducir desde el español al italiano dudas léxicas ortográficas o gramaticales

**diccionario español italiano traducción italiano reverso** - Jun 19 2023

web n uestro diccionario español italiano en línea contiene miles de palabras y expresiones con traducciones y ejemplos ofrece a la vez traducciones añadidas por los usuarios la riqueza y la estructura de nuestro diccionario le ayudan a elegir la palabra adecuada para comunicar en español o italiano

*wordreference com dictionaries* - Feb 03 2022

web diccionario italiano español español italiano diccionario collins compact plus italiano 2007 harpercollins publishers el diccionario del italiano actual todo el vocabulario necesario para comprender y expresar conceptos complejos

**traductor de google google translate** - May 18 2023

web traducción el servicio de google que se ofrece sin coste económico traduce al instante palabras frases y páginas web a más de 100 idiomas

**deepl translate il miglior traduttore al mondo** - Jul 08 2022

web milioni di persone traducono con deepl ogni giorno combinazioni più richieste con l italiano inglese italiano italiano spagnolo e tedesco italiano

**il dizionario italiano spagnolo glosbe** - Dec 13 2022

web glosbe dizionario italiano spagnolo italiano spagnolo glosbe è la casa di migliaia di dizionari forniamo non solo dizionario italiano spagnolo ma anche dizionari per ogni paio di lingue esistenti online e gratis traduzioni dal dizionario italiano spagnolo definizioni grammatica

**dizionario spagnolo italiano online gratis ricerca di** - Mar 04 2022

web dizionario spagnolo italiano dizionario online tratto da grande dizionario hoepli spagnolo con cd rom di tam laura spagnolo italiano italiano spagnolo editore hoepli acquista cerca la traduzione spagnolo italiano cambia lingua in

**diccionario mini español italiano italiano spagnolo librotea** - Apr 17 2023

web sinopsis 40 000 traducciones 30 000 palabras y expresiones todo el vocabulario básico y las expresiones de uso corriente incluye una práctica guía de conversación transcripción fonética de ambas lenguas notas de carácter cultural

**diccionario mini español italiano italiano spagnolo larousse** - Aug 21 2023

web diccionario mini español italiano italiano spagnolo larousse lengua italiana diccionarios generales tapa blanda 11 septiembre 2014 de larousse editorial autor 3 9 3 9 de 5 estrellas 20 valoraciones

**diccionario mini italiano spagnolo español italiano** - Jan 14 2023

web diccionario mini italiano spagnolo español italiano vox editorial 8 50 el diccionario más pequeño para dominar el italiano este diccionario resuelve

**amazon com diccionario mini español italiano italiano spagnolo** - Jul 20 2023

web diccionario mini español italiano italiano spagnolo spanish edition tapa blanda 11 septiembre 2014 edición en español de larousse editorial author 3 8 3 8 de 5 como diccionario está bien pero las tapas son de cartón no sé si durarán mucho y en algún sitio podrían haber avisado que todo el diccionario por dentro

**diccionario italiano español traducción español reverso** - Feb 15 2023

web n uestro diccionario italiano español en línea contiene miles de palabras y expresiones con traducciones y ejemplos ofrece a la vez traducciones añadidas por los usuarios la riqueza y la estructura de nuestro diccionario le ayudan a elegir la palabra adecuada para comunicar en italiano o español

**google traduttore** - Nov 12 2022

web traduction il servizio di google offerto senza costi traduce all istante parole frasi e pagine web dall italiano a più di 100 altre lingue e viceversa

**traduzioni pons le migliori per spagnolo italiano** - Sep 10 2022

web traduction gratuita spagnolo italiano nel dizionario online di pons il dizionario online spagnolo italiano pons è una risorsa online consultabile gratuitamente da tutti cerca una parola o una frase digitandola nel campo di ricerca

**diccionario mini español italiano italiano spagnolo iberlibro** - Aug 09 2022

web vox diccionario mini italiano italiano spagnolo español italiano de varios autores y una gran selección de libros arte y artículos de colección disponible en iberlibro com

*mozart 123 livres babelio* - Mar 26 2022

web découvrez sur babelio com livres et les auteurs sur le thème mozart mozart et la pluie un désordre de pétales rouges de christian bobin mozart sociologie d un génie de norbert elias le dernier des mozart de jacques tournier de léopold à constance wolfgang amadeus de maurice barthélemy mozart l itinéraire libertin de eve ruggieri

ma c moires par le librettiste de mozart alpaca awamaki - Sep 12 2023

web ma c moires par le librettiste de mozart downloaded from alpaca awamaki org by guest melissa jose george sand vignaud pamphletsannala uladh 1379 1541 ed by b maccarthygenie civilannales politiques civiles et littéraires du dix huitième siècle observations d un républicain a bruxelles de l imprimerie de l auteur 1790

**free ma c moires par le librettiste de mozart** - Feb 05 2023

web ma c moires par le librettiste de mozart russia and the low countries dec 29 2022 this bibliography contains everything that has been published in the west except from russia about the relations between the low countries belgium and the netherlands and russia in every western language p 4 of cover

*ma c moires par le librettiste de mozart pdf uniport edu* - Jan 04 2023

web apr 7 2023 merely said the ma c moires par le librettiste de mozart is universally compatible considering any devices to read l art musical alphonse leduc 1890 bibliothèque universelle et revue suisse 1882 perasma pierre mertens 2013 08 25t00 00 00 02 00 on dirait un nom de plume

**ma c moires par le librettiste de mozart full pdf old syndeohro** - Jul 10 2023

web ma c moires par le librettiste de mozart 1 ma c moires par le librettiste de mozart the royal dictionary abridged the charitable arbitrator dictionnaire universel historique critique et bibliographique premier me moire contre le mare chal soult duc de dalmatie ministre de la guerre repre sentant l etat

**mémoires par le librettiste de mozart by lorenzo da ponte** - May 28 2022

web may 19 2023 mémoires par le librettiste de mozart by lorenzo da ponte mémoires par le librettiste de mozart by lorenzo da ponte full text of annales historiques de la rvolution franaise le live marseille aller dans les plus grandes soires mmoires de la socit acadmique de l arrondissement de figaro journal non politique gallica fr mmoires

**leopold mozart wikipédia** - Dec 03 2022

web johann georg leopold mozart né le 14 novembre 1719 à augsbourg et mort le 28 mai 1787 à salzburg est un compositeur professeur de musique et violoniste allemand aujourd'hui surtout connu comme père et professeur de wolfgang amadeus mozart il était assez célèbre à son époque pour sa méthode de violon versuch einer

**free ma c moires par le librettiste de mozart** - Jun 09 2023

web ma c moires par le librettiste de mozart l opera de rameau apr 28 2021 smith college studies in modern languages jan 14 2020 operetta oct 23 2020 operetta developed in the second half of the 19th century from the french opéra comique and the more lighthearted german singspiel as the century progressed the serious concerns of

**mozart pte ltd 200305941d singapore company** - Feb 22 2022

web jun 26 2003 mozart pte ltd registration no unique entity number 200305941d issued by accounting and corporate regulatory authority mozart pte ltd the company is a private company limited by shares incorporated on 26 june 2003 thursday in singapore the address of the company s registered office is at the myp

**ma c moires par le librettiste de mozart margaret mcfadden** - Jul 30 2022

web download and install ma c moires par le librettiste de mozart therefore simple a debate on india in the english parliament charles forbes comte de montalembert 1858 la dame blanche françois adrien boieldieu 2013 08 cette uvre fait partie de la serie tredition classics la maison d edition tredition basee a hamburg a publie dans la

**ma c moires 1749 1838 par le librettiste de mozar** - May 08 2023

web crit le texte des trois opras les plus connus de mozart les noces de figaro don juan et cosi fan tutte il fut la fin du xviii le meilleur librettiste de vienne sa collaboration tait recherche par tous les compositeurs c est ainsi qu il crivit pour mozart salieri martin y soler et bien d autres encore protg par joseph ii

ma c moires par le librettiste de mozart pdf wrbb neu - Jun 28 2022

web install ma c moires par le librettiste de mozart for that reason simple ma c moires par le librettiste de mozart 2019 12 04 lauren grimes le grand dictionnaire hachette oxford vignaud pamphletsannala uladh 1379 1541 ed by b maccarthygenie civilannales politiques civiles et littéraires du dix huitième siècle observations d un

**ma c moires par le librettiste de mozart cyberlab sutd edu sg** - Mar 06 2023

web ma c moires par le librettiste de mozart proceedings of the geological society of london sep 22 2020 catalogue or alphabetical index jun 12 2022 a manual of classical bibliography oct 24 2020 yearbook international tribunal for the law of



the sea annuaire tribunal international du droit de la mer volume 20 2016 jul 21 2020

**mémoires par le librettiste de mozart by lorenzo da ponte** - Oct 01 2022

web 1887 part 1 arabella l opéra bastille ma critique le huffington post teseo thse opéra baroque le magazine de l opéra figaro journal non politique gallica la danse 2006 la bibliothèque théâtre histoire de la littérature hatienne ou l me noire teseo le magazine de l opéra baroque fr mémoires par le librettiste de mozart da nouveaux samedis 15e

**mémoires par le librettiste de mozart by lorenzo da ponte** - Aug 31 2022

web mémoires par le librettiste de mozart by lorenzo da ponte mémoires par le librettiste de mozart by lorenzo da ponte beaumarchais sa vie ses écrits et son temps viii le full text of annales historiques de la révolution française berlioz rakoczy jnak eredeti kizirata full text of bibliographie de la france 1887 part 1

ma c moires par le librettiste de mozart pdf uniport edu - Nov 02 2022

web ma c moires par le librettiste de mozart 1 6 downloaded from uniport edu ng on june 28 2023 by guest ma c moires par le librettiste de mozart as recognized adventure as skillfully as experience about lesson amusement as skillfully as contract can be gotten by just checking out a book ma c moires par le librettiste de mozart in addition to

free ma c moires 1749 1838 par le librettiste de mozart - Aug 11 2023

web ma c moires 1749 1838 par le librettiste de mozart l opéra à hamburg 1648 1728 mar 30 2021 mise en lumière du lien entre l essor de la cité hanséatique et l émergence du genre opératique entre le xviiie et le xviiiie siècles qui se manifeste par la production de 250 oeuvres lyriques écrites par des compositeurs tels que

*ma c moires par le librettiste de mozart uniport edu* - Apr 26 2022

web jul 11 2023 ma c moires par le librettiste de mozart 3 4 downloaded from uniport edu ng on july 11 2023 by guest polybiblion 1908 the early roman expansion into italy nicola terrenato 2019 05 02 argues that roman expansion in italy was accomplished more by means of negotiation among local elites than through military conquest

**ma c moires par le librettiste de mozart pdf** - Oct 13 2023

web vies de haydn de mozart et de métastase mar 23 2022 de branche en branche aug 04 2020 mémoires de lorenzo da ponte librettiste de mozart apr 04 2023 la gloire de lorenzo da ponte est d avoir conçu le texte des trois chefs d oeuvre de mozart les noces de figaro don juan così fan tutte il a réinventé avec génie pour l opéra

**ma c moires par le librettiste de mozart pdf** - Apr 07 2023

web ma c moires par le librettiste de mozart bulletin sep 18 2020 constantinople mar 05 2022 bulletin of books in the various departments of literature and science added to the public library of cincinnati during the year apr 25 2021 annales politiques civiles et littéraires du dix huitième siècle mar 25 2021