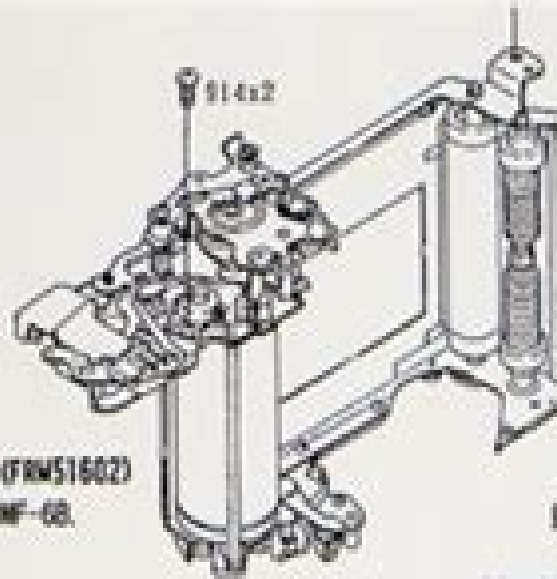
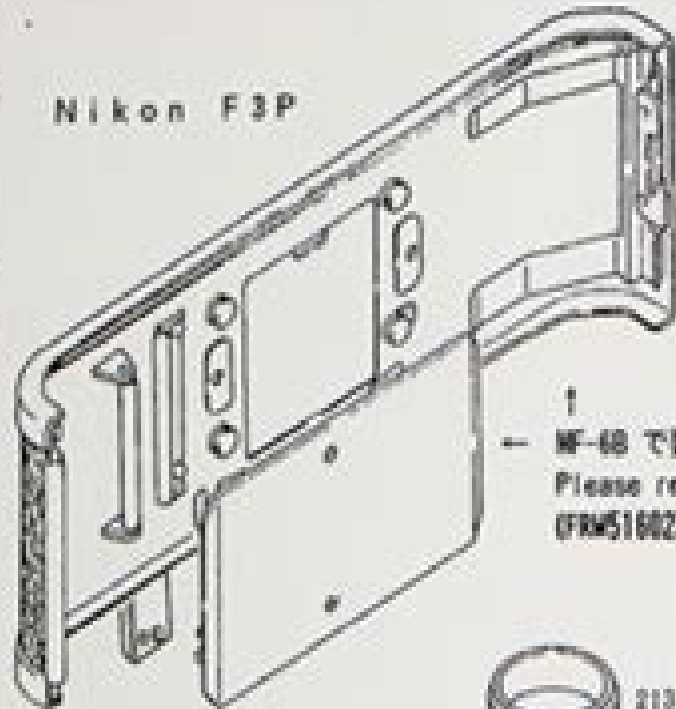


Nikon F3P

1



FA4-5281 (1)

MF-68 で要求方 (FRW51602)
Please request MF-68.
(FRW51602)



FA1-548

P3-1200S3

FA2-5381 (1)

2



K2-17020FRx2

FA1-5212 (5)



FA1-6501 (1)

A2-17025FAx2

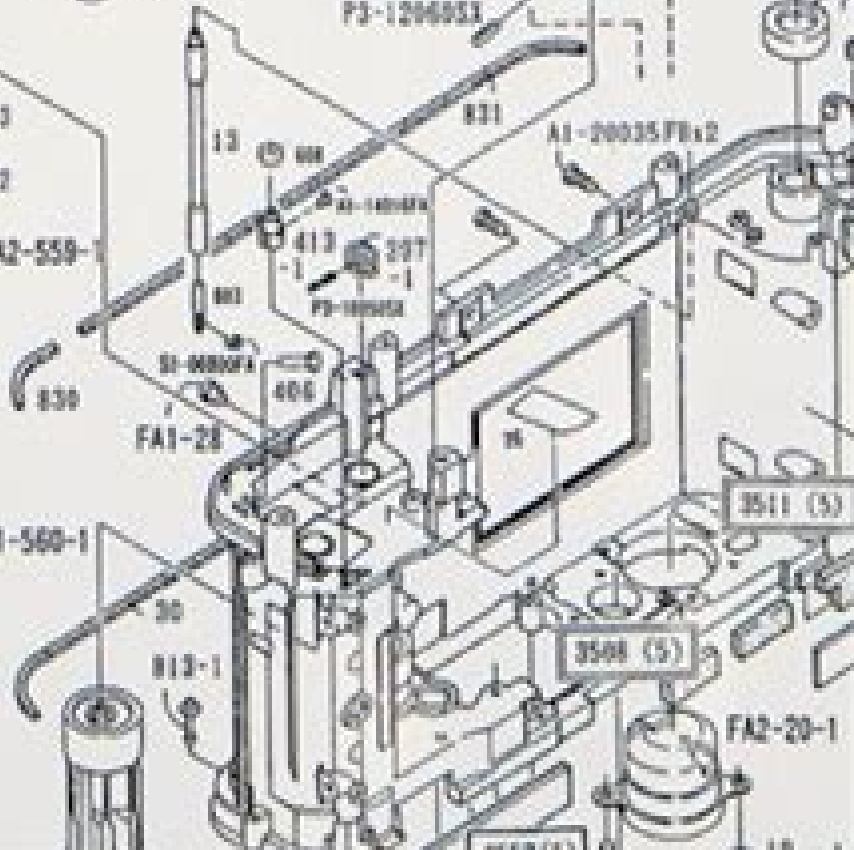


343

FA2-559

P3-10050S3

FA1-560-1



FA1-28

FA1-28

FA1-28

FA1-28

FA1-28

FA1-28

FA1-28

3511 (5)

3508 (5)

FA2-20-1

FA2-20-1

Nikon De 5 F3 P Parts Manual User Guide

S Ashworth



Nikon De 5 F3 P Parts Manual User Guide:

The New Nikon Compendium Simon Stafford, Rudi Hillebrand, Rudolf Hillebrand, Hans-Joachim Hauschild, 2004
Presenting the thoroughly revised fully illustrated edition of The Nikon Compendium updated by the technical editor of Nikon Owner magazine to include all the new Nikon cameras lenses and accessories This is what Nikon enthusiasts have eagerly awaited the most complete Nikon reference book ever At almost double the length of the original the guide describes virtually every Nikon camera ever produced right up to the wide variety of popular digital models It aids identification offers user friendly tips explains what system fits with which camera and discusses what limitations occur when equipment from one generation is married to items from another Professional and amateur photographers as well as enthusiasts collectors and retailers will want this on their bookshelves

Optical Spectra ,1971 *Popular Photography* ,1988-01 **Popular Photography** ,1988-01 Popular Photography ,1992-09 *Popular Photography* ,1992-02 *Popular Photography* ,1993-01 **Popular Photography** ,1992-11
Popular Photography ,1984-06 *Popular Photography* ,1992-02 **Popular Photography** ,1992-06 The British Journal of Photography ,2000 **Popular Photography** ,1983-11 Popular Photography ,1995-10 **Diver** , *Popular Photography* ,1992-07 *Liverpool and Manchester Photographic Journal* ,1991 *Popular Photography* ,1990-11

Yeah, reviewing a books **Nikon De 5 F3 P Parts Manual User Guide** could increase your close associates listings. This is just one of the solutions for you to be successful. As understood, achievement does not suggest that you have fantastic points.

Comprehending as without difficulty as concord even more than other will manage to pay for each success. next-door to, the message as with ease as perception of this Nikon De 5 F3 P Parts Manual User Guide can be taken as competently as picked to act.

https://www.hersolutiongelbuy.com/results/virtual-library/fetch.php/nsc_exam_papers_february_march_20.pdf

Table of Contents Nikon De 5 F3 P Parts Manual User Guide

1. Understanding the eBook Nikon De 5 F3 P Parts Manual User Guide
 - The Rise of Digital Reading Nikon De 5 F3 P Parts Manual User Guide
 - Advantages of eBooks Over Traditional Books
2. Identifying Nikon De 5 F3 P Parts Manual User Guide
 - Exploring Different Genres
 - Considering Fiction vs. Non-Fiction
 - Determining Your Reading Goals
3. Choosing the Right eBook Platform
 - Popular eBook Platforms
 - Features to Look for in an Nikon De 5 F3 P Parts Manual User Guide
 - User-Friendly Interface
4. Exploring eBook Recommendations from Nikon De 5 F3 P Parts Manual User Guide
 - Personalized Recommendations
 - Nikon De 5 F3 P Parts Manual User Guide User Reviews and Ratings
 - Nikon De 5 F3 P Parts Manual User Guide and Bestseller Lists
5. Accessing Nikon De 5 F3 P Parts Manual User Guide Free and Paid eBooks
 - Nikon De 5 F3 P Parts Manual User Guide Public Domain eBooks

- Nikon De 5 F3 P Parts Manual User Guide eBook Subscription Services
- Nikon De 5 F3 P Parts Manual User Guide Budget-Friendly Options
- 6. Navigating Nikon De 5 F3 P Parts Manual User Guide eBook Formats
 - ePub, PDF, MOBI, and More
 - Nikon De 5 F3 P Parts Manual User Guide Compatibility with Devices
 - Nikon De 5 F3 P Parts Manual User Guide Enhanced eBook Features
- 7. Enhancing Your Reading Experience
 - Adjustable Fonts and Text Sizes of Nikon De 5 F3 P Parts Manual User Guide
 - Highlighting and Note-Taking Nikon De 5 F3 P Parts Manual User Guide
 - Interactive Elements Nikon De 5 F3 P Parts Manual User Guide
- 8. Staying Engaged with Nikon De 5 F3 P Parts Manual User Guide
 - Joining Online Reading Communities
 - Participating in Virtual Book Clubs
 - Following Authors and Publishers Nikon De 5 F3 P Parts Manual User Guide
- 9. Balancing eBooks and Physical Books Nikon De 5 F3 P Parts Manual User Guide
 - Benefits of a Digital Library
 - Creating a Diverse Reading Collection Nikon De 5 F3 P Parts Manual User Guide
- 10. Overcoming Reading Challenges
 - Dealing with Digital Eye Strain
 - Minimizing Distractions
 - Managing Screen Time
- 11. Cultivating a Reading Routine Nikon De 5 F3 P Parts Manual User Guide
 - Setting Reading Goals Nikon De 5 F3 P Parts Manual User Guide
 - Carving Out Dedicated Reading Time
- 12. Sourcing Reliable Information of Nikon De 5 F3 P Parts Manual User Guide
 - Fact-Checking eBook Content of Nikon De 5 F3 P Parts Manual User Guide
 - Distinguishing Credible Sources
- 13. Promoting Lifelong Learning
 - Utilizing eBooks for Skill Development
 - Exploring Educational eBooks

14. Embracing eBook Trends

- Integration of Multimedia Elements
- Interactive and Gamified eBooks

Nikon De 5 F3 P Parts Manual User Guide Introduction

In today's digital age, the availability of Nikon De 5 F3 P Parts Manual User Guide books and manuals for download has revolutionized the way we access information. Gone are the days of physically flipping through pages and carrying heavy textbooks or manuals. With just a few clicks, we can now access a wealth of knowledge from the comfort of our own homes or on the go. This article will explore the advantages of Nikon De 5 F3 P Parts Manual User Guide books and manuals for download, along with some popular platforms that offer these resources. One of the significant advantages of Nikon De 5 F3 P Parts Manual User Guide books and manuals for download is the cost-saving aspect. Traditional books and manuals can be costly, especially if you need to purchase several of them for educational or professional purposes. By accessing Nikon De 5 F3 P Parts Manual User Guide versions, you eliminate the need to spend money on physical copies. This not only saves you money but also reduces the environmental impact associated with book production and transportation. Furthermore, Nikon De 5 F3 P Parts Manual User Guide books and manuals for download are incredibly convenient. With just a computer or smartphone and an internet connection, you can access a vast library of resources on any subject imaginable. Whether you're a student looking for textbooks, a professional seeking industry-specific manuals, or someone interested in self-improvement, these digital resources provide an efficient and accessible means of acquiring knowledge. Moreover, PDF books and manuals offer a range of benefits compared to other digital formats. PDF files are designed to retain their formatting regardless of the device used to open them. This ensures that the content appears exactly as intended by the author, with no loss of formatting or missing graphics. Additionally, PDF files can be easily annotated, bookmarked, and searched for specific terms, making them highly practical for studying or referencing. When it comes to accessing Nikon De 5 F3 P Parts Manual User Guide books and manuals, several platforms offer an extensive collection of resources. One such platform is Project Gutenberg, a nonprofit organization that provides over 60,000 free eBooks. These books are primarily in the public domain, meaning they can be freely distributed and downloaded. Project Gutenberg offers a wide range of classic literature, making it an excellent resource for literature enthusiasts. Another popular platform for Nikon De 5 F3 P Parts Manual User Guide books and manuals is Open Library. Open Library is an initiative of the Internet Archive, a non-profit organization dedicated to digitizing cultural artifacts and making them accessible to the public. Open Library hosts millions of books, including both public domain works and contemporary titles. It also allows users to borrow digital copies of certain books for a limited period, similar to a library lending system. Additionally, many universities and educational institutions have their own digital

libraries that provide free access to PDF books and manuals. These libraries often offer academic texts, research papers, and technical manuals, making them invaluable resources for students and researchers. Some notable examples include MIT OpenCourseWare, which offers free access to course materials from the Massachusetts Institute of Technology, and the Digital Public Library of America, which provides a vast collection of digitized books and historical documents. In conclusion, Nikon De 5 F3 P Parts Manual User Guide books and manuals for download have transformed the way we access information. They provide a cost-effective and convenient means of acquiring knowledge, offering the ability to access a vast library of resources at our fingertips. With platforms like Project Gutenberg, Open Library, and various digital libraries offered by educational institutions, we have access to an ever-expanding collection of books and manuals. Whether for educational, professional, or personal purposes, these digital resources serve as valuable tools for continuous learning and self-improvement. So why not take advantage of the vast world of Nikon De 5 F3 P Parts Manual User Guide books and manuals for download and embark on your journey of knowledge?

FAQs About Nikon De 5 F3 P Parts Manual User Guide Books

1. Where can I buy Nikon De 5 F3 P Parts Manual User Guide books? Bookstores: Physical bookstores like Barnes & Noble, Waterstones, and independent local stores. Online Retailers: Amazon, Book Depository, and various online bookstores offer a wide range of books in physical and digital formats.
2. What are the different book formats available? Hardcover: Sturdy and durable, usually more expensive. Paperback: Cheaper, lighter, and more portable than hardcovers. E-books: Digital books available for e-readers like Kindle or software like Apple Books, Kindle, and Google Play Books.
3. How do I choose a Nikon De 5 F3 P Parts Manual User Guide book to read? Genres: Consider the genre you enjoy (fiction, non-fiction, mystery, sci-fi, etc.). Recommendations: Ask friends, join book clubs, or explore online reviews and recommendations. Author: If you like a particular author, you might enjoy more of their work.
4. How do I take care of Nikon De 5 F3 P Parts Manual User Guide books? Storage: Keep them away from direct sunlight and in a dry environment. Handling: Avoid folding pages, use bookmarks, and handle them with clean hands. Cleaning: Gently dust the covers and pages occasionally.
5. Can I borrow books without buying them? Public Libraries: Local libraries offer a wide range of books for borrowing. Book Swaps: Community book exchanges or online platforms where people exchange books.
6. How can I track my reading progress or manage my book collection? Book Tracking Apps: Goodreads, LibraryThing,

and Book Catalogue are popular apps for tracking your reading progress and managing book collections. Spreadsheets: You can create your own spreadsheet to track books read, ratings, and other details.

7. What are Nikon De 5 F3 P Parts Manual User Guide audiobooks, and where can I find them? Audiobooks: Audio recordings of books, perfect for listening while commuting or multitasking. Platforms: Audible, LibriVox, and Google Play Books offer a wide selection of audiobooks.
8. How do I support authors or the book industry? Buy Books: Purchase books from authors or independent bookstores. Reviews: Leave reviews on platforms like Goodreads or Amazon. Promotion: Share your favorite books on social media or recommend them to friends.
9. Are there book clubs or reading communities I can join? Local Clubs: Check for local book clubs in libraries or community centers. Online Communities: Platforms like Goodreads have virtual book clubs and discussion groups.
10. Can I read Nikon De 5 F3 P Parts Manual User Guide books for free? Public Domain Books: Many classic books are available for free as they're in the public domain. Free E-books: Some websites offer free e-books legally, like Project Gutenberg or Open Library.

Find Nikon De 5 F3 P Parts Manual User Guide :

[nsc exam papers february march 20](#)

nps50 service manual

[november 2014 grade 9 papers](#)

nsc economics paper 2 june examination grade 11

november eksamen vraestelle besigheidstudie gr 11 memo

november 2014 edexcel maths non calc

november economics possible essays for grade 11

nt700v repair manual

november paper life sciences grade 11

november 2014 limpopo life sciences p1 grade 11 memorandum

[nt 11 unit quiz answers](#)

nrtc customer service manual answers

nsfas agreement form unisa 2015

[nsc grade 1 exam papers 21](#)

[nt1210 lab manual answers](#)

Nikon De 5 F3 P Parts Manual User Guide :

dastan e ameer hamza aur tilism e hoshruha rekhta - Dec 07 2022

web read book dastan e ameer hamza aur tilism e hoshruha tanqeedi mutala by shakil ur rahman on rekhta urdu books library navigate to next page by clicking on the book or click the arrows for previous and next page

[tilism e hoshruha](#) by muhammad husain jah goodreads - Apr 11 2023

web tilism e hoshruha complete and unabridged in urdu 7 volume set in 8 bindings by munshi muhammad hussain jaah 5th volume is in 2 bindings we as a nation tend to look down on anyone referring to classical urdu daastans epic is the closest but not the accurate genre in english literature

[tilism e hoshruha vol 1 ebooks archive org](#) - Jul 14 2023

web feb 24 2021 tilism e hoshruha vol 1 ebooks addeddate 2021 02 24 12 43 53 identifier tilism e hoshruha vol 1 ebooks identifier ark ark 13960 t5p94h52d ocr tesseract 5 0 0 alpha 20201231 7 gc75f

[tilism e hoshruha complete directory listing archive org](#) - Jun 13 2023

web a line drawing of the internet archive headquarters building façade an illustration of a magnifying glass

[talism hoshruha series collection kids urdu corner](#) - Mar 30 2022

web feb 5 2016 umro ayyar collection talism hoshruha by akhtar rizvi complete 10 parts umro ki ghaddari umro ka bhoot umro ke chailay umro ki ayyari umro ki gireftari umro ki rehai umro ka inteqam umro ki pareshani thanks alot for uploading umro ayyar talisim hoshruha series i had been searching this series for a long time again

tilism e hoshruha rekhta - Feb 09 2023

web tilism e hoshruha 1988 deewan e saghar siddiqi 1990 taubat un nusuh 1936 haqaiq 1978 punjab mein urdu 1988 angrezi adab ki mukhtasar tareekh 1970 tareekh falsafa e siyasiyat 1999 guru nanak dev 1969 raja gidh 1988 ulta darakht 1954 review be the first person to review this ebook read more reviews write a review

tilism hoshruha 7 volume set by munshi muhammad hussain - Sep 04 2022

web tilism hoshruha 7 volume set a magical tale that remains unrivalled in urdu literature spread over 7 volumes tilism hosh ruba is a part of the larger dastan e amir hamza our hero must enter the land of hoshruha with his companions to fight the wizard afrasyaab tilism hoshruha is a must have for anyone who has an

talism hoshruha reading section - Aug 03 2022

web apr 16 2014 talism hoshruha by munshi muhammad hussain read and download talism hoshruha by munshi muhammad hussain talism hoshruha by munshi muhammad hussain there are only 4 parts in that pdf i have read the book before and its

not complete in this pdf the whole epic book is about 10 parts plus 2 bonus parts plz

tilism e hosh ruba vol 1 by munshi ahmad hussain qamar rekhta - Mar 10 2023

web read book tilism e hosh ruba vol 1 by munshi ahmad hussain qamar on rekhta urdu books library navigate to next page by clicking on the book or click the arrows for previous and next page join rekhta family sign up and enjoy free unlimited access to a whole universe of urdu poetry language learning

tilism e hosh ruba complete archive org - Aug 15 2023

web tilism e hosh ruba complete identifier ark ark 13960 t6j20ps6k ocr tesseract 5 0 0 alpha 20201231 10 g1236 ocr detected lang ur ocr detected lang conf 1 0000 ocr detected script arabic ocr detected script conf 0 9409 ocr module version 0 0 13 ocr parameters l urd page number confidence 2 93 pdf module version 0 0 13 ppi

talismhosh rubacomplete pdf dev2 bryanu - Jul 02 2022

web ninja turtles talism hosh ruba the pakistan national bibliography the fisherman and the jinni the adventures of hamza desire named development tilism e hosh ruba Āb e Ḥayāt the secrets of the self cosmopolitan dreams a person of pakistani origins talism e hosh ruba hosh ruba the adventures of amir hamza premchand

hosh ruba the land and the tilism translated by musharraf - Jan 08 2023

web book one the land and the tilism a first translation of the world s first magical fantasy epic tilism e hosh ruba translated from the urdu with an introduction and notes by musharraf ali farooqi hosh ruba an introduction imagine a tall mountain reaching into the skies at the foot of it a large army of readers is gathered you among

talism hosh ruba complete uniport edu ng - Dec 27 2021

web aug 2 2023 talism hosh ruba complete 2 9 downloaded from uniport edu ng on august 2 2023 by guest powerful sahir sahiras and demons this brilliant condensed translation by shahnaz aijazuddin sensitively reinterprets the highly persianized urdu of the original text into this eminently readable book that retains the essence of the original

hosh ruba the land and the tilism softcover abebooks - Nov 06 2022

web the first book of the hosh ruba series begins with the giant laqa entering hosh ruba s protection and its sorcerer emperor finding himself at war with laqa s arch fiend amir hamza the lord of the auspicious planetary conjunction who pursues the giant with his numerous tricksters and a young prince the yet to be known conqueror designate of

umro ayyar collection talism hosh ruba by akhtar rizvi complete - Jan 28 2022

web sep 3 2023 umro ayyar talism hosh ruba series authored by akhtar rizvi dastan tilism e hosh ruba tilism e hosh ruba series contains collection of umro ayyar magical stories for kids in urdu language

tilism e hosh ruba pdf urdu book free download kutubistan - Apr 30 2022

web oct 21 2016 tilism e hosh ruba is one of the famous urdu books by mohammad hassan askari in the preface the author

writes that magic is believable but doing the magic is like disbelieving tilism e hosh ruba is all about the magic mr askari has written about the magic in a very different way

hoshruba the land and the tilism amazon com - Oct 05 2022

web may 2 2009 the first book of the hoshruba series begins with the giant laqa entering hoshruba s protection and its sorcerer emperor finding himself at war with laqa s arch fiend amir hamza the lord of the auspicious planetary conjunction who pursues the giant with his numerous tricksters and a young prince the yet to be known conqueror

talism e hoshruba ustad allah bakhsh google arts culture - Feb 26 2022

web details title talism e hoshruba creator ustad allah bakhsh date created 1935 physical location lahore museum lahore pakistan physical dimensions 60 x 73 7 rights lahore museum lahore pakistan medium oil on canvas explore museums and play with art transfer pocket galleries art selfie and more

talism hoshruba series collection urdu books forever a large - Jun 01 2022

web sep 8 2023 umro ayyar collection talism hoshruba by akhtar rizvi complete 10 parts 1 umroo ki ghaddari 2 umroo ka bhoot 3 umroo k cheile 4 umroo ki ayyari 5 umroo ki giriftari 6 umroo ki rihaai 7 umroo ka intiqaam 8 umroo ki preshani

tilism e hoshruba words without borders - May 12 2023

web dec 2 2009 section 1 of the tilism called hoshruba and the master of the tilism emperor afrasiyab we are told that in the bottom of the untold past a group of sorcerers met to create a magical world or tilism by using occult sciences to infuse inanimate matter with the spirits of planetary and cosmic forces

lionel jadot an autobiography by wim pauwels 2010 - Jun 17 2022

web find many great new used options and get the best deals for lionel jadot an autobiography by wim pauwels 2010 hardcover at the best online prices at ebay free shipping for many products

9789089440587 lionel jadot an autobiography pauwels wim - Feb 23 2023

web abebooks com lionel jadot an autobiography 9789089440587 by pauwels wim and a great selection of similar new used and collectible books available now at great prices 9789089440587 lionel jadot an autobiography pauwels wim 9089440585

lionel jadot an autobiography by pauwels wim amazon ae - Sep 20 2022

web buy lionel jadot an autobiography by pauwels wim online on amazon ae at best prices fast and free shipping free returns cash on delivery available on eligible purchase

lionel jadot an autobiography ouvrages sur l habitat wim - Oct 02 2023

web lionel jadot an autobiography ouvrages sur l habitat wim pauwels amazon com tr kitap

lionel jadot an autobiography worldcat org - Sep 01 2023

web summary lionel jadot b 1960 is a scion of the highly reputed family of furniture makers vanhamme who have excelled in

craftsmanship skills since 1895 the vanhamme workshops were the young lionel jadot s favourite play area and very early after his classical art education he achieved his first two complete projects two lofts and a

lionel jadot an autobiography ouvrage multilingue - Jan 25 2023

web résumé voir tout lionel jadot 1969 fait partie de la célèbre famille des ébénistes vanhamme qui depuis 1895 excellent dans le savoir faire artisanal enfant lionel jadot avait fait des ateliers vanhamme son terrain de jeu de prédilection

[lionel jadot an autobiography 2010 edition open library](#) - Jun 29 2023

web lionel jadot an autobiography by wim pauwels 0 ratings 0 want to read 0 currently reading 0 have read

lionel jadot an autobiography wim pauwels cultura - Apr 15 2022

web lionel jadot an autobiography par wim pauwels aux éditions beta plus

[lionel jadot an autobiography hardcover barnes noble](#) - Oct 22 2022

web sep 16 2010 the workshops of the highly reputed furniture makers vanhamme were the young lionel jadot s favorite play area and very early after his classical art

[lionel jadot an autobiography programma syriza gr](#) - Feb 11 2022

web lionel jadot an autobiography downloaded from programma syriza gr by guest jacob y kane travel home black dog pub limited manuscript is a reference book sui generis a combination of inspiration guide and notebook it explores basic aspects of interior design ceilings floors walls doors stairs and the

lionel jadot an autobiography by wim pauwels goodreads - May 29 2023

web 256 pages hardcover first published october 16 2010 book details editions

[lionel jadot an autobiography by pok marie near fine](#) - Nov 22 2022

web may 6 1998 abebooks com lionel jadot an autobiography folio blind stamped cloth dustwrapper 256pp illustrated throughout first edition french text with english and dutch translations

lionel jadot an autobiography de jean luc laloux decitre - Mar 15 2022

web aug 19 2010 marie pok jean claude jadot préfacier note moyenne donner le premier avis lionel jadot 1969 fait partie de la célèbre famille des ébénistes vanhamme qui depuis 1895 excellent dans le savoir faire artisanal enfant lionel lire la suite 90 70 neuf expédié sous 6 à 12 jours livré chez vous entre le 25 octobre et le 31 octobre

[lionel jadot an autobiography amazon com](#) - Jul 31 2023

web oct 16 2010 lionel jadot 1969 fait partie de la célèbre famille des ébénistes vanhamme qui depuis 1895 excellent dans le savoir faire artisanal enfant lionel jadot avait fait des ateliers vanhamme son terrain de jeu de prédilection

lionel jadot an autobiography pauwels wim amazon es libros - May 17 2022

web selecciona el departamento que quieras buscar

[lionel jadot an autobiography pauwels wim amazon fr livres](#) - Apr 27 2023

web lionel jadot 1969 fait partie de la célèbre famille des ébénistes vanhamme qui depuis 1895 excellent dans le savoir faire artisanal enfant lionel jadot avait fait des ateliers vanhamme son terrain de jeu de prédilection très tôt déjà après ses humanités artistiques on lui confie ses premiers projets d aménagement global

[lionel jadot an autobiography hardcover 1 july 2010](#) - Mar 27 2023

web jul 1 2010 select the department you want to search in

[lionel jadot an autobiography pauwels wim amazon de](#) - Jul 19 2022

web wähle die kategorie aus in der du suchen möchtest

[lionel jadot an autobiography william stout architectural books](#) - Aug 20 2022

web lionel jadot an autobiography cl beta plus 2010 book id 84576 exuberantly baroque sometimes minimal always inspired and sophisticated interiors 216 pp 130 color illus jadot

lionel jadot autobiography abebooks - Dec 24 2022

web lionel jadot an autobiography by pauwels wim and a great selection of related books art and collectibles available now at abebooks co uk

[fix und foxi super tip top nr 10 nach uns die sin pdf](#) - Sep 05 2022

web fix und foxi super tip top nr 10 nach uns die sin pdf pages 2 2 fix und foxi super tip top nr 10 nach uns die sin pdf upload suny k paterson 2 2 downloaded from status restek wwu edu on september 14 2023 by suny k paterson webjun 27 2023 this fix und foxi super tip top nr 6 raumpatrouille or pdf as one of the most

fix und foxi super tip top comic guide - Jan 09 2023

web fix und foxi super tip top vierfarbig einfarbig bd 6 die reihe wurde ab band 36 unter dem titel kauka super serie gevacur verlag 1970 77 fortgesetzt mehr zu diesem titel wurden 4 angebote im comic marktplatz gefunden

fix und foxi super tip top nr 10 nach uns die sin pdf - Jan 29 2022

web fix und foxi super tip top nr 10 nach uns die sin 2 4 downloaded from uniport edu ng on july 10 2023 by guest the tale of benjamin bunny beatrix potter 1985 peter s mischievous cousin benjamin bunny persuades him to go back to mr mcgregor s garden to retrieve the clothes he lost there straightforward

fix und foxi wikipedia - Feb 10 2023

web figuren fix und foxi fuchse sind die beiden hauptfiguren der kauka publikationen die zwillingsbrüder sind aufgeschlossen engagiert und sozial eingestellt und sollen den jungen lesern als vorbildhafte identifikationsfiguren dienen fix mit haarschopf trägt eine gelbe latzhose foxi eine blaue

fix und foxi super tip top nr 10 nach uns die sin copy - Mar 31 2022

web mar 30 2023 web20 feb 2023 fix und foxi super tip top nr 10 nach uns die sin is available in our digital fix und foxi super tip top nr 14 die pi staging4 sweetscape com fix und foxi super tip top nr 14 die pichelsteine p
fix und foxi super tip top nr 10 nach uns die sin pdf - May 01 2022

web may 28 2023 fix und foxi super tip top nr 10 nach uns die sin 1 6 downloaded from uniport edu ng on may 28 2023 by guest fix und foxi super tip top nr 10 nach uns die sin as recognized adventure as well as experience about lesson amusement as well as harmony can be gotten by just checking out a books fix und foxi super tip top nr 10

fix und foxi super tip top nr 10 nach uns die sin pdf 2023 - Nov 07 2022

web jul 4 2023 fix und foxi super tip top nr 10 nach uns die sin pdf right here we have countless book fix und foxi super tip top nr 10 nach uns die sin pdf and collections to check out we additionally present variant

fix und foxi super tip top nr 10 nach uns die sin full pdf - Jul 03 2022

web rather than enjoying a good ebook later a cup of coffee in the afternoon then again they juggled considering some harmful virus inside their computer fix und foxi super tip top nr 10 nach uns die sin is available in our digital library an online admission to it is set as public appropriately you can download it instantly

fix und foxi super tip top nr 10 nach uns die sin download - Aug 16 2023

web fix und foxi super tip top nr 10 nach uns die sin fix und foxi super tip top deutsches bücherverzeichnis fix und foxi super tip top jahresverzeichnis der verlagsschriften und einer auswahl der ausserhalb des buchhandels erschienenen veröffentlichungen der ddr der brd und westberlins sowie der deutschsprachigen

fix und foxi super tip top fix und foxi fi sammlerecke - Jul 15 2023

web fix und foxi super tip top cookie einstellungen fix und foxi super tip top gevacur gb nr 1 35 ausgabe nr 1 zustand 2 andere cookies die den komfort bei benutzung dieser website erhöhen der direktwerbung dienen oder die interaktion mit anderen websites und sozialen netzwerken vereinfachen sollen werden nur mit ihrer

fix und foxi super tip top nr 10 nach uns die sin uniport edu - Dec 28 2021

web apr 9 2023 right here we have countless book fix und foxi super tip top nr 10 nach uns die sin and collections to check out we additionally present variant types and moreover type of the books to browse

fix und foxi super tip top nr 10 nach uns die sin pdf ftp bonide - Dec 08 2022

web fix und foxi super tip top nr 10 nach uns die sin annual directory through press and advertising leitfaden für presse und werbung 4 fix und foxi super tip top nr 10 nach uns die sin 2021 10 14 la grammaire de l oral mise en scène négation dislocations etc différentes

fix und foxi super tip top nr 10 nach uns die sin 2022 - Aug 04 2022

web fix und foxi super tip top comics comics made in germany comics anatomy of a mass medium zitty fix und foxi super tip

top nr 10 nach uns die sin downloaded from reports budgetbakers com by guest laylah townsend fix und foxi super tip top atlantis verlag die phantastisch ist eine zeitschrift für science fiction fantasy und

fix und foxi super tip top nr 10 nach uns die sintflut by rolf - Jun 02 2022

web jun 14 2023 kauka ics fix und foxi super tip top fix und foxi super tip top par2 1 18 gb 1 47 lt ur powered for usenet gt yenc 1 1 collection size 615 76 mb parts available 1629 1629 24 par2 files publisher fix und foxi all titles by fix und foxi select a title name to see a brief description of that title and to see what items we have in stock and

super tip top comic contor - Jun 14 2023

web sortieren nach 1 30 von 31 ergebnissen 1 2 fix und foxi comic show 7 gevacur top fix und foxi super 35 die schlümpfe peyo gevacur comic heft aus der reihe fix foxi super fix und foxi super tip top von morris band 11 lucky luke billy the kid pulver prügel und pistolen

fix und foxi super tip top nr 10 nach uns die sin pdf monograf - May 13 2023

web for them in some cases you likewise accomplish not discover the declaration fix und foxi super tip top nr 10 nach uns die sin that you are looking for it will definitely squander the time however below considering you visit this web page it will be in view of that categorically simple to acquire as capably as download guide fix und foxi

fix und foxi super tip top nr 10 nach uns die sin fwhlmail - Feb 27 2022

web fix und foxi super tip top nr 10 nach uns die sin phantastisch ausgabe 79 3 2020 fix und foxi super tip top comics made in germany fix und foxi super tip top nr 10 nach uns die sin 3 3 probably first demonstrated by chemical engineers in the field of liquid liquid extraction indeed phenomena

fix und foxi super tip top nr 10 nach uns die sin 2023 - Apr 12 2023

web kindly say the fix und foxi super tip top nr 10 nach uns die sin is universally compatible with any devices to read ant man tom defalco 2012 01 01 it s the origin of the original avenger ant man hank pym has been known by a variety of names including ant man giant man goliath and yellowjacket he s been an innovative

fix und foxi super tip top fonts in use - Mar 11 2023

web nov 16 2015 fix und foxi super tip top nr 6 1967 raumpatrouille orion die raumfalle der kampf um die sonne invasion photo story fix und foxi super tip top nr 17 1968 die pichelsteiner auf sie mit gebrüll by ricardo rinaldi typefaces formats booklets pamphlets 1229 topics kids 419

fix und foxi super tip top nr 10 nach uns die sintflut by rolf - Oct 06 2022

web jun 8 2023 fix und foxi super tip top nr 10 nach uns die sintflut by rolf kauka it cannot approve repeatedly as we inform before appreciation for downloading fix und foxi super tip top nr 10 nach uns die sintflut by rolf kauka when people should go to the digital libraries investigate launch by shop aisle

