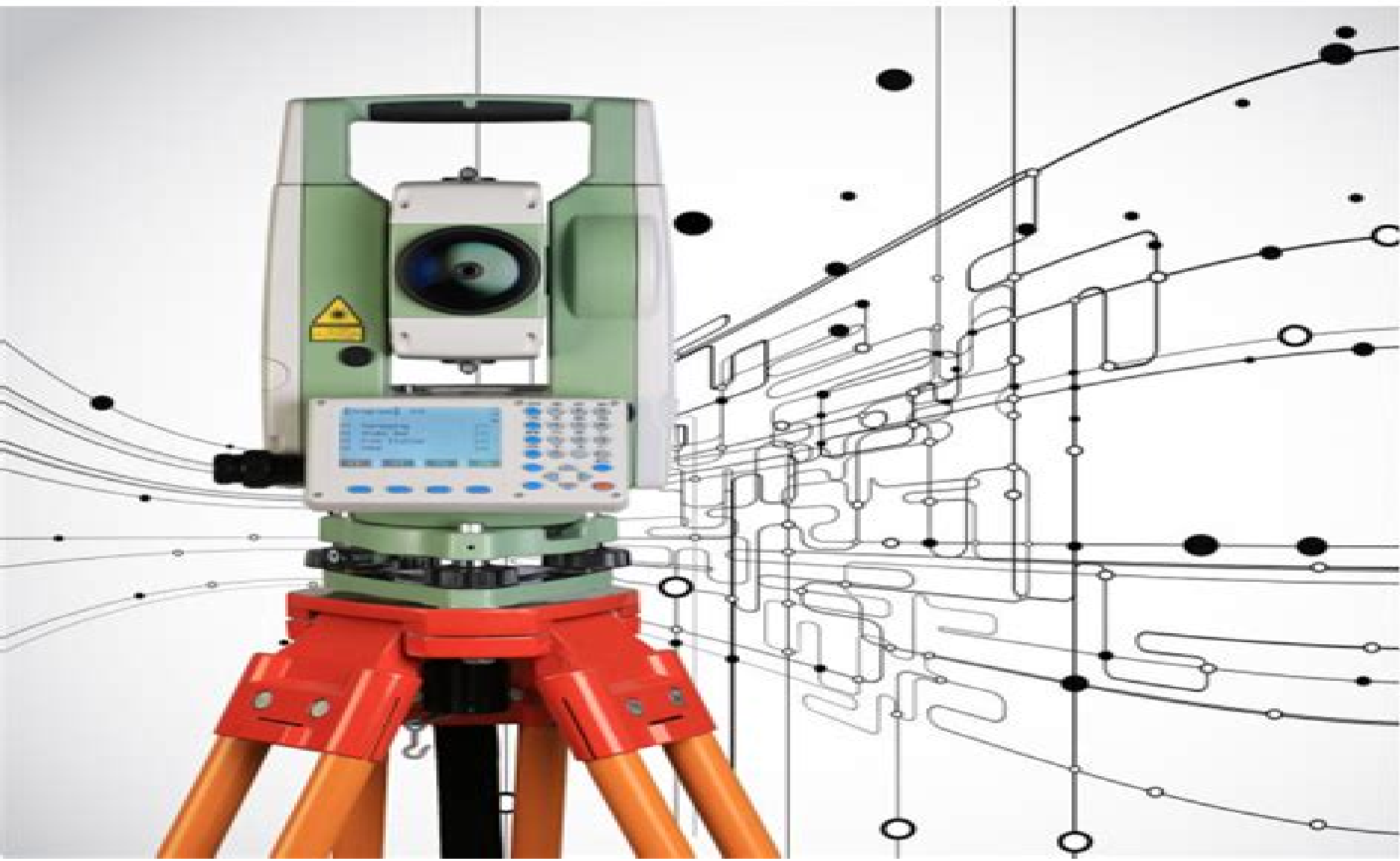


TOTAL STATION

Arc 5

New 1000m Reflectorless EDM

SANDING
EVERY POINT MATTERS



Sanding Total Station Manual

PT Brinkman



Sanding Total Station Manual:

American Manual of Values (annual) ,1902 **Poor's Manual of Railroads** ,1903 **Poor's Manual of Public Utilities** ,1918 **Poor's Manual of the Railroads of the United States** ,1905 With an appendix containing a full analysis of the debts of the United States the several states municipalities etc Also statements of street railway and traction companies industrial corporations etc statement omitted on later vols Railway Age ,1937 **BASF Handbook on Basics of Coating Technology** Artur Goldschmidt,Hans-Joachim Streitberger,2003 The new Handbook on Basics of Coating Technology is a classic reference recently updated with 18 years worth of new technology standards and developments in the worldwide coating industry This is an indispensable reference for anyone in the industry Whether you are involved in traditional processes or the most innovative this handbook will be a critical addition to your daily routine Full of color images graphs and figures the handbook comes complete with standard tables general classification figures definitions and an extensive keyword index Both engineers and technicians will find the answers they need within its pages Instead of solving problems after the fact this handbook helps avoiding them in the first place saving time and money This reference also gives beginners and practically oriented readers a journey through the different coating segments clearly illustrated with lots of pictures It also outlines the social changes in the industry concerning environmental compatibility and toxicology which have seriously affected product development *Popular Mechanics* ,1979-11 *Popular Mechanics* inspires instructs and influences readers to help them master the modern world Whether it s practical DIY home improvement tips gadgets and digital technology information on the newest cars or the latest breakthroughs in science PM is the ultimate guide to our high tech lifestyle *Sheet Metal Industries* ,1982 **Popular Science** ,1981-09 *Popular Science* gives our readers the information and tools to improve their technology and their world The core belief that *Popular Science* and our readers share The future is going to be better and science and technology are the driving forces that will help make it better *Municipal Journal, Public Works Engineer and Contractors' Guide* ,1938 Popular Mechanics ,1986-05 *Popular Mechanics* inspires instructs and influences readers to help them master the modern world Whether it s practical DIY home improvement tips gadgets and digital technology information on the newest cars or the latest breakthroughs in science PM is the ultimate guide to our high tech lifestyle Commerce Business Daily ,1998-11 Popular Mechanics ,1964-04 *Popular Mechanics* inspires instructs and influences readers to help them master the modern world Whether it s practical DIY home improvement tips gadgets and digital technology information on the newest cars or the latest breakthroughs in science PM is the ultimate guide to our high tech lifestyle The Train Dispatcher ,1927 **Engineering** ,1928 Tramway and Railway World ,1902 **Code of Federal Regulations** United States. Department of Agriculture,1994 Special edition of the Federal Register containing a codification of documents of general applicability and future effect as of July 1 with ancillaries *Popular Science* ,1951-07 *Popular Science* gives our readers the information and tools to improve their technology and their world The core belief that

Popular Science and our readers share The future is going to be better and science and technology are the driving forces that will help make it better **Society of Automotive Engineers [preprints].** ,1950 *Planters' Notes* ,1967 Some no include reports compiled from information furnished by State Foresters and others

Getting the books **Sanding Total Station Manual** now is not type of challenging means. You could not without help going like ebook heap or library or borrowing from your associates to right to use them. This is an unconditionally simple means to specifically acquire guide by on-line. This online publication Sanding Total Station Manual can be one of the options to accompany you past having extra time.

It will not waste your time. acknowledge me, the e-book will completely heavens you further issue to read. Just invest little time to admittance this on-line revelation **Sanding Total Station Manual** as without difficulty as review them wherever you are now.

https://www.hersolutiongelbuy.com/book/publication/default.aspx/solutions_income_tax_fundamentals_24.pdf

Table of Contents Sanding Total Station Manual

1. Understanding the eBook Sanding Total Station Manual
 - The Rise of Digital Reading Sanding Total Station Manual
 - Advantages of eBooks Over Traditional Books
2. Identifying Sanding Total Station Manual
 - Exploring Different Genres
 - Considering Fiction vs. Non-Fiction
 - Determining Your Reading Goals
3. Choosing the Right eBook Platform
 - Popular eBook Platforms
 - Features to Look for in an Sanding Total Station Manual
 - User-Friendly Interface
4. Exploring eBook Recommendations from Sanding Total Station Manual
 - Personalized Recommendations
 - Sanding Total Station Manual User Reviews and Ratings
 - Sanding Total Station Manual and Bestseller Lists

5. Accessing Sanding Total Station Manual Free and Paid eBooks
 - Sanding Total Station Manual Public Domain eBooks
 - Sanding Total Station Manual eBook Subscription Services
 - Sanding Total Station Manual Budget-Friendly Options
6. Navigating Sanding Total Station Manual eBook Formats
 - ePub, PDF, MOBI, and More
 - Sanding Total Station Manual Compatibility with Devices
 - Sanding Total Station Manual Enhanced eBook Features
7. Enhancing Your Reading Experience
 - Adjustable Fonts and Text Sizes of Sanding Total Station Manual
 - Highlighting and Note-Taking Sanding Total Station Manual
 - Interactive Elements Sanding Total Station Manual
8. Staying Engaged with Sanding Total Station Manual
 - Joining Online Reading Communities
 - Participating in Virtual Book Clubs
 - Following Authors and Publishers Sanding Total Station Manual
9. Balancing eBooks and Physical Books Sanding Total Station Manual
 - Benefits of a Digital Library
 - Creating a Diverse Reading Collection Sanding Total Station Manual
10. Overcoming Reading Challenges
 - Dealing with Digital Eye Strain
 - Minimizing Distractions
 - Managing Screen Time
11. Cultivating a Reading Routine Sanding Total Station Manual
 - Setting Reading Goals Sanding Total Station Manual
 - Carving Out Dedicated Reading Time
12. Sourcing Reliable Information of Sanding Total Station Manual
 - Fact-Checking eBook Content of Sanding Total Station Manual
 - Distinguishing Credible Sources
13. Promoting Lifelong Learning

- Utilizing eBooks for Skill Development
 - Exploring Educational eBooks
14. Embracing eBook Trends
- Integration of Multimedia Elements
 - Interactive and Gamified eBooks

Sanding Total Station Manual Introduction

Sanding Total Station Manual Offers over 60,000 free eBooks, including many classics that are in the public domain. Open Library: Provides access to over 1 million free eBooks, including classic literature and contemporary works. Sanding Total Station Manual Offers a vast collection of books, some of which are available for free as PDF downloads, particularly older books in the public domain. Sanding Total Station Manual : This website hosts a vast collection of scientific articles, books, and textbooks. While it operates in a legal gray area due to copyright issues, its a popular resource for finding various publications. Internet Archive for Sanding Total Station Manual : Has an extensive collection of digital content, including books, articles, videos, and more. It has a massive library of free downloadable books. Free-eBooks Sanding Total Station Manual Offers a diverse range of free eBooks across various genres. Sanding Total Station Manual Focuses mainly on educational books, textbooks, and business books. It offers free PDF downloads for educational purposes. Sanding Total Station Manual Provides a large selection of free eBooks in different genres, which are available for download in various formats, including PDF. Finding specific Sanding Total Station Manual, especially related to Sanding Total Station Manual, might be challenging as theyre often artistic creations rather than practical blueprints. However, you can explore the following steps to search for or create your own Online Searches: Look for websites, forums, or blogs dedicated to Sanding Total Station Manual, Sometimes enthusiasts share their designs or concepts in PDF format. Books and Magazines Some Sanding Total Station Manual books or magazines might include. Look for these in online stores or libraries. Remember that while Sanding Total Station Manual, sharing copyrighted material without permission is not legal. Always ensure youre either creating your own or obtaining them from legitimate sources that allow sharing and downloading. Library Check if your local library offers eBook lending services. Many libraries have digital catalogs where you can borrow Sanding Total Station Manual eBooks for free, including popular titles. Online Retailers: Websites like Amazon, Google Books, or Apple Books often sell eBooks. Sometimes, authors or publishers offer promotions or free periods for certain books. Authors Website Occasionally, authors provide excerpts or short stories for free on their websites. While this might not be the Sanding Total Station Manual full book , it can give you a taste of the authors writing style. Subscription Services Platforms like Kindle Unlimited or Scribd offer subscription-based access to a wide range of Sanding Total Station Manual eBooks, including some

popular titles.

FAQs About Sanding Total Station Manual Books

1. Where can I buy Sanding Total Station Manual books? Bookstores: Physical bookstores like Barnes & Noble, Waterstones, and independent local stores. Online Retailers: Amazon, Book Depository, and various online bookstores offer a wide range of books in physical and digital formats.
2. What are the different book formats available? Hardcover: Sturdy and durable, usually more expensive. Paperback: Cheaper, lighter, and more portable than hardcovers. E-books: Digital books available for e-readers like Kindle or software like Apple Books, Kindle, and Google Play Books.
3. How do I choose a Sanding Total Station Manual book to read? Genres: Consider the genre you enjoy (fiction, non-fiction, mystery, sci-fi, etc.). Recommendations: Ask friends, join book clubs, or explore online reviews and recommendations. Author: If you like a particular author, you might enjoy more of their work.
4. How do I take care of Sanding Total Station Manual books? Storage: Keep them away from direct sunlight and in a dry environment. Handling: Avoid folding pages, use bookmarks, and handle them with clean hands. Cleaning: Gently dust the covers and pages occasionally.
5. Can I borrow books without buying them? Public Libraries: Local libraries offer a wide range of books for borrowing. Book Swaps: Community book exchanges or online platforms where people exchange books.
6. How can I track my reading progress or manage my book collection? Book Tracking Apps: Goodreads, LibraryThing, and Book Catalogue are popular apps for tracking your reading progress and managing book collections. Spreadsheets: You can create your own spreadsheet to track books read, ratings, and other details.
7. What are Sanding Total Station Manual audiobooks, and where can I find them? Audiobooks: Audio recordings of books, perfect for listening while commuting or multitasking. Platforms: Audible, LibriVox, and Google Play Books offer a wide selection of audiobooks.
8. How do I support authors or the book industry? Buy Books: Purchase books from authors or independent bookstores. Reviews: Leave reviews on platforms like Goodreads or Amazon. Promotion: Share your favorite books on social media or recommend them to friends.
9. Are there book clubs or reading communities I can join? Local Clubs: Check for local book clubs in libraries or community centers. Online Communities: Platforms like Goodreads have virtual book clubs and discussion groups.

10. Can I read Sanding Total Station Manual books for free? Public Domain Books: Many classic books are available for free as they're in the public domain. Free E-books: Some websites offer free e-books legally, like Project Gutenberg or Open Library.

Find Sanding Total Station Manual :

solutions income tax fundamentals 24

~~solutions manual elementary differential equations boyce 10th~~

solution manual microelectronic circuit design 4th edition

solutions manual electric

solution manual mechanics of materials by rc hibbeler in

solution manual modern database management 8e

solution manual of erwin kreyszig 9th edition

solutions manual digital control system and analysis

solution manual of matlab

solution manual of digital design by morris mano

solution manual quantum mechanics

solutions manual for simply visual basic 2010

solution manual mis cases

solution manual of financial accounting 2 by valix

solutions manual for introduction to quantum mechanics

Sanding Total Station Manual :

A History of the United States, Brief 10th Edition The Brief Edition of A PEOPLE AND A NATION offers a succinct and spirited narrative that tells the stories of all people in the United States. A People and a Nation: A History of the ... A People and a Nation offers a spirited narrative that challenges students to think about American history. The authors' attention to race and racial ... A History of the United States, Student Edition ... A social and cultural emphasis on the diverse experiences of everyday people enables students to imagine life in the past. Expanded coverage of post-1945 ... A People and a Nation: A History of the United States, 8th ... About this edition. A People and a Nation offers a spirited narrative that challenges students to think about American history. The authors' attention to race ... A people & a nation : a history of the

United States A people & a nation : a history of the United States ; Author: Mary Beth Norton ; Edition: Brief tenth edition, Student edition View all formats and editions. A People and a Nation, 11th Edition - 9780357661772 Use MindTap for Norton's, A People and a Nation: A History of the United States, Brief Edition, 11th Edition as-is or customize it to meet your specific needs. A People and a Nation: A History of the United States A PEOPLE AND A NATION is a best-selling text offering a spirited narrative that tells the stories of all people in the United States. A People and a Nation, 8th Edition Textbook Notes These A People and a Nation: 8th Edition Notes will help you study more effectively for your AP US History tests and exams. Additional Information: Hardcover: ... A People and a Nation: A History of the United... This spirited narrative challenges students to think about the meaning of American history. Thoughtful inclusion of the lives of everyday people, ... Audiobook: A People and a Nation : A History ... The Brief Edition of A PEOPLE AND A NATION preserves the text's approach to American history as a story of all American people. Known for a number of ... Glencoe Mcgraw Hill Pre Algebra Answer Key WebChapter 1 A3 Glencoe Algebra 2 Answers Answers (Lesson 1-1) Skills Practice Expressions and Formulas Find the value of each expression. 1. 18 2 3 27 2. Glencoe Pre-Algebra answers & resources Homework Practice Workbook This Homework Practice Workbook gives you additional problems for the concept exercises in each lesson. Pre-Algebra Homework Practice Workbook - 1st Edition Find step-by-step solutions and answers to Pre-Algebra Homework Practice Workbook - 9780078907401, as well as thousands of textbooks so you can move forward ... Glencoe McGraw-Hill Pre-Algebra answers & resources Glencoe pre algebra homework practice workbook answer ... Glencoe pre algebra homework practice workbook answer key pdf. HomePre-AlgebraThe resource you requested requires you to enter a username and password below ... Glencoe Pre Algebra Workbook Answer Key Pdf The workbook includes a variety of exercises, problem-solving activities, and real-world applications to help students master pre-algebra topics such as number ... Answer Key Masters (Glencoe Pre-Algebra) ... Answer Key Masters (Glencoe Pre-Algebra) (Glencoe Pre-Algebra) ; Or fastest delivery Thursday, December 21. Order within 21 hrs 9 mins ; 978-0028250502. See all ... Student Workbooks Scavenger Hunt Answer Sheet Science and Mathematics Lab Manual Spanish ... Pre-Algebra. Student Workbooks. Homework Practice Workbook (13850.0K) · Study ... Two Female Scenes from Plays Great two female scenes from published plays with video examples, analysis and character descriptions. Duet Acting Scene Suggestions for Actresses from Plays Jul 24, 2020 — We've provided a list of challenging and unique duet acting scenes for two females. · School Girls by Jocelyn Bioh (Comedy) · Familiar by Danai ... Free 2-Person Scenes Welcome to the YouthPLAYS Free Scenes page! All of these scenes are from our published plays and can be sorted by cast size and then genre. Scenes are added ... Scenes - Two Girls Across Oka - Eileen & Tessa · Accused - Sarah & Katherine · Air Force One - Rose & Alice · All About Eve - Eve & Karen · Ally McBeal (Grocery Store scene). Dramatic Duet Acting Scripts for Women and Men Here are 33 acting scripts that are duologue oriented for men and women actor practice. It's a mix of drama,. Read more. Featured Monologues. Scenes - Two Women - THET 000 - Theatre - Finding Plays ... THET 000 -

Theatre - Finding Plays at HCC Library - Course Guide: Scenes - Two Women. Resources for locating plays in the Library's collections and resources. Two Person Scenes from Plays Great two person scenes from published plays with video examples, analysis and character descriptions. Scenes.pdf No information is available for this page. Male and Female Duet Acting Scene Suggestions - by Play Aug 6, 2020 — Looking for a male/female duet scene for class, explore this list of scene suggestions specially tailored for you. If the clips inspire you, ... Female Duet Scenes | Open Forum Sep 17, 2015 — I am looking for a quality comedy duet scene for two of my outstanding females for our state competition. Any suggestions?