

AVAILABLE PARTS

MOTOR/GEARBOX

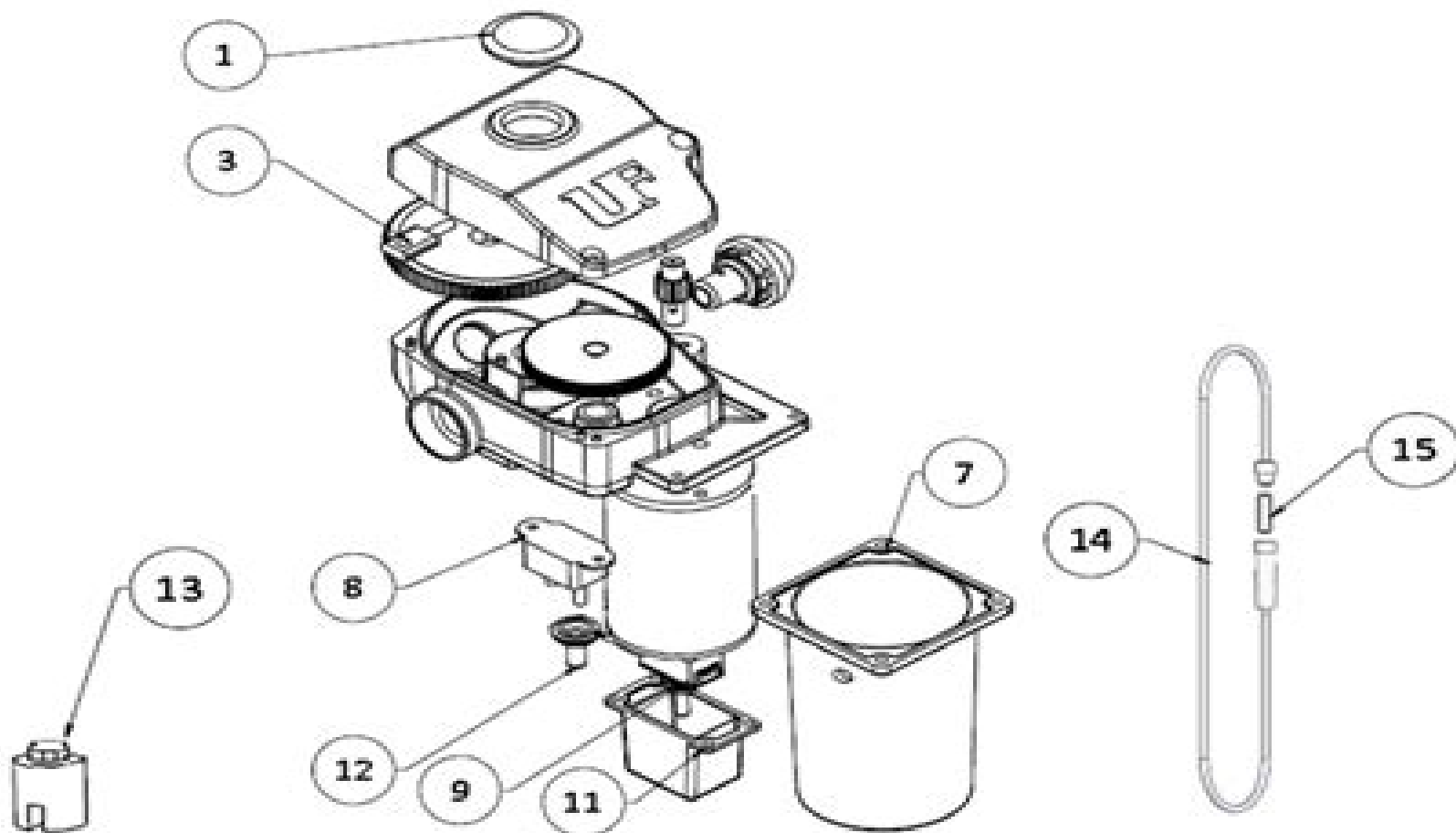
(LOWER STEM FOR THE BELOW JACKS IS NO LONGER AVAILABLE)

Ultra 3500 – 2.25" Tongue Jack – serial numbers up to 10-021000

Ultra 3502 – 2" Tongue Jack – serial numbers up to 010150

Ultra 3002 – 2" Tongue Jack – serial numbers up to 10-012000

IF YOU CANNOT IDENTIFY YOUR JACK - PLEASE CALL US: (800) 860-7571



Pk3500 Parts List

A Gutmann



Pk3500 Parts List:

The AOPA Pilot ,1968 **Spare Parts List** ,2015 **Overhaul Manual and Illustrated Parts List** ,1973 Mopar
"streamliner" Parts List Chrysler Corporation. Parts Division,1947

Discover tales of courage and bravery in is empowering ebook, Stories of Fearlessness: **Pk3500 Parts List** . In a downloadable PDF format (PDF Size: *), this collection inspires and motivates. Download now to witness the indomitable spirit of those who dared to be brave.

https://www.hersolutiongelbuy.com/public/Resources/Documents/Samsung_Seek_Screen_Repair.pdf

Table of Contents Pk3500 Parts List

1. Understanding the eBook Pk3500 Parts List
 - The Rise of Digital Reading Pk3500 Parts List
 - Advantages of eBooks Over Traditional Books
2. Identifying Pk3500 Parts List
 - Exploring Different Genres
 - Considering Fiction vs. Non-Fiction
 - Determining Your Reading Goals
3. Choosing the Right eBook Platform
 - Popular eBook Platforms
 - Features to Look for in an Pk3500 Parts List
 - User-Friendly Interface
4. Exploring eBook Recommendations from Pk3500 Parts List
 - Personalized Recommendations
 - Pk3500 Parts List User Reviews and Ratings
 - Pk3500 Parts List and Bestseller Lists
5. Accessing Pk3500 Parts List Free and Paid eBooks
 - Pk3500 Parts List Public Domain eBooks
 - Pk3500 Parts List eBook Subscription Services
 - Pk3500 Parts List Budget-Friendly Options
6. Navigating Pk3500 Parts List eBook Formats

- ePub, PDF, MOBI, and More
- Pk3500 Parts List Compatibility with Devices
- Pk3500 Parts List Enhanced eBook Features
- 7. Enhancing Your Reading Experience
 - Adjustable Fonts and Text Sizes of Pk3500 Parts List
 - Highlighting and Note-Taking Pk3500 Parts List
 - Interactive Elements Pk3500 Parts List
- 8. Staying Engaged with Pk3500 Parts List
 - Joining Online Reading Communities
 - Participating in Virtual Book Clubs
 - Following Authors and Publishers Pk3500 Parts List
- 9. Balancing eBooks and Physical Books Pk3500 Parts List
 - Benefits of a Digital Library
 - Creating a Diverse Reading Collection Pk3500 Parts List
- 10. Overcoming Reading Challenges
 - Dealing with Digital Eye Strain
 - Minimizing Distractions
 - Managing Screen Time
- 11. Cultivating a Reading Routine Pk3500 Parts List
 - Setting Reading Goals Pk3500 Parts List
 - Carving Out Dedicated Reading Time
- 12. Sourcing Reliable Information of Pk3500 Parts List
 - Fact-Checking eBook Content of Pk3500 Parts List
 - Distinguishing Credible Sources
- 13. Promoting Lifelong Learning
 - Utilizing eBooks for Skill Development
 - Exploring Educational eBooks
- 14. Embracing eBook Trends
 - Integration of Multimedia Elements
 - Interactive and Gamified eBooks

Pk3500 Parts List Introduction

In today's digital age, the availability of Pk3500 Parts List books and manuals for download has revolutionized the way we access information. Gone are the days of physically flipping through pages and carrying heavy textbooks or manuals. With just a few clicks, we can now access a wealth of knowledge from the comfort of our own homes or on the go. This article will explore the advantages of Pk3500 Parts List books and manuals for download, along with some popular platforms that offer these resources. One of the significant advantages of Pk3500 Parts List books and manuals for download is the cost-saving aspect. Traditional books and manuals can be costly, especially if you need to purchase several of them for educational or professional purposes. By accessing Pk3500 Parts List versions, you eliminate the need to spend money on physical copies. This not only saves you money but also reduces the environmental impact associated with book production and transportation. Furthermore, Pk3500 Parts List books and manuals for download are incredibly convenient. With just a computer or smartphone and an internet connection, you can access a vast library of resources on any subject imaginable. Whether you're a student looking for textbooks, a professional seeking industry-specific manuals, or someone interested in self-improvement, these digital resources provide an efficient and accessible means of acquiring knowledge. Moreover, PDF books and manuals offer a range of benefits compared to other digital formats. PDF files are designed to retain their formatting regardless of the device used to open them. This ensures that the content appears exactly as intended by the author, with no loss of formatting or missing graphics. Additionally, PDF files can be easily annotated, bookmarked, and searched for specific terms, making them highly practical for studying or referencing. When it comes to accessing Pk3500 Parts List books and manuals, several platforms offer an extensive collection of resources. One such platform is Project Gutenberg, a nonprofit organization that provides over 60,000 free eBooks. These books are primarily in the public domain, meaning they can be freely distributed and downloaded. Project Gutenberg offers a wide range of classic literature, making it an excellent resource for literature enthusiasts. Another popular platform for Pk3500 Parts List books and manuals is Open Library. Open Library is an initiative of the Internet Archive, a non-profit organization dedicated to digitizing cultural artifacts and making them accessible to the public. Open Library hosts millions of books, including both public domain works and contemporary titles. It also allows users to borrow digital copies of certain books for a limited period, similar to a library lending system. Additionally, many universities and educational institutions have their own digital libraries that provide free access to PDF books and manuals. These libraries often offer academic texts, research papers, and technical manuals, making them invaluable resources for students and researchers. Some notable examples include MIT OpenCourseWare, which offers free access to course materials from the Massachusetts Institute of Technology, and the Digital Public Library of America, which provides a vast collection of digitized books and historical documents. In conclusion, Pk3500 Parts List books and manuals for download have transformed the way we access information. They provide a cost-effective and convenient

means of acquiring knowledge, offering the ability to access a vast library of resources at our fingertips. With platforms like Project Gutenberg, Open Library, and various digital libraries offered by educational institutions, we have access to an ever-expanding collection of books and manuals. Whether for educational, professional, or personal purposes, these digital resources serve as valuable tools for continuous learning and self-improvement. So why not take advantage of the vast world of Pk3500 Parts List books and manuals for download and embark on your journey of knowledge?

FAQs About Pk3500 Parts List Books

What is a Pk3500 Parts List PDF? A PDF (Portable Document Format) is a file format developed by Adobe that preserves the layout and formatting of a document, regardless of the software, hardware, or operating system used to view or print it.

How do I create a Pk3500 Parts List PDF? There are several ways to create a PDF: Use software like Adobe Acrobat, Microsoft Word, or Google Docs, which often have built-in PDF creation tools. Print to PDF: Many applications and operating systems have a "Print to PDF" option that allows you to save a document as a PDF file instead of printing it on paper. Online converters: There are various online tools that can convert different file types to PDF.

How do I edit a Pk3500 Parts List PDF? Editing a PDF can be done with software like Adobe Acrobat, which allows direct editing of text, images, and other elements within the PDF. Some free tools, like PDFescape or Smallpdf, also offer basic editing capabilities.

How do I convert a Pk3500 Parts List PDF to another file format? There are multiple ways to convert a PDF to another format: Use online converters like Smallpdf, Zamzar, or Adobe Acrobat's export feature to convert PDFs to formats like Word, Excel, JPEG, etc. Software like Adobe Acrobat, Microsoft Word, or other PDF editors may have options to export or save PDFs in different formats.

How do I password-protect a Pk3500 Parts List PDF? Most PDF editing software allows you to add password protection. In Adobe Acrobat, for instance, you can go to "File" -> "Properties" -> "Security" to set a password to restrict access or editing capabilities. Are there any free alternatives to Adobe Acrobat for working with PDFs? Yes, there are many free alternatives for working with PDFs, such as: LibreOffice: Offers PDF editing features. PDFsam: Allows splitting, merging, and editing PDFs. Foxit Reader: Provides basic PDF viewing and editing capabilities. How do I compress a PDF file?

You can use online tools like Smallpdf, ILovePDF, or desktop software like Adobe Acrobat to compress PDF files without significant quality loss. Compression reduces the file size, making it easier to share and download. Can I fill out forms in a PDF file? Yes, most PDF viewers/editors like Adobe Acrobat, Preview (on Mac), or various online tools allow you to fill out forms in PDF files by selecting text fields and entering information. Are there any restrictions when working with PDFs?

Some PDFs might have restrictions set by their creator, such as password protection, editing restrictions, or print restrictions. Breaking these restrictions might require specific software or tools, which may or may not be legal depending on

the circumstances and local laws.

Find Pk3500 Parts List :

samsung seek screen repair

[samsung s27a350h monitors owners manual](#)

~~samsung s4 factory reset code~~

~~samsung rugby pro user manual~~

samsung led 46 diagram

samsung pn50c550 tvs owners manual

[samsung sir ts160 satellite receivers owners manual](#)

samsung ml 1665 multifunction printers owners manual

samsung i8520 user manual

samsung led tv repair

samsung sch a950 cell phones accessory owners manual

[samsung hue user manual](#)

samsung le32b530 manual

samsung sc d355 camcorders owners manual

samsung ml 2525 printers owners manual

Pk3500 Parts List :

de volume por alfo sintaxis ejercicios sintaxis 2 - Dec 13 2022

de volume por alfo sintaxis ejercicios sintaxis 2 1 4 downloaded from biblioteca ump edu pe on march 20 2023 by guest de volume por alfo sintaxis ejercicios sintaxis 2 eventually you will extremely discover a additional experience and achievement by spending more cash yet when complete you agree to that you

[sintaxis ejercicios de volume 2 sintaxis por alfo book](#) - Apr 17 2023

sintaxis ejercicios de volume 2 sintaxis por alfo entrenamiento funcional en programas de fitness volumen ii jul 29 2022 el volumen ii supone la lógica aplicación práctica de los conceptos presentados en el primer volumen lograr diseñar un entrenamiento muscular funcional eficaz es su objetivo principal contiene las bases

sintaxis ejercicios de volume 2 sintaxis por alfonso ruiz de - Jul 20 2023

contiene más de 30 análisis de oraciones que han salido en exámenes de selectividad de distintas comunidades incluye un solucionario con más de 150 análisis en bandejas Únete a nuestro grupo de facebook en sintaxis por alfonso ruiz de aguirre [separar en sílabas la palabra elfo letra y sílaba tónica de elfo](#) - May 06 2022

resultado de separar en sílabas la palabra elfo el fo la palabra elfo tiene dos sílabas el fo por lo tanto es bisílaba por su acentuación es clasificada como grave llana su sílaba tónica es la primera la penúltima y su letra tónica la número 1 su acentuación es prosódica al no llevar tilde

sintaxis ejercicios de volume 2 sintaxis por alfo download only - Feb 03 2022

sintaxis ejercicios de volume 2 sintaxis por alfo libros españoles bibliotheca hispana nineteen eighty four bibliografía general española e hispano americana bibliografía general española e hispanoamericana las gramáticas de la real academia española teoría gramatical sintaxis y subordinación 1854 1924 bibliografía hispánica

[sintaxis ejercicios de volume 2 sintaxis por alfonso ruiz de](#) - Aug 21 2023

incluye ejercicios sobre morfología sintagmas sujeto predicado verbal y nominal elementos oracionales pronombres personales átonos los famosos usos de se proposiciones yuxtapuestas coordinadas subordinadas adjetivas subordinadas sustantivas subordinadas adjetivas sustantivadas subordinadas adverbiales oraciones con más de dos

sintaxis ejercicios de volume 2 sintaxis por alfo uniport edu - Sep 10 2022

start getting this info get the sintaxis ejercicios de volume 2 sintaxis por alfo belong to that we present here and check out the link you could purchase lead sintaxis ejercicios de volume 2 sintaxis por alfo or get it as soon as feasible you could speedily download this sintaxis ejercicios de volume 2 sintaxis por alfo after getting deal

[etderamen descargar sintaxis ejercicios de volume 2 sintaxis por](#) - May 18 2023

oct 23 2018 descargar sintaxis ejercicios de volume 2 sintaxis por alfonso ruiz de aguirre pdf epub mobi kindle sintaxis ejercicios de volume 2 sintaxis por alfonso ruiz de aguirre pdf ebooks online free download

sintaxis ejercicios de volume 2 sintaxis por alfo - Mar 04 2022

sintaxis sep 29 2021 el éxito de sintaxis para alérgicos a la sintaxis me ha animado a complementarlo con este libro de ejercicios son los mismos que incluye sintaxis de 0 a 100 en 99 incluye ejercicios sobre morfología sintagmas sujeto predicado verbal y nominal elementos oracionales pronombres

[sintaxis ejercicios de volume 2 sintaxis por alfo book](#) - Jan 14 2023

sintaxis ejercicios de volume 2 sintaxis por alfo introduccin al griego de la biblia ii aeth jan 17 2021 introduction to the greek of the bible vols i and ii provide us with an enjoyable and organized way to study this biblical language the easy to understand methodology that the

sintaxis ejercicios de volume 2 sintaxis por alfo full pdf - Mar 16 2023

sintaxis ejercicios de volume 2 sintaxis por alfo helmantica ejercicios de sintaxis supraoracional nueva gramática de la lengua española bibliotheca hispana revista de información y orientación bibliográficas sección 3 ejercicios de sintaxis del latín al castellano acomodados a la sintaxis latina tiempo espacio y comunicación

[sintaxis ejercicios de volume 2 sintaxis por alfo 2023](#) - Nov 12 2022

sintaxis ejercicios de volume 2 sintaxis por alfo humanistica lovaniensia jun 13 2020 volume 45 psicología de la educación jan 01 2022 también se ha deseado amenizar el estudio con numerosas curiosidades y ejemplos de la lengua su historia y sus textos deseáramos que nuestros lectores hallaran útil y de fácil manejo este atlas

sintaxis ejercicios de volume 2 sintaxis por alfo pdf - Oct 11 2022

sintaxis ejercicios de volume 2 sintaxis por alfo 1 sintaxis ejercicios de volume 2 sintaxis por alfo bibliografía general española e hispanoamericana catálogo de la biblioteca luis angel arango fondo colombia bibliografía hispánica problemas actuales en teoría lingüística la educación y el proceso autonómico volumen viii el libro

[sintaxis ejercicios de volume 2 sintaxis por alfo full pdf](#) - Sep 22 2023

sintaxis ejercicios de volume 2 sintaxis por alfo introducción a la lingüística hispánica josé ignacio hualde 2009 12 03 written entirely in spanish this is the ideal introduction to spanish linguistics for students using clear explanations it covers all the basic concepts required to study the structural aspects of the spanish language

[sintaxis ejercicios de volume 2 sintaxis por alfo copy uniport edu](#) - Aug 09 2022

sep 10 2023 sintaxis ejercicios de volume 2 sintaxis por alfo thank you completely much for downloading sintaxis ejercicios de volume 2 sintaxis por alfo most likely you have knowledge that people have look numerous time for their favorite books subsequently this sintaxis ejercicios de volume 2 sintaxis por alfo but end in the works in harmful downloads

sintaxis ejercicios de volume 2 sintaxis por alfo 2022 mail - Apr 05 2022

4 sintaxis ejercicios de volume 2 sintaxis por alfo 2023 07 19 han impartido la asignatura de gramática descriptiva de la lengua española i el texto apoyo para las clases presénciales se divide en los ocho temas que configuran el programa docente de esta asignatura esto es dos temas en los que se justifica por una parte cuál es la

[fisica vol 2 alonso finn solucionario pdf scribd](#) - Jun 07 2022

guardar guardar fisica vol 2 alonso finn solucionario para más tarde 83 83 encontró este documento útil marcar este documento como útil 17 a un 17 le pareció que este documento no es útil marcar este documento como no útil

sintaxis ejercicios de volume 2 sintaxis por alfo georg wilhelm - Feb 15 2023

perspicacity of this sintaxis ejercicios de volume 2 sintaxis por alfo can be taken as competently as picked to act how to write and publish a scientific paper robert a day 1989 03 01 revista asociación de maestros de puerto rico 1949 revista española de pedagogía 1960 bibliografía general española e hispano americana 1925

sintaxis ejercicios de volume 2 sintaxis por alfonso ruiz de - Jun 19 2023

sintaxis ejercicios de volume 2 sintaxis por alfonso ruiz de aguirre by alfonso ruiz de aguirre clientes sintaxis ejercicios de 3 2 1 partez 1 cuaderno de ejercicios fle texto pdf estructura informativa sintaxis y forma lógica fórmulas en excel download silencio 2 vivir en el intento volume 2 free

problemas de física y química 4eso fluidos - Jul 08 2022

problemas de física y química 4eso fluidos problema 901 imagina que tu aula tiene 7m de ancho 8m de largo y 3m de alto calcula la masa de todo el aire contenido en el aula sabiendo que la densidad del aire es 1 2kg m³ alonsoformula com carlos alonso m d v 1 2kg m³ 168m³

financial accounting made simple volume 1 pdf uniport edu - Dec 26 2021

web jul 30 2023 accounting made simple volume 1 as well as evaluation them wherever you are now basic accounting concepts principles and procedures 2ed volume 1

details for financial accounting made simple baze university - Jul 13 2023

web financial accounting made simple robert o igben material type text publication details nigeria roi publishers 2009 edition 3rd edition vol 2 description vi 371p ill 25cm

financial accounting made simple volume 1 download only - Feb 25 2022

web the only way to pack a topic such as accounting into just 100 pages is to be as brief as possible in other words the goal is not to turn you into an expert with 100 pages it s

financial accounting made simple volume 1 pdf uniport edu - Nov 24 2021

web aug 7 2023 financial accounting made simple volume 1 is available in our book collection an online access to it is set as public so you can download it instantly our

financial accounting made simple volume 1 pdf uniport edu - Sep 03 2022

web this book is designed for those people as well as for students that may need a little more help to understand their accounting class principles of accounting is designed to meet

financial accounting made simple volume 1 pdf uniport edu - May 31 2022

web frank wood s business accounting volume 1 intermediate financial accounting accounting made simple accounting made simple financial accounting

koha online catalog details for financial accounting made - Mar 09 2023

web financial accounting made simple vol 1 by robert orighotsuwa igben material type text publication details lagos nigeria roi publishers 2014 description vi 432 p

accounting made simple accounting explained in 100 pdf - Jan 27 2022

web jul 27 2023 financial accounting made simple volume 1 2 12 downloaded from uniport edu ng on july 27 2023 by guest demystified is the definitive user friendly guide

[accounting made simple accounting explained in](#) - Oct 04 2022

web financial accounting made simple volume 1 is available in our book collection an online access to it is set as public so you can get it instantly our digital library hosts in multiple

[accounting made simple accounting explained in 100 pages or](#) - Mar 29 2022

web success next door to the notice as well as acuteness of this financial accounting made simple volume 1 can be taken as well as picked to act financial accounting made

the chartered institute of bankers of nigeria - Dec 06 2022

web financial accounting made simple vol 1 5th edition isbn 9789002481 note we strive to get your items to you in the best condition but in the unlikely event that you wish

[financial accounting made simple bookly ng](#) - Apr 10 2023

web buy financial accounting made simple on bookly ng your online marketplace for books learning resources we offer nationwide delivery

principles of accounting volume 1 financial accounting - Jul 01 2022

web jul 26 2023 financial accounting made simple volume 1 1 10 downloaded from uniport edu ng on july 26 2023 by guest financial accounting made simple volume

robert o igben author of financial accounting made simple - Feb 08 2023

web robert o igben is the author of financial accounting made simple 3 85 avg rating 54 ratings 10 reviews and advanced accounting made simple 3 73 avg

financial accounting made simple volume 1 pdf uniport edu - Aug 02 2022

web jun 3 2019 1 online resource 1045 pages principles of accounting is designed to meet the scope and sequence requirements of a two semester accounting course that covers

staff view financial accounting made simple vol 1 library - Jun 12 2023

web financial accounting made simple vol 1 in this edition chapters 25 to 28 of the 4th edition dealing with issue and redemption of shares and debentures have been

[financial accounting made simple volume 1 pdf uniport edu](#) - Oct 24 2021

details for financial accounting made simple vol 1 redeemer s - May 11 2023

web financial accounting made simple vol 1 robert o igben by igben robert o publication details roi publishers 2014 iso

lagos edition 4th ed description vi 432p ill isbn

financial accounting made simple fully ifrs compliant vol - Aug 14 2023

web financial accounting made simple fully ifrs compliant vol 1 6th edition by robert o igben this is the 6th edition of financial accounting made simple which has been

financialaccountingmadesimplevolume1 pdf logs erpNext - Apr 29 2022

web dec 1 2008 easy to read book explaining accounting at a beginner s level mike piper s accounting made simple is exactly what it says the book contains the very basic

principles of accounting volume 1 financial accounting - Jan 07 2023

web principles of accounting volume 1 financial accounting openstax book details instructor resources student resources get the book table of contents view online

loading interface goodreads - Nov 05 2022

web discover and share books you love on goodreads

ludwig van beethoven klaviersonate nr 14 op 27 nr 2 in cis - Jul 23 2023

jun 2 2014 maurizio pollini piano 19911 adagio sostenuto attacca 6 222 allegretto attacca 2 163 presto agitato 7 11

sonate für klavier nr 14 cis moll op 27 2 mondschein sonate - Jul 11 2022

sonate für klavier nr 14 cis moll op 27 nr 2 mondscheinsonate song by evelyne dubourg now on jiosaavn german music album 100 meisterwerke der klassischen musik

sonate für klavier nr 14 cis moll op 27 2 mondschein sonate - Dec 16 2022

sonate fur klavier nr 14 cis moll op 27 2 mondsch 5 5 as the moonlight sonata during his lifetime the name has its origins in 1832 in remarks by the german music critic ludwig

klaviersonate nr 14 beethoven - Sep 25 2023

sep 21 2021 provided to youtube by sony music labels inc klaviersonate nr 14 cis moll op 27 2 sonata quasi una fantasia mondschein klaviersonate nr 14 cis moll

sonate für klavier nr 14 cis moll op 27 2 - May 21 2023

provided to youtube by paradise entertainment distribution gmbhsonate für klavier nr 14 cis moll op 27 nr 2

mondscheinsonate evelyne dubourg eve about

sonate für klavier nr 14 cis moll op 27 2 mondschein sonate - Sep 13 2022

sonate für klavier nr 14 cis moll op 27 2 mondschein sonate urtext sonata quasi una fantasia edition peters fischer johannes beethoven ludwig van isbn 9790014107789

sonate fur klavier nr 14 cis moll op 27 2 mondsch 2022 - Oct 14 2022

sonate nr 14 cis moll op 27 2 mondscheinsonate klavier musiknoten 1 august 1953 französisch ausgabe von ludwig van beethoven autor hrsg bertha antonia wallner autor
klaviersonate nr 14 mozart wikipedia - Dec 04 2021

beethoven video sonate nr 14 g henle verlag - Feb 18 2023

jul 1 2022 sonate für klavier nr 14 cis moll op 27 2 mondschein sonate urtext sonata quasi una fantasia edition peters fischer johannes beethoven ludwig van

pollini beethoven piano sonata no 14 cis moll op 27 no 2 - Jun 22 2023

feb 15 2020 dieses notenheft enthält die originalnoten zum klassischen stück klaviersonate nr 14 in cis moll opus 27 2 aka mondscheinsonate für klavier instrume

sonate nr 14 cis moll op 27 2 mondscheinsonate klavier - Aug 12 2022

jun 17 2023 sonate für klavier nr 14 cis moll op 27 2 mondschein sonate urtext sonata quasi una fantasia by johannes fischer ludwig van beethoven die klaviersonate nr 14 op

sonate für klavier nr 14 cis moll op 27 2 mondschein sonate - Apr 08 2022

jul 3 2023 sonate für klavier nr 14 cis moll op 27 2 mondsch 2 5 downloaded from uniport edu ng on july 3 2023 by guest source materials such as sketches and

sonate für klavier nr 14 cis moll op 27 2 mondschein sonate - Mar 07 2022

sonate für klavier nr 14 cis moll op 27 2 mondsch walzer cis moll op 64 2 jan 05 2023 das neue musiklexikon jun 29 2022 beethoveniana dec 12 2020 sonate op 27 no 2

sonate für klavier nr 14 cis moll op 27 nr 2 - Nov 15 2022

sonate für klavier nr 14 cis moll op 27 2 mondschein sonate urtext paperback sonata quasi una fantasia sonate für klavier nr 14 cis moll op 27 2 mondschein

sonate für klavier nr 14 cis moll op 27 2 mondsch pdf - Feb 06 2022

die sonate nr 14 c moll kv 457 ist eine klaviersonate von wolfgang amadeus mozart mit der fantasie c moll kv 475 bildet sie ein für sein Œuvre außergewöhnliches doppelwerk das

klaviersonate nr 14 in cis moll ludwig van beethoven - Apr 20 2023

klaviersonate nr 14 cis moll op 27 nr 2 mondscheinsonate herausgeber norbert gertsch murray perahia urtextausgabe broschiert hn 1062 herausgeber norbert gertsch und

sonate für klavier nr 14 cis moll op 27 2 mondschein sonate - Jun 10 2022

jun 10 2023 sonate für klavier nr 14 cis moll op 27 2 mondschein sonate für klavier mondscheinsonate nr 14 in cis moll

ludwig van beethoven klaviersonaten nr 1 32

sonate no 14 für klavier in c minor k 457 spotify - Nov 03 2021

sonate für klavier nr 14 cis moll op 27 nr 2 jiosaavn - May 09 2022

beethoven sonate für klavier nr 14 cis moll op 27 2 mondschein sonate 1801 sonata quasi una fantasia urtextausgabe
lieferung gegen rechnung ab 20 eur portofrei deutschland ludwig van

sonate für klavier nr 14 cis moll op 27 2 mondschein sonate - Jan 17 2023

listen to sonate für klavier nr 14 cis moll op 27 nr 2 mondscheinsonate on spotify morgenrot song 2006

read free sonate für klavier nr 14 cis moll op 27 2 mondschein - Jan 05 2022

listen to sonate no 14 für klavier in c minor k 457 on spotify korte song 2008 korte song 2008 listen to sonate no 14 für
klavier in c minor k 457 on spotify korte song

sonate für klavier nr 14 cis moll op 27 nr 2 youtube - Mar 19 2023

um die fantasie sonate op 27 nr 2 im volksmund mondscheinsonate genannt rankt sich eine fülle von legenden und
betrachtungen die neuausgabe des beliebten werks beruht auf der

klaviersonate nr 14 cis moll op 27 2 sonata quasi una fantasia - Aug 24 2023

dec 2 2019 die um 1802 komponierten klaviersonate nr 14 op 27 nr 2 in cis moll hebt sich insbesondere von anderen
kompositionen ab da sie die fantasie der hörer anregt bzw beflügelt