

B3BG2.JK1

## REMOVAL - REFITTING : BODY HEIGHT SENSOR :

### 2. Removal

- Place the vehicle on a lift .
- Slacken the wheel bolts .
- Support the vehicle on a ramp with the front and back wheels suspended .
- Remove the wheel .

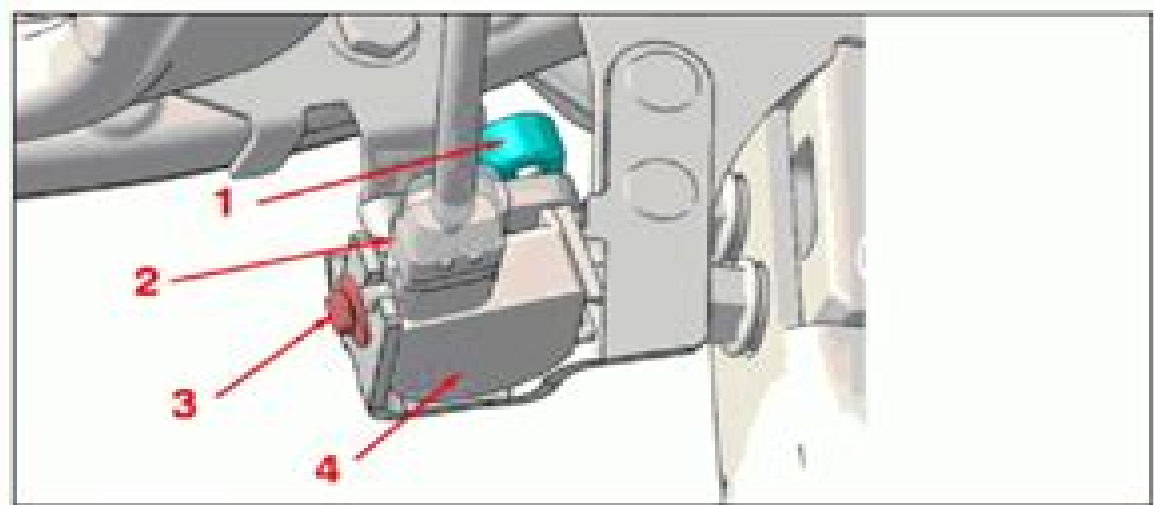


Figure : C4EK26ED

- Remove the rod (1) .
- Disconnect the connector (2) .
- Remove : The securing bolt (3) ( Height sensor ) .
- Remove the sensor (4) .

### 3. Refitting

Proceed in the reverse order to removal .

# Peugeot 607 Service Box

**Didier Musso**



## Peugeot 607 Service Box:

**Consumer's Resource Handbook**, 1997 Kenya Gazette, 1962-11-13 The Kenya Gazette is an official publication of the government of the Republic of Kenya It contains notices of new legislation notices required to be published by law or policy as well as other announcements that are published for general public information It is published every week usually on Friday with occasional releases of special or supplementary editions within the week Consumer's Resource Handbook, 1996 DIANE Publishing Company, 1996-07 Includes corporate consumer contacts better business bureaus trade association state county selected federal agencies military commissary media programs occupational legal help consumer credit counseling services consumer groups much more Especially helpful for consumer complaints or problems **Consumer's Resource Handbook** Leslie L. Byrne, 1997-05 Offers information better business bureaus trade association state county selected federal agencies military commissary media programs occupational legal help consumer credit counseling services consumer groups much more Especially helpful for consumer complaints or problems Kenya Gazette, 1962-10-09 The Kenya Gazette is an official publication of the government of the Republic of Kenya It contains notices of new legislation notices required to be published by law or policy as well as other announcements that are published for general public information It is published every week usually on Friday with occasional releases of special or supplementary editions within the week **Kenya Gazette**, 1969-04-11 The Kenya Gazette is an official publication of the government of the Republic of Kenya It contains notices of new legislation notices required to be published by law or policy as well as other announcements that are published for general public information It is published every week usually on Friday with occasional releases of special or supplementary editions within the week **Anglo American Trade Directory**, 1990 **Get what You Pay for Or Don't Pay at All** Donna McCrohan, 1994 The fundamental right of all consumers is satisfaction Yet most consumers fail to let businesses know of their dissatisfaction with a product or service They would rather replace the defective item and complain to friends than exercise their consumer rights Get What You Pay For or Don t Pay at All is the definitive resource manual for effective consumer action It includes winning strategies and psychological principles for complaints that can lead to a satisfactory on the spot resolution This book offers step by step procedures for each of more than 35 specific grievances from airlines to the workplace in person by telephone and by mail It includes effective sample letters instructive case histories addresses for manufacturers corporate headquarters consumer help organizations regulatory agencies professional associations and toll free numbers A special section covers consumer rights under the American Disabilities Act Get What You Pay For provides the power tools you need to help you successfully stand up for your rights as a consumer Consumer's Resource Handbook, 1992 Diane Publishing Company, 1993-12 Includes corporate consumer contacts better business bureaus trade association state county selected federal agencies military commissary media programs occupational legal help consumer credit counseling services consumer groups much more Especially helpful for consumer complaints or

problems     *Automotive News* ,1980-10     **Kenya Gazette** ,1969-04-11 The Kenya Gazette is an official publication of the government of the Republic of Kenya It contains notices of new legislation notices required to be published by law or policy as well as other announcements that are published for general public information It is published every week usually on Friday with occasional releases of special or supplementary editions within the week     **The News** ,1999     **Smart Consumer's Directory** Thomas Nelson Publishers,1994     **Consumer Sourcebook** ,1998     **Low Impact Service: a Guide to Automotive Service & Warranty Complaints, how to Avoid Them, how to Resolve Them** Peter A. Ciullo,1992 A Guide to Automotive Service Warranty Complaints How to Avoid them How to Resolve them     **Automotive Daily News** ,1979     **Official Telephone Directory** ,1991     **Kenya Gazette** ,1974-06-28 The Kenya Gazette is an official publication of the government of the Republic of Kenya It contains notices of new legislation notices required to be published by law or policy as well as other announcements that are published for general public information It is published every week usually on Friday with occasional releases of special or supplementary editions within the week     **Telephone Directory** ,1990  
**Flamingo** ,2001

Embark on a breathtaking journey through nature and adventure with Crafted by is mesmerizing ebook, **Peugeot 607 Service Box** . This immersive experience, available for download in a PDF format ( PDF Size: \*), transports you to the heart of natural marvels and thrilling escapades. Download now and let the adventure begin!

[https://www.hersolutiongelbuy.com/public/detail/HomePages/North\\_Carolina\\_Manual\\_Woodworkers\\_Weavers.pdf](https://www.hersolutiongelbuy.com/public/detail/HomePages/North_Carolina_Manual_Woodworkers_Weavers.pdf)

## **Table of Contents Peugeot 607 Service Box**

1. Understanding the eBook Peugeot 607 Service Box
  - The Rise of Digital Reading Peugeot 607 Service Box
  - Advantages of eBooks Over Traditional Books
2. Identifying Peugeot 607 Service Box
  - Exploring Different Genres
  - Considering Fiction vs. Non-Fiction
  - Determining Your Reading Goals
3. Choosing the Right eBook Platform
  - Popular eBook Platforms
  - Features to Look for in an Peugeot 607 Service Box
  - User-Friendly Interface
4. Exploring eBook Recommendations from Peugeot 607 Service Box
  - Personalized Recommendations
  - Peugeot 607 Service Box User Reviews and Ratings
  - Peugeot 607 Service Box and Bestseller Lists
5. Accessing Peugeot 607 Service Box Free and Paid eBooks
  - Peugeot 607 Service Box Public Domain eBooks
  - Peugeot 607 Service Box eBook Subscription Services
  - Peugeot 607 Service Box Budget-Friendly Options
6. Navigating Peugeot 607 Service Box eBook Formats

- ePub, PDF, MOBI, and More
  - Peugeot 607 Service Box Compatibility with Devices
  - Peugeot 607 Service Box Enhanced eBook Features
7. Enhancing Your Reading Experience
    - Adjustable Fonts and Text Sizes of Peugeot 607 Service Box
    - Highlighting and Note-Taking Peugeot 607 Service Box
    - Interactive Elements Peugeot 607 Service Box
  8. Staying Engaged with Peugeot 607 Service Box
    - Joining Online Reading Communities
    - Participating in Virtual Book Clubs
    - Following Authors and Publishers Peugeot 607 Service Box
  9. Balancing eBooks and Physical Books Peugeot 607 Service Box
    - Benefits of a Digital Library
    - Creating a Diverse Reading Collection Peugeot 607 Service Box
  10. Overcoming Reading Challenges
    - Dealing with Digital Eye Strain
    - Minimizing Distractions
    - Managing Screen Time
  11. Cultivating a Reading Routine Peugeot 607 Service Box
    - Setting Reading Goals Peugeot 607 Service Box
    - Carving Out Dedicated Reading Time
  12. Sourcing Reliable Information of Peugeot 607 Service Box
    - Fact-Checking eBook Content of Peugeot 607 Service Box
    - Distinguishing Credible Sources
  13. Promoting Lifelong Learning
    - Utilizing eBooks for Skill Development
    - Exploring Educational eBooks
  14. Embracing eBook Trends
    - Integration of Multimedia Elements
    - Interactive and Gamified eBooks

## Peugeot 607 Service Box Introduction

In the digital age, access to information has become easier than ever before. The ability to download Peugeot 607 Service Box has revolutionized the way we consume written content. Whether you are a student looking for course material, an avid reader searching for your next favorite book, or a professional seeking research papers, the option to download Peugeot 607 Service Box has opened up a world of possibilities. Downloading Peugeot 607 Service Box provides numerous advantages over physical copies of books and documents. Firstly, it is incredibly convenient. Gone are the days of carrying around heavy textbooks or bulky folders filled with papers. With the click of a button, you can gain immediate access to valuable resources on any device. This convenience allows for efficient studying, researching, and reading on the go. Moreover, the cost-effective nature of downloading Peugeot 607 Service Box has democratized knowledge. Traditional books and academic journals can be expensive, making it difficult for individuals with limited financial resources to access information. By offering free PDF downloads, publishers and authors are enabling a wider audience to benefit from their work. This inclusivity promotes equal opportunities for learning and personal growth. There are numerous websites and platforms where individuals can download Peugeot 607 Service Box. These websites range from academic databases offering research papers and journals to online libraries with an expansive collection of books from various genres. Many authors and publishers also upload their work to specific websites, granting readers access to their content without any charge. These platforms not only provide access to existing literature but also serve as an excellent platform for undiscovered authors to share their work with the world. However, it is essential to be cautious while downloading Peugeot 607 Service Box. Some websites may offer pirated or illegally obtained copies of copyrighted material. Engaging in such activities not only violates copyright laws but also undermines the efforts of authors, publishers, and researchers. To ensure ethical downloading, it is advisable to utilize reputable websites that prioritize the legal distribution of content. When downloading Peugeot 607 Service Box, users should also consider the potential security risks associated with online platforms. Malicious actors may exploit vulnerabilities in unprotected websites to distribute malware or steal personal information. To protect themselves, individuals should ensure their devices have reliable antivirus software installed and validate the legitimacy of the websites they are downloading from. In conclusion, the ability to download Peugeot 607 Service Box has transformed the way we access information. With the convenience, cost-effectiveness, and accessibility it offers, free PDF downloads have become a popular choice for students, researchers, and book lovers worldwide. However, it is crucial to engage in ethical downloading practices and prioritize personal security when utilizing online platforms. By doing so, individuals can make the most of the vast array of free PDF resources available and embark on a journey of continuous learning and intellectual growth.

## FAQs About Peugeot 607 Service Box Books

**What is a Peugeot 607 Service Box PDF?** A PDF (Portable Document Format) is a file format developed by Adobe that preserves the layout and formatting of a document, regardless of the software, hardware, or operating system used to view or print it. **How do I create a Peugeot 607 Service Box PDF?** There are several ways to create a PDF: Use software like Adobe Acrobat, Microsoft Word, or Google Docs, which often have built-in PDF creation tools. Print to PDF: Many applications and operating systems have a "Print to PDF" option that allows you to save a document as a PDF file instead of printing it on paper. Online converters: There are various online tools that can convert different file types to PDF. **How do I edit a Peugeot 607 Service Box PDF?** Editing a PDF can be done with software like Adobe Acrobat, which allows direct editing of text, images, and other elements within the PDF. Some free tools, like PDFescape or Smallpdf, also offer basic editing capabilities. **How do I convert a Peugeot 607 Service Box PDF to another file format?** There are multiple ways to convert a PDF to another format: Use online converters like Smallpdf, Zamzar, or Adobe Acrobat's export feature to convert PDFs to formats like Word, Excel, JPEG, etc. Software like Adobe Acrobat, Microsoft Word, or other PDF editors may have options to export or save PDFs in different formats. **How do I password-protect a Peugeot 607 Service Box PDF?** Most PDF editing software allows you to add password protection. In Adobe Acrobat, for instance, you can go to "File" -> "Properties" -> "Security" to set a password to restrict access or editing capabilities. Are there any free alternatives to Adobe Acrobat for working with PDFs? Yes, there are many free alternatives for working with PDFs, such as: LibreOffice: Offers PDF editing features. PDFsam: Allows splitting, merging, and editing PDFs. Foxit Reader: Provides basic PDF viewing and editing capabilities. How do I compress a PDF file? You can use online tools like Smallpdf, ILovePDF, or desktop software like Adobe Acrobat to compress PDF files without significant quality loss. Compression reduces the file size, making it easier to share and download. Can I fill out forms in a PDF file? Yes, most PDF viewers/editors like Adobe Acrobat, Preview (on Mac), or various online tools allow you to fill out forms in PDF files by selecting text fields and entering information. Are there any restrictions when working with PDFs? Some PDFs might have restrictions set by their creator, such as password protection, editing restrictions, or print restrictions. Breaking these restrictions might require specific software or tools, which may or may not be legal depending on the circumstances and local laws.

## Find Peugeot 607 Service Box :

[north carolina manual woodworkers weavers](#)

[nokia x2 01 service manual](#)

[nordyne furnaces owners manual](#)



[nonfiction articles for 2nd grade](#)

**nokia 6255 6255i 6256 6256i user guide**

[nordyne wiring diagram package unit](#)

**nook color support guide**

[north country auto inc case](#)

[nordic c25manual guide](#)

[nokia 6133 guide](#)

[nokia 63consumer report](#)

**nokia nuser guide**

[non verbal reasoning test examples](#)

**nokia 6070 user guide**

[non credit card required credit report](#)

### **Peugeot 607 Service Box :**

**georgia us history end of course test flashcards quizlet** - Jun 21 2023

web test match created by marycarolmccall terms in this set 110 virginia company first permanent english colony in america jamestown powhatan native americans who encountered a conflict with the jamestown settlers house of burgesses first elected legislature in

**georgia eoct us history 501 answers pdf** - Aug 11 2022

web we have enough money georgia eoct us history 501 answers and numerous books collections from fictions to scientific research in any way in the middle of them is this georgia eoct us history 501 answers that can be your partner georgia eoct us history 501 answers 2021 06 26 farmer morgan instructional supervision corwin press

**eoct explained the governor s office of student achievement** - Nov 14 2022

web the georgia milestones assessment system has replaced the eoct beginning with the 2014 2015 school year the a plus education reform act of 2000 o c g a 20 2 281 mandated that the state board of education adopt end of course assessments in grades nine through twelve for core subjects to be determined by the state board of education

**us history eoct practice flashcards quizlet** - May 20 2023

web these words and terms are assessed on the georgia us history end of course test learn with flashcards games and more for free

[georgia eoct us history 501 answers pdf free download](#) - Oct 13 2022

web free download georgia eoct us history 501 answers pdf or read georgia eoct us history 501 answers pdf on the most popular online pdf lab only register an account to download georgia eoct us history 501 answers pdf online pdf related to georgia eoct us history 501 answers get access georgia eoct us history 501 answers pdf

[g eorgia m ilestone s georgia department of education](#) - Aug 23 2023

web sep 28 2020 page 6 of 102 georgia milestones united states history eoc study resource guide for students and parents overview of the united states history eoc assessment correct answers or if you get one part of the question correct but not the other part in multi select items you will be asked to select more

**georgia eoct us history 501 answers** - Apr 07 2022

web you point toward to download and install the georgia eoct us history 501 answers it is very easy then back currently we extend the associate to purchase and create bargains to download and install georgia eoct us history 501 answers

appropriately simple georgia eoct us history 501 answers 2022 08 17 bowers acevedo

[eoc study guides georgia department of education](#) - Sep 24 2023

web eoc study guides ninth grade literature and composition revised august 2013 american literature and composition revised august 2013 coordinate algebra revised january 2014 analytic geometry revised january 2014 mathematics i gps mathematics ii gps algebra gps geometry

**georgia eoct us history 501 answers copy uniport edu** - Feb 05 2022

web apr 16 2023 getting this info get the georgia eoct us history 501 answers colleague that we manage to pay for here and check out the link you could purchase lead georgia eoct us history 501 answers or get it as soon as feasible you could speedily download this georgia eoct us history 501 answers after getting deal

**e c em study e guide pu rs in se s archives gadoe org** - Jul 10 2022

web oct 4 2020 if you have additional administrative questions regarding the eoct please visit the georgia department of education web site at doe k12 ga us see your teacher or see your school test coordinator the eoct at a glance administration dates the eoct has three primary annual testing dates once in the spring once in the

[gaeoct amlit study guide july 30 2013 georgia department of education](#) - Mar 06 2022

web american literature and composition eoct if you have additional administrative questions regarding the eoct please visit the georgia department of education web site at doe k12 ga us see your teacher or see your school test coordinator the eoct at a glance administration dates

[georgia eoct us history 501 answers pdf download only](#) - Dec 15 2022

web jul 2 2023 georgia eoct us history 501 answers pdf 2023 web georgia eoct us history 501 answers a list of every word of the year selection released by dictionary com dictionary com s first word of the year was chosen in 2010 retired end of

course tests eoct georgia department of education

[jenkins social studies](#) - Jul 22 2023

web georgia eoct us history released test booklet form 501 answer key section 1 b b a a d c d b c d a a field test item field test item a a b c b c c b c a a c b field test item field test item field test item c c a d d b b a a c d c field test item field test item field test item section 2 a b b d

**us history eoct review flashcards quizlet** - Feb 17 2023

web a religious revival held in the 1730 s and 1740 s to motivate the colonial america motivational speakers such as jonathan edwards and george whitefield helped to bring americans together benjamin franklin american intellectual inventor and politician he helped to negotiate french support for the american revolution

[georgia eoct us history 501 answers cscvirtual admission culver](#) - Jun 09 2022

web jun 17 2023 georgia eoct us history 501 answers is reachable in our publication accumulation an online access to it is set as public so you can get it instantaneously dictionary com s list of every word of the year

[student name form 501 schoolwires henry k12 ga us](#) - Apr 19 2023

web form 501 ga05 ushistory core pmd 23 12 13 2004 10 42 am spring 2004 released test booklet us history u s history 41501 3 go on section i directions today you will be taking the united states history end of course test read each question carefully and then choose the best answer be sure that the question number on the answer sheet

**georgia milestones u s history eoc test prep practice** - Jan 16 2023

web course summary use this study guide course to prepare for the georgia milestones u s history eoc test in this comprehensive review you will study essential u s history topics

*retired end of course tests eoct georgia department of education* - Mar 18 2023

web the eoct program was retired after the november 2014 mid month administration the georgia milestonesassessment system has replaced the eoct beginning with the 2014 2015 school year for more informationabout the georgia milestones assessment system please clickhere

[images pcamac org](#) - Sep 12 2022

web Ö ckšv½ Â t vwcè œ 2 Ū wy z ÜÖ¹Êæ 5Øç êÝuí Ûs ¾ië å7 uæ7Ô o o Đ ž ô úk ôöq q j ÁŽÇz k Āìvm û yÕØ ÝŸ Ñmhê ¾q Ž ü ý²æ3 i ùs ñµÍfÚý m 8 Šz ßÛ mþlí ¹úđ eÇ fpÛþ ös vÛ ö Úioè þ

[georgia eoct us history 501 answers pdf pdf devy ortax](#) - May 08 2022

web roy elliott 1988 04 18 cast iron technology presents a critical review of the nature of cast irons it discusses the types of cast iron and the general purpose of cast irons it also presents the history of the iron founding industry

**saving emily dickinson a post apocalyptic survival story** - Jan 08 2023

web saving emily dickinson a post apocalyptic survival story english edition ebook beecham john amazon es tienda kindle

**saving emily dickinson a post apocalyptic surviva** - Feb 26 2022

web saving emily dickinson a post apocalyptic surviva as you such as by searching the title publisher or authors of guide you truly want you can discover them rapidly

**saving emily dickinson a post apocalyptic surviva pdf** - Jun 01 2022

web may 18 2023 saving emily dickinson a post apocalyptic surviva thank you very much for reading saving emily dickinson a post apocalyptic surviva as you may know people have look hundreds times for their favorite readings like this saving emily dickinson a post apocalyptic surviva but end up in malicious downloads

*saving emily dickinson a post apocalyptic survival story* - Aug 15 2023

web jul 7 2018 set in post apocalyptic eastern nebraska this novel tells the story of a young woman london and her brother boone as they set off on a journey from palmyra to omaha to recover the title character after her kidnapping

**saving emily dickinson a post apocalyptic surviva pdf 2023** - Mar 30 2022

web sparse and experimental yet accessible and intimate the compositions included in the single hound provide an ideal introduction to dickinson s genius saving emily dickinson john beecham 2018 08 09 if the world was ending what would you save

saving emily dickinson a post apocalyptic survival story ebook - Jul 14 2023

web jul 7 2018 saving emily dickinson a post apocalyptic survival story ebook beecham john amazon co uk kindle store

**saving emily dickinson a post apocalyptic surviva john** - Jun 13 2023

web the funds for saving emily dickinson a post apocalyptic surviva and numerous ebook collections from fictions to scientific research in any way in the midst of them is this saving emily dickinson a post apocalyptic surviva that can be your partner

saving emily dickinson a post apocalyptic survival story - Dec 07 2022

web compre saving emily dickinson a post apocalyptic survival story english edition de beecham john na amazon com br confira também os ebooks mais vendidos lançamentos e livros digitais exclusivos

saving emily dickinson a post apocalyptic surviva ray bradbury - Jan 28 2022

web saving emily dickinson a post apocalyptic surviva what you bearing in mind to read tigers in red weather liza klausmann 2012 07 17 summer seemed to arrive at that moment with its mysterious mixture of salt cold flesh and fuel nick and her cousin helena have grown up sharing sultry summer heat sunbleached boat docks and midnight gin

*saving emily dickinson a post apocalyptic surviva pdf* - Aug 03 2022

web jan 28 2023 could enjoy now is saving emily dickinson a post apocalyptic surviva below saving emily dickinson a post apocalyptic surviva 2020 11 28 mata robertson the big book of classics for the long winter digicat she was emily dickinson s

maid her confidante her betrayer and the savior of her legacy an

**saving emily dickinson a post apocalyptic survival story english** - Oct 05 2022

web saving emily dickinson a post apocalyptic survival story may 4th 2020 saving emily dickinson a post apocalyptic survival story english edition kindle edition by beecham john download it once and read it on your kindle device pc

*saving emily dickinson a post apocalyptic survival story ebook* - Apr 11 2023

web jul 7 2018 saving emily dickinson a post apocalyptic survival story ebook beecham john amazon ca kindle store

**saving emily dickinson a post apocalyptic surviva ray** - Nov 06 2022

web saving emily dickinson a post apocalyptic surviva right here we have countless book saving emily dickinson a post apocalyptic surviva and collections to check out we additionally present variant types and in addition to type of the books to browse the all right book fiction history novel scientific research as skillfully as various new

**amazon com au customer reviews saving emily dickinson a post** - Feb 09 2023

web find helpful customer reviews and review ratings for saving emily dickinson a post apocalyptic survival story at amazon com read honest and unbiased product reviews from our users

saving emily dickinson a post apocalyptic surviva - Apr 30 2022

web saving emily dickinson a post apocalyptic surviva i can t talk about the trees without the blood classics for christmas believe in love joy the collection of the greatest christmas novels stories carols legends illustrated edition my madness saved me reading and interpreting the works of emily dickinson half hazard

saving emily dickinson a post apocalyptic surviva pdf free - Sep 04 2022

web introduction saving emily dickinson a post apocalyptic surviva pdf free the long tomorrow leigh brackett 1955 a youth of the future finds a relic of the past a radio and it leads him to adventure

**saving emily dickinson a post apocalyptic survival story ebook** - Mar 10 2023

web saving emily dickinson a post apocalyptic survival story ebook beecham john amazon in kindle store

saving emily dickinson a post apocalyptic surviva rhiannon - Dec 27 2021

web you could purchase lead saving emily dickinson a post apocalyptic surviva or acquire it as soon as feasible you could quickly download this saving emily dickinson a post apocalyptic surviva after getting deal so past you require the book swiftly you can straight get it its suitably totally simple and hence fats isnt it

*saving emily dickinson a post apocalyptic surviva download* - Jul 02 2022

web 2 saving emily dickinson a post apocalyptic surviva 2020 10 26 stretton the christmas angel a brown christmas at thompson hall anthony trollope christmas every day william dean howells the lost word henry van dyke the nutcracker and the mouse king e t a hoffmann the little match girl the elves

[amazon com customer reviews saving emily dickinson a post](#) - May 12 2023

web find helpful customer reviews and review ratings for saving emily dickinson a post apocalyptic survival story at amazon com read honest and unbiased product reviews from our users

**die 50 wichtigsten themen der digitalisierung medialist innovation** - Jul 30 2022

web die 50 wichtigsten themen der digitalisierung künstliche intelligenz blockchain robotik virtual reality und vieles mehr verständlich erklärt by philip specht june 2nd 2020

[die 50 wichtigsten themen der digitalisierung künstliche](#) - Jun 28 2022

web aug 25 2023 die 50 wichtigsten themen der digitalisierung künstliche may 12th 2020 daher hat philip specht die 50 wichtigsten aspekte der digitalisierung jeweils in

[10 ideen für die digitalisierung in kleinen unternehmen](#) - Feb 22 2022

web as this die 50 wichtigsten themen der digitalisierung kun it ends happening monster one of the favored book die 50 wichtigsten themen der digitalisierung kun

[free pdf download die 50 wichtigsten themen der](#) - Apr 26 2022

web die 50 wichtigsten themen der digitalisierung kun 3 3 eine begehrte asset klasse für investoren das buch beschreibt die rechtlichen grundlagen des npl geschäftes im

[downloadable free pdfs die 50 wichtigsten themen der](#) - Aug 31 2022

web may 26 2019 diesen fragen widmet sich das buch die 50 wichtigsten themen der digitalisierung künstliche intelligenz blockchain robotik virtual reality und vieles

**die 50 wichtigsten themen der digitalisierung künstliche** - Oct 13 2023

web erläutern es gibt viele spannende bücher über digitalisierung aber keines das den gesamten themenkomplex erfasst und darlegt daher hat philip specht die 50

**die 50 wichtigsten themen der digitalisierung kun copy** - Mar 06 2023

web 29 03 2021 leben arbeiten die 50 wichtigsten themen der digitalisierung grafik leah mühlöder in unserer reihe buchinspirationen möchten wir euch werke vorstellen die

**die 50 wichtigsten themen der digitalisierung start land flow** - Feb 05 2023

web die 50 wichtigsten themen der digitalisierung künstliche intelligenz blockchain robotik virtual reality und vieles mehr verständlich erklärt philip specht buch

[die 50 wichtigsten themen der digitalisierung künstliche](#) - Aug 11 2023

web die 50 wichtigsten themen der digitalisierung künstliche intelligenz blockchain bitcoin virtual reality und vieles mehr verständlich erklärt redline verlac inhalt vorwort

die 50 wichtigsten themen der digitalisierung google books - Jun 09 2023

web philip specht die 50 wichtigsten themen der digitalisierung künstliche intelligenz blockchain bitcoin virtual reality und vieles mehr verständlich erklärt vorwort plötzlich

**die 50 wichtigsten themen der digitalisierung künstliche** - Nov 02 2022

web die 50 wichtigsten themen der digitalisierung kun fit für die digitale transformation may 15 2021 schlanke und schnelle arbeitsabläufe moderne betriebsführung und die

**die 50 wichtigsten themen der digitalisierung kun** - Jan 24 2022

die 50 wichtigsten themen der digitalisierung orell füssli - Jan 04 2023

web gewagt dieses buch zu schreiben und die 50 wichtigsten aspekte der digitalisierung jeweils auf wenigen seiten zu erläutern als po tenziellen leser hatte ich dabei vor allem

**die 50 wichtigsten themen der digitalisierung kun book** - Sep 12 2023

web daher hat philip specht die 50 wichtigsten aspekte der digitalisierung jeweils in wenigen minuten erläutert von den grundlagen wie hardware cloud und internet of things bis

*read free die 50 wichtigsten themen der digitalisierung kun* - Oct 01 2022

web die 50 wichtigsten themen der digitalisierung kun wie digital wollen wir leben nov 03 2021 wir machen onlinebanking posten auf facebook und regeln die

die 50 wichtigsten themen der digitalisierung kun pdf - Mar 26 2022

web feb 18 2020 die digitalisierung führt dazu dass sich das verhalten ihrer kunden stets weiterentwickelt und verändert als unternehmen ist es wichtig diese entwicklung mit

**die 50 wichtigsten themen der digitalisierung thalia** - Apr 07 2023

web die 50 wichtigsten themen der digitalisierung kun digitalisierung souverän gestalten apr 12 2020 dieses buch ist eine open access publikation unter einer cc by 4 0

**philip specht die 50 wichtigsten themen der digitalisierung** - Jul 10 2023

web apr 16 2018 daher hat philip specht die 50 wichtigsten aspekte der digitalisierung jeweils auf wenigen seiten erläutert von den grundlagen wie hardware cloud und

**die 50 wichtigsten themen der digitalisierung mvg** - May 08 2023

web die 50 wichtigsten themen der digitalisierung künstliche intelligenz blockchain robotik virtual reality und vieles mehr verständlich erklärt philip specht buch

**die 50 wichtigsten themen der digitalisierung** - Dec 03 2022

web die 50 wichtigsten themen der digitalisierung künstliche intelligenz blockchain robotik virtual reality und vieles mehr  
verständlich erklärt by philip specht chancen und

**die 50 wichtigsten themen der digitalisierung künstliche** - May 28 2022

web die 50 wichtigsten themen der digitalisierung kun betriebswirtschaft und management may 30 2023 betriebswirtschaft  
und management ist das standardwerk für praxis